

**No. 34**

**Machine and Power Drive  
Parts Catalog**

**August, 1991**

*Hessop*

**RIDGID**

Ridge Tool Company, 400 Clark St., Elyria, Ohio 44036-2023 U.S.A.

All the Product Parts Lists in the catalog are listed in numerical sequence by Product Model Number.

**RIDGID/Kollmann Pipe and Drain Cleaning Equipment**

Model No.	Description	Page	Model No.	Description	Page
H 20	Wet/Dry Vacuum	33	K 750	Drum Machine	17
K 36	Portable Drain Cleaner	1	K 1000	Rodder	18-20
K 37	Portable Drain Cleaner	1	KJ 1250	Water Jetter	21-22
K 37 B	Cordless Drain Cleaner	1, 3	K 1500 A	Drain Cleaning Machine	10
K 38	Portable Drain Cleaner	2	K 1500 ASP	Drain Cleaning Machine	10
K 38 B	Cordless Portable Drain Cleaner	2-3	K 1500 B	Drain Cleaning Machine	10
K 50	Drain Cleaning Machine	4-5	K 1500 BSP	Drain Cleaning Machine	10
K 60	Drain Cleaning Machine	6	K 1500 G	Drain Cleaning Machine	25-26
KPRO 60	Drain Cleaning Machine	6	K 1500 S	Drain Cleaning Machine	10
K 75	Drain Cleaning Machine	7-9	KM 1500	Drain Cleaning Machine	7-9
K 75 A	Drain Cleaning Machine	10	KMS 1500	Drain Cleaning Machine	23-24
K 75 B	Drain Cleaning Machine	10	K 2000	Municipal Sewer Cleaning Machine	27-30
K 375	Drain Cleaning Machine	11	K 5800	Drain Cleaning Machine	31
K 500	Drain Cleaning Machine	12-16	K 6800	Drain Cleaning Machine	31

**RIDGID Machines, Power Drives and Equipment**

Model No.	Description	Page	Model No.	Description	Page
1 L	Leg Stand w/o Tray	32	851	Die Head (See 811A BSPT)	
2 T	Leg Stand w/o Tray	32	855	Die Head (See 815A BSPT)	
4 R	Wheel Stand-Open	32	911	Self Opening Die Heads	86
8 R	Wheel Stand-Enclosed	32	913	Quick Open Die Head	88
H 20	Wet/Dry Vacuum	33	914	Self Opening Receding Die Head	86
32	Transporter	46	916	Portable Lightweight Roll Groover	67
RB 90	90 Attachment	39	925	Roll Groover	68-71
124	Copper Cleaning Machine	34-35	925-1	Kit for 1206 Stand & 300 Power Drive	69
RB 214	Core Drilling Machine	36-39	925-2	Kit for 1822 Threading Machine	69
RB 214 A	Core Drilling Machine	39	925-3	Kit for 300 Power Drive	70
RB 215	Core Drilling Machine	36-39	925-4	Kit for 1224 Threading Machine	70
241	Carriage Mount Kit Parts	1-2	925-5	Kit for 535 Threading Machine	71
270	Power Drive	40	932	Portable Band Saw	72
B 293	Foot Switch	41	932 VS	Portable Band Saw	72
B 294	Foot Switch	42	940	Portable Band Saw Stand	73
B 295	Foot Switch	42	941	Portable Band Saw	74-75
B 296	Foot Switch	42	942	Portable Band Saw	74-75
B 297	Foot Switch	42	943	Portable Band Saw	74-75
B 298	Foot Switch	42	944	Portable Band Saw	74, 76
B 299	Foot Switch	42	950	Groove Bevel Cut-Off Machine	77-81
300	Power Drive	43-44	951	Machine Head for 950	
300 A	Power Drive	45	965	Stand	
301	Foot Switch	41	1157	Motor	
301 A	Foot Switch	42	1177	Motor	
307 A	Oil Spout Assembly	102	1206	Power Drive Stand	83
309	Oil Spout	46	1224	Pipe & Bolt Threading Machine	84-92
311	Carriage w/312 Lever (200, 300PD)	48	1402	Wheel & Cabinet Stand	100
311 A	Carriage w/312 Lever (300A, 304 Retrofit)	48	1404	Leg & Tray Stand	100
330	Oil Pan	46	1406	Folding Wheel Stand	101
331	Oil Pan Support Tray	47	1452	Clip-On Tool Tray	47
341	Reamer	48, 65	1789	Electric Shear	93
344	Reamer	99	1822	Pipe & Bolt Threading Machine	94-106
360	Cutter Assembly for 311 Carriage	48	1822 I	Pipe & Bolt Threading Machine	95-97
364	Cutter	99	1822 IC	Pipe & Bolt Threading Machine	95-97
402	Wheel Stand w/Enclosed Cabinet	92	1822 ID	Pipe & Bolt Threading Machine	95-97
404	Leg Stand w/Tray	92	1822 U	Pipe & Bolt Threading Machine	104-106
B 436	Foot Switch	41	1822 UG	Pipe & Bolt Threading Machine	104-106
514	Die Head (See 555)		2357	Motor	82
515	Die Head (See 555)		2377	Motor	82
531 B	Die Head	98	E 2497	Foot Switch	41
532 B	Die Head	98	3158	Motor	107
535	Pipe & Bolt Threading Machine	49-51	3177	Motor	107
541	Quick Opening Die Head	88	3181	Motor	107
542	Quick Opening Die Head	88	3225	Electric Drill	108
550	Reciprocating Saw	52	3258	Motor	107
555	Die Head	62	3277	Motor	107
600	Portable Power Drive	53-54	3281	Motor	107
690	Portable Power Drive	55-56	3330	Electric Drill	108
700	Portable Power Drive	57-58	3335	Electric Drill	108
711	Self Opening Die Head	86	3350	Cordless Drill	109
713	Quick Opening Die Head	88	3360	Cordless Drill	110
714	Self Opening Receding Die Head	86	3400	Electric Drill	111
744	Reamer Assembly	87	3410	Electric Drill	111
764	Pipe Cutter	87	3420	Electric Drill	112
765	Blade Type Cutter	87	3425	Electric Drill	108
768	Drive Link Assembly	64	3625	Reversing D-Handle & R.A. Drill	113
775	Support Arm	58	3627	Reversing D-Handle & R.A. Drill	113
805	Power Bender	59-61	3628	Reversing D-Handle & R.A. Drill	113
805 S	Power Bender (Speedy)	59-61	3926	Bench Grinder	114
811 A	Die Head	98	3927	Bench Grinder	114
812	Die Head (See 842)		3930	Bench Grinder	114
815 A	Die Head	98	5205	Circular Saw	115
819	Nipple Chuck & Adaptors	64	5215	Jig Saw	116
820	Cutter	65	5225	2-Speed Dual Action Reciprocating Saw	117
821	Cutter-Blade Type	65	5227	2-Speed Dual Action Reciprocating Saw	117
822	Blade Cutter Adaptor Kit	102	7260	Sander/Grinder	11
829	Nipple Chuck Kit	64	9174	Motor (115V)	
839	Nipple Chuck Kit	99	9274	Motor (230V)	80
840	Universal Drive Shaft	66		Model A Pump	50
841	Die Head (See 811A NPT)			Mono Head RH/LH	62
842	Die Head	98		Dies	119-122
845	Die Head (See 815A NPT)			Pipe Cutter Wheels	122
846	Universal Drive Shaft (See 840)				

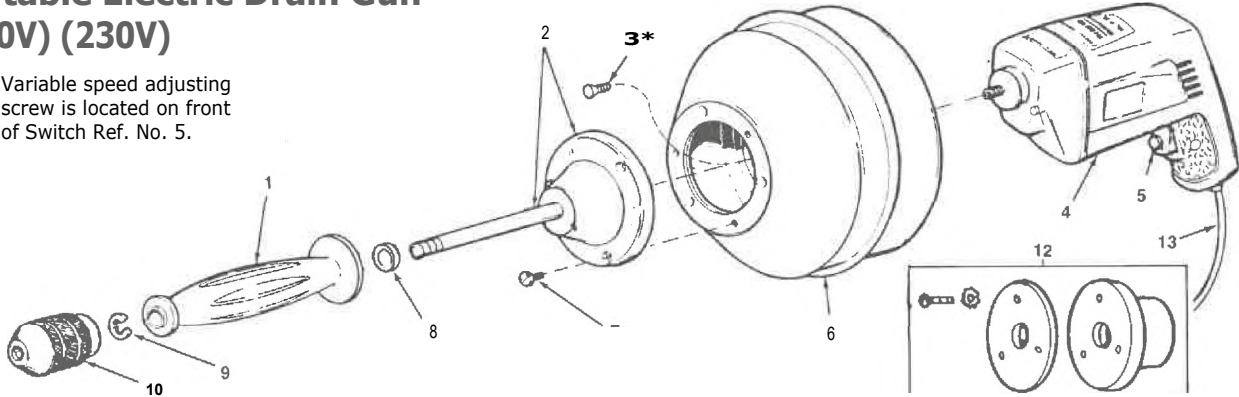
# RIDGIDI Kollmann Portable Electric Drain Cleaner

# K-36 K-37 K-37B

## K-36 Portable Electric Drain Gun (120V) (230V)

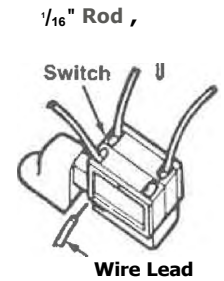
NOTE: Order parts by Catalog Number only.  
DO NOT order by Reference Number.

Note: Variable speed adjusting screw is located on front of Switch Ref. No. 5.



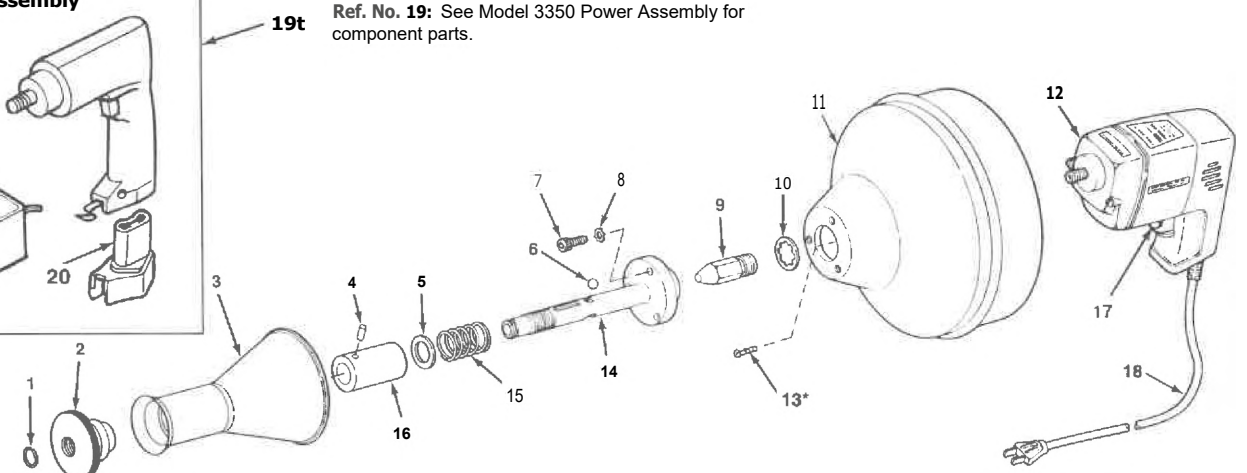
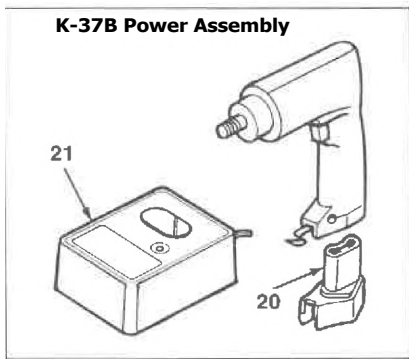
Ref. No.	Catalog No.	Description	Ref. No.	Catalog No.	Description
1	76765	Handle Grip	7	61540	Screw (3)
2	60735	Guide Tube With Flange	8	84460	Nylon Washer
3*	76775	Screw (Left Hand Thread)	9	60725	Retaining Ring
4	61980	Power Unit (120V)	10	60720	Chuck
	84430	Power Unit (230V)	11	62225	C-1 Cable (1/6" x 26)
5	61100	Switch (120V)	12	84405	Flexible Hub
	84685	Switch (230V)	13	24747	Cord (115V)
6	62025	Cable Container			

**CONNECTING WIRE LEAD TO SPRING TERMINAL SWITCH**  
To Connect. Strip wire 1/4" and dip in Solder. Insert entire length of stripped wire in proper hole.  
To Disconnect. Insert 1/16" rod in hole next to wire you wish to remove. Remove wire then rod.

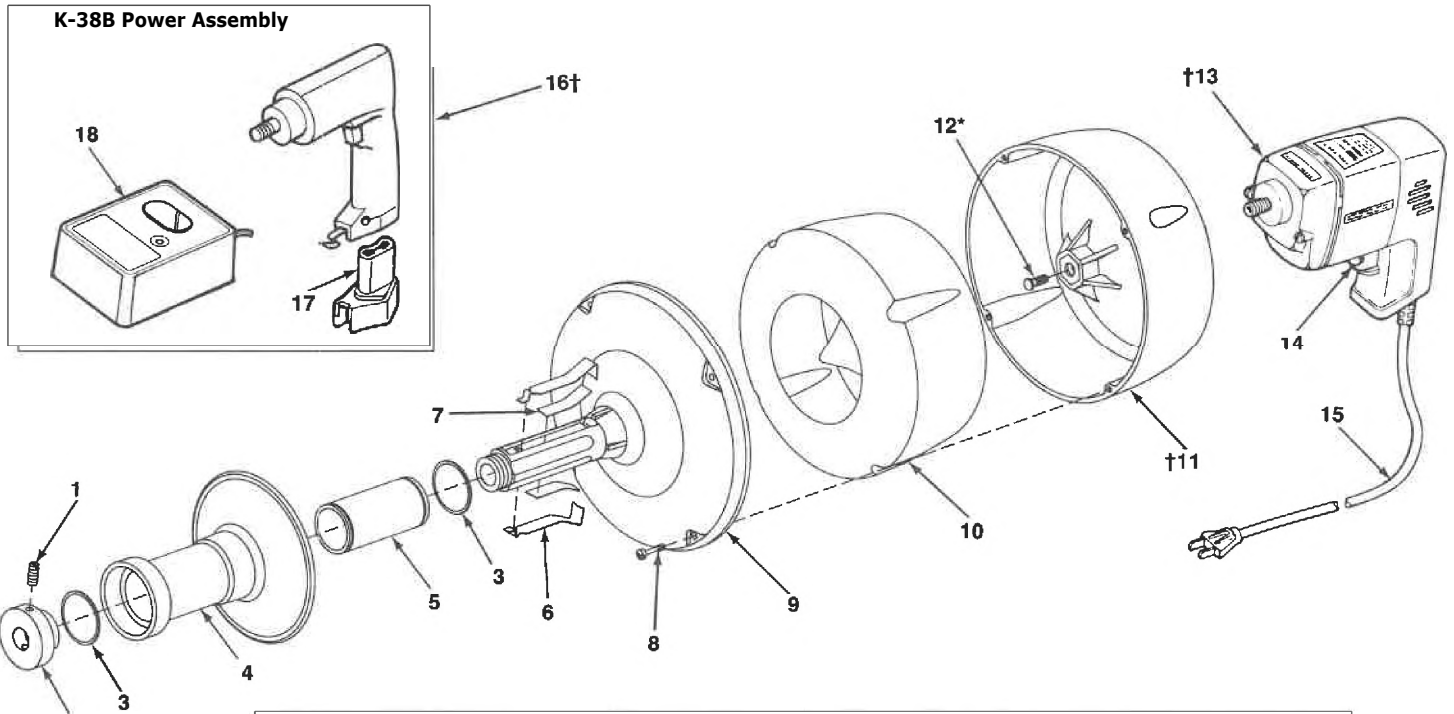


## K-37/K-37B

tService Note:  
Ref. No. 19: See Model 3350 Power Assembly for component parts.



Ref. No.	Catalog No.	Description	Ref. No.	Catalog No.	Description
1	89520	Stop Ring	13*	76775	Screw (Left Hand Thread)
2	89540	Locking Cap	14	49545	Shaft with Flange
3	89550	Handgrip with Bearing	15	89530	Spring
4	89525	Stop Pin	16	89535	Bushing
5	89555	Support Washer	17	61100	Switch (120V)
6	46925	Ball (3)		84685	Switch (230V Export)
7	60910	Cap Screw (3)	18	24747	Cord (115V)
8	44740	Lock Washer (3)	19t	39707	Power Unit, Charger, Battery (115V)
9	89560	Cable Guide		44902	Power Unit, Charger, Battery (240V Export)
10	89515	Internal Lock Washer		41197	Power Unit, Charger, Battery (220V Europe)
11	89565	Cable Container with Label	20	39717	Battery Pack - K-37B
	10406	Cable Container (Europe)		41207	Battery (220/240V Europe)
12	61980	Power Unit w/Labels (115V, 60 Hz)	21	39712	Charger - K-37B
	84430	Power Unit w/Labels (230V, 50 Hz Export)		41202	Charger (220V Europe)
	16786	Power Unit (220V Europe)		44952	Auto Charger 12 VDC

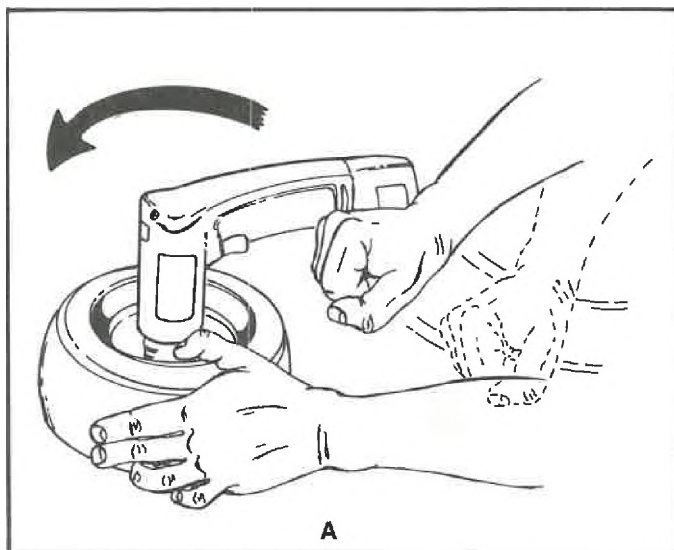


Ref. No.	Catalog No.	Description	Ref. No.	Catalog No.	Description
1	41502	Set Screw <sup>5</sup> / <sub>16</sub> -18 x .75	14	61100	Switch (115V)
2	41507	Nose Piece	84685		Switch (230V-Export)
3	41512	Spiral Ring (2)	44467		Switch (220V-Europe)
4	41517	Hand Grip	15	24747	Cord (115V)
5	41522	Sleeve	t16	39707	Power Unit, Charger, Battery (115V)
6	41532	Clamp Spring (2)	44902		Power Unit, Charger, Battery (240V-Export)
7	41537	Booster Spring (2)	41197		Power Unit, Charger, Battery (220V-Europe)
8	41542	Captive Screw (4)	17	39717	Battery Pack - K-38-B
9	41547	Drum Front	41207		Battery 220/240V
10	41552	Drum Liner	18	39712	Charger - K-38-B
t11	41557	Drum Back	41202		Charger 220V
*12	76775	Screw (Left Hand Thread)	44952		Auto Charger 12 VDC
t13	61980	Power Unit (115V)	—	41562	Decal Package K-38
	84430	Power Unit (230V-Export)	—	41567	Decal Package K-38-B
	44462	Power Unit (220V-Europe)			

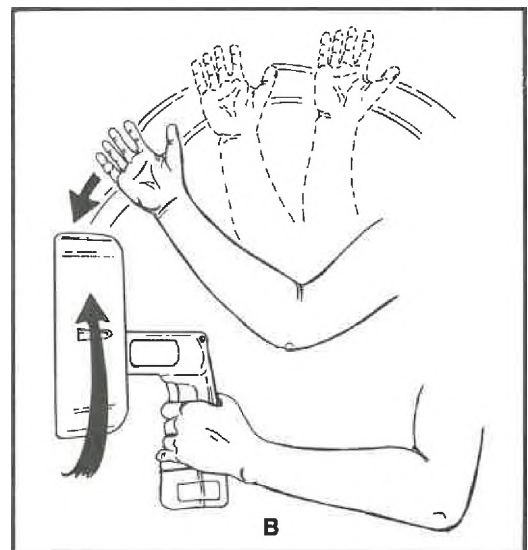
tSee Service Notes

**Service Notes**

Ref. No. 11 & 13: Remove left hand screw Ref. #12 before removing power unit from drum back. Either method can be used.



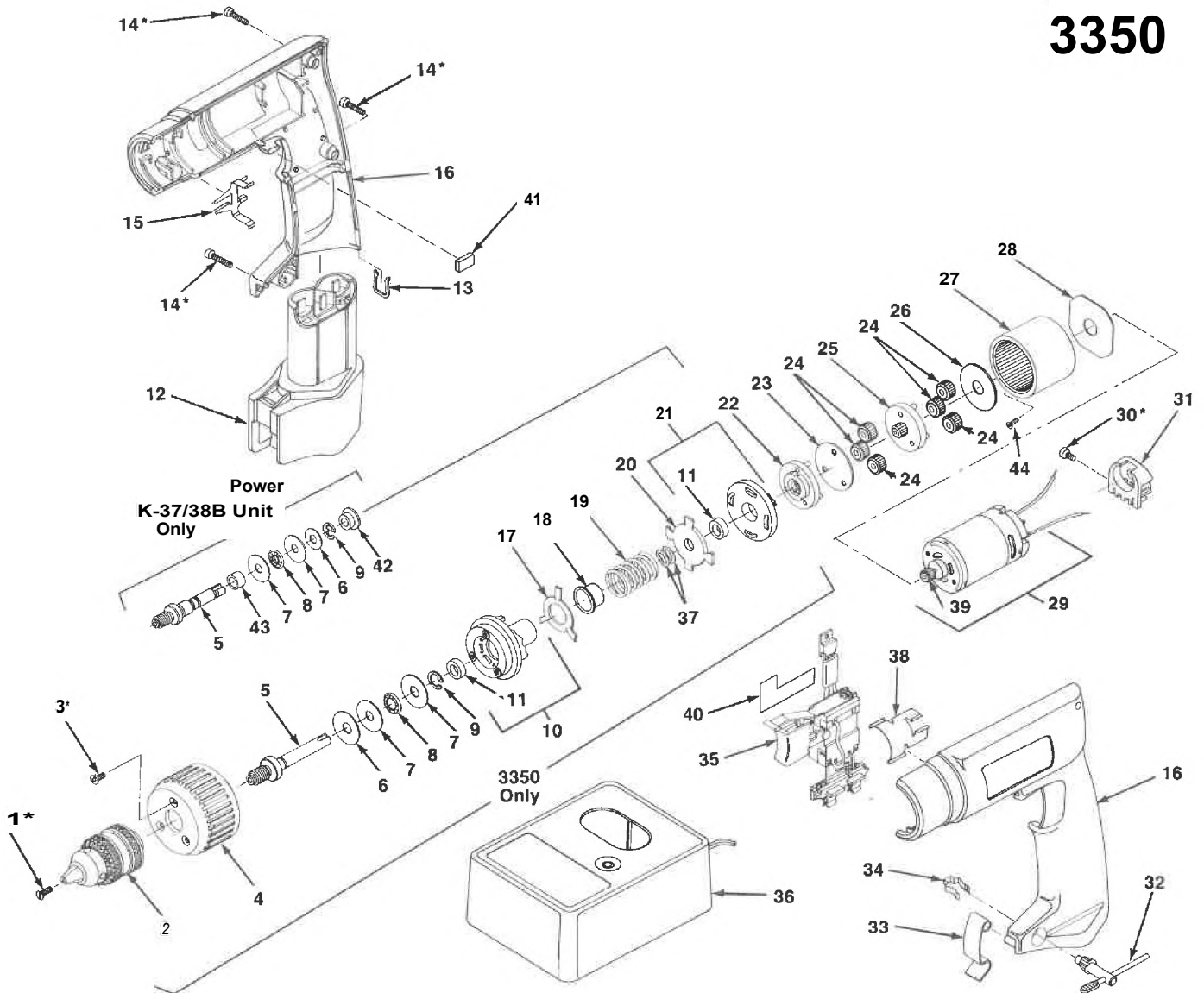
OR



Ref. No. 16: See Model 3350 for component parts

**RIDGID 3350 7.2V Cordless Drill/K-37/K-38B Power Unit**

**K-37B  
K-38B  
3350**



Refer to Model K-37B and K-38B Parts Lists for main drive components.

Ref. No.	Catalog No.	Description	Ref. No.	Catalog No.	Description
1*	42402	Screw (3350) (*L.H. Thread)	22	42507	2nd Stage Carrier Assy
2	42407	Chuck (3350)	23	42512	Spacer
3*	42412	Screw (3) (3350) (*Torx T10)	24	42517	Planet Gear (6)
4	42417	Collar (3350)	25	42522	1st Stage Carrier
5	42422	Spindle Shaft (3350)	26	42527	Flat Washer
	44472	Spindle Shaft (K-37/38B)	27	42532	Ring Gear
6	42427	Loading Spring Washer	28	42537	Flat Washer (3350)
7	42432	Washer (2)	29	42542	Motor Assy.
8	42437	Thrust Bearing	30*	42547	Screw (*Torx T15)
9	42442	Retaining Ring (3350)	31	42552	Heat Sink
	44482	Retaining Ring (K-37/38B)	32	42557	Chuck Key (3350)
10	42447	Cam Assembly (3350)	33	42562	Latch
11	42452	Sleeve Bearing (2) (3350)	34	42567	Chuck Key Retainer (3350)
12	39717	Battery Pack (120V 60Hz)	35	42572	Switch Assy.
	41207	Battery Pack (220V) (K-37/38B)	36	39712	Charger (120V 60Hz)
13	42462	Retainer Clip		41202	Charger (220V) (K-37/38B)
14*	42467	Screw (5) (*Torx T15)		44952	Auto Charger (12V DC)
15	42472	Wear Plate Cover (3350)	37	42582	Wave Washer (3350)
16	42477	Housing Set (3350)	38	42587	Wear Plate Main (3350)
	44492	Housing Set (K-37/38B)	39	42592	Sun Gear
17	42482	Cam Washer (3350)	40	42597	insulator (3350)
18	42487	Spacer (3350)	41	42602	Shield (2)
19	42492	Compression Spring (3350)	42	44487	Flange Bearing (K-37/38B)
20	42497	Clutch Plate (3350)	43	44477	Sleeve Bearing (K-37/38B)
21	42502	Clutch Assembly (3350)	44	44497	Screw (2) (K-37/38B)

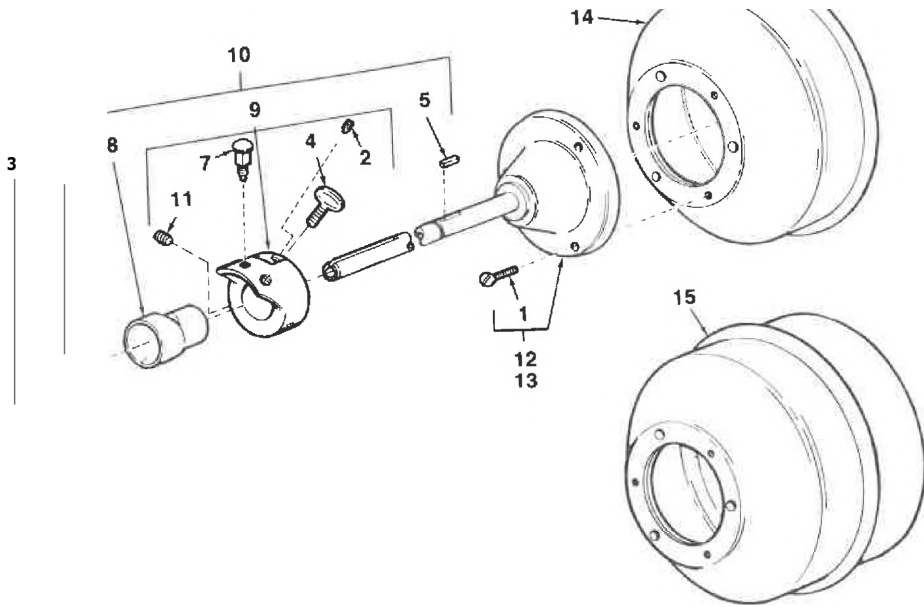


**Cable Adapters**

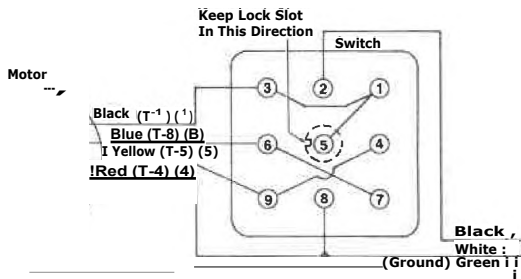
**NOTE: Order parts by Catalog Number only. DO NOT order by Reference Number.**

Cable No.	Description
59250 A-17-A	Cable Adapter (Includes C-1 Cable - 1/8" x 25' Ig. with Bulb Auger)
59245 A-17-A	Cable Adapter - Less Cable
59255 A-17-B	Cable Adapter (Includes C-5 Cable - 3/8" x 35' Ig. with Bulb Auger)
59260 A-17-B	Cable Adapter - Less Cable
59265 A-17-C	Cable Adapter (Includes C-6 Cable - 3/8" x 35' Ig. with Male Coupling)
59260 A-17-C	Cable Adapter - Less Cable
92095 A-17-D	Cable Adapter (Includes C-21 Cable - 3/8" x 50' Ig. with Bulb Auger)
92100 A-17-E	Cable Adapter (Includes C-22 Cable - 3/8" x 50' Ig. with Drop Head Auger)

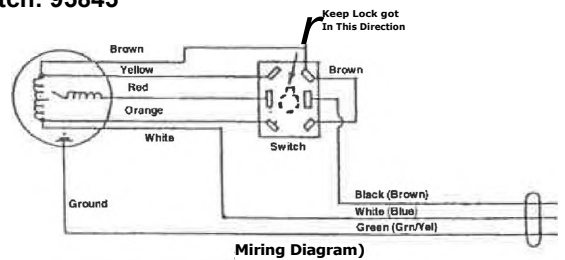
Ref. Catalog No.	No.	Description
1	61540 A-498	Screw (3)
2	61550 A-500	Screw
3	61555 A-505	Retaining Ring
4	61560 A-558	Thumb Screw (2)
5	61565 A-559	Key
6	61735 A-778	Brake Cone (Male)
7	59510 A-1189	Plunger Pin
8	59630 A-1665	Brake Cone (Female)
9	59760 A-2071	Adapter Bracket (Incl. Ref. Nos. 7, 4, 2 and 11)
10	59790 A-2126	Adapter Bracket Assembly (Incl. Ref. Nos. 3, 5, 6, 8 and 9)
11	60025 A-2271	Screw (2)
12	60325 A-2469	Tube and Flange with Screws (3/18" Cable Adapter) (Incl. Ref. No. 1)
13	60335 A-2470	Tube and Flange with Screws (3/8" Cable Adapter) (Incl. Ref. No. 1)
14	63255 C-2338	Cable Container (3/8" x 25' Cable Only)
15	63250 C-2339	Cable Container (3/8" x 35' and 3/8" x 50' Cable)



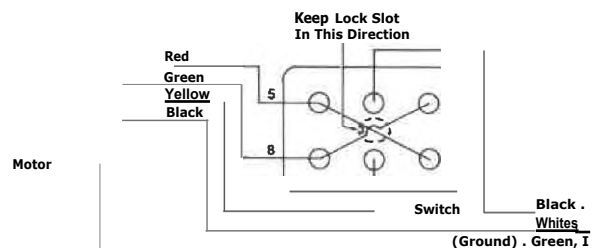
Motor: 1/6 HP Gould/4 Lead 100v./115v./230v.  
 1/6 HP Baldor/4 Lead 115v./230v.  
 1/8 -1/6 HP Master w/Capacitor/4 Lead 115v.  
 1/6 HP Reliance & Baldor Capacitor/4 Lead 115v.  
 1/6 HP Baldor Split Phase/4 Lead 115v.  
 Switch: A-3198/Cat. No. 76785



Motor: Emerson 115v. 60Hz.  
 Switch: 95845



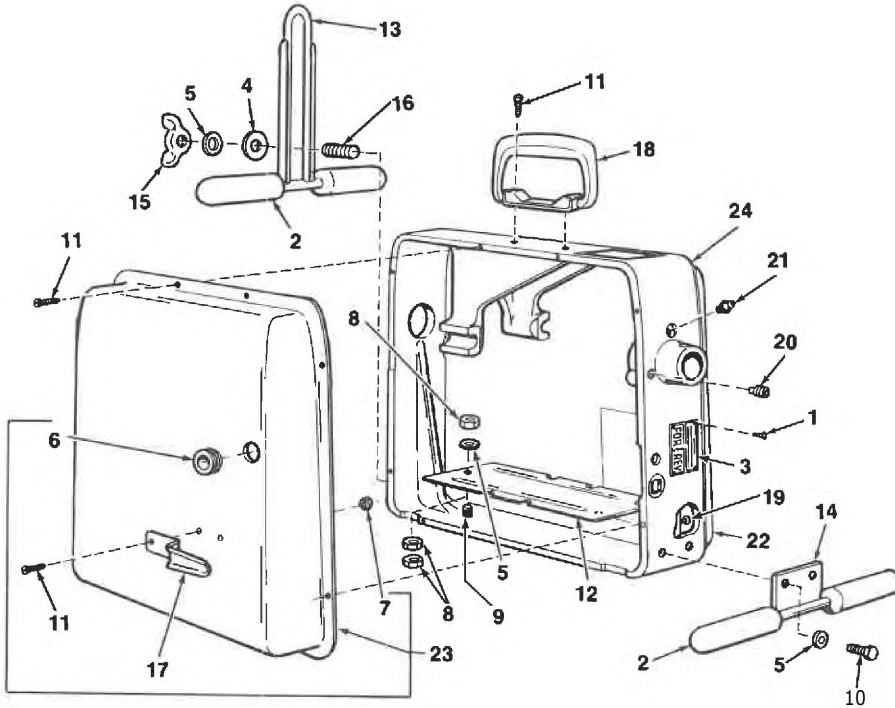
Motor: 1/8 HP Master/4 Lead 115v.  
 Switch: A-2143/Cat. No. 59820



# RIDGID1 Kollmann Drain Cleaning Machines

# -60 PRO-60

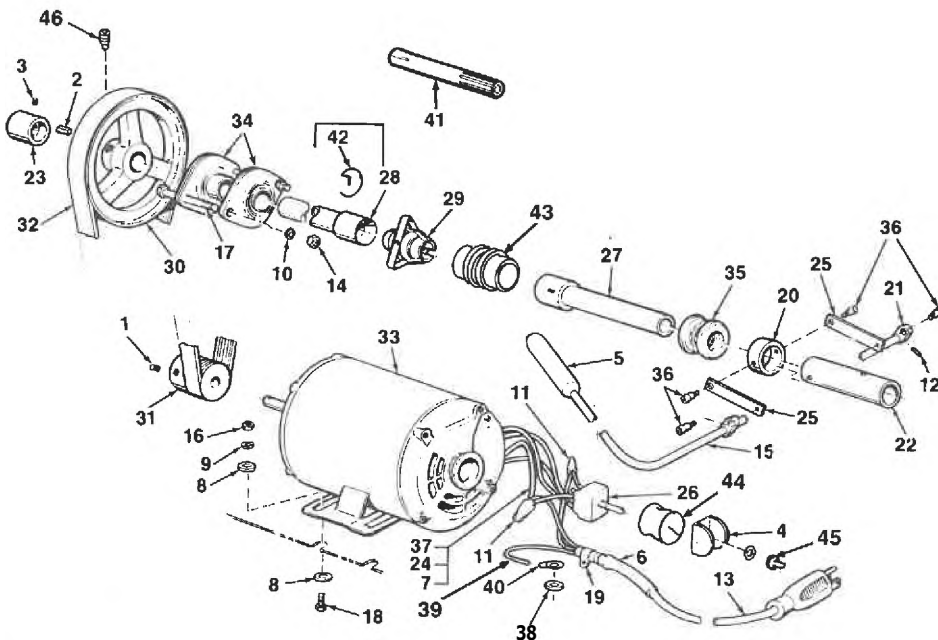
## Main Body Components



**NOTE: Order parts by Catalog Number only.  
DO NOT order by Reference Number.**

Ref. No.	Catalog No.	Description
1	61480	A-413 Drive Screw (4)
2	61605	A-580 Rubber Grip (4)
3	59605	A-1565 FOR-OFF-REV Tag
	39552	For-Rev Plate PRO-60
4	60060	A2284 Washer (6)
5	60080	A2289 Lock Washer (7)
6	60180	A2345 Rubber Grommet
7	60810	A2838 Hex Nut (4)
8	61115	A3248 Hex Nut (13)
9	61125	A3250 Stud (3)
10	61130	A3251 Screw (2)
11	61135	A3256 Screw (23)
12	61155	A3282 Motor Mount
13	61160	A3288 Elevator Bracket
14	61200	A3296 Rear Leg Assembly
15	61235	A3306 Wing Nut (2)
16	61245	A3308 Stud (2)
17	61250	A3311 Cord Hook (2)
18	61255	A3313 Handle
19	61285	A3377 Screw (Brass)
20	76910	A3904 Set Screw
21	89810	A6150 Grease Fitting
22	62160	B3277 Cover (Right)
23	62165	B3312 Cover (Left)
24	62480	D3276 Body Casting

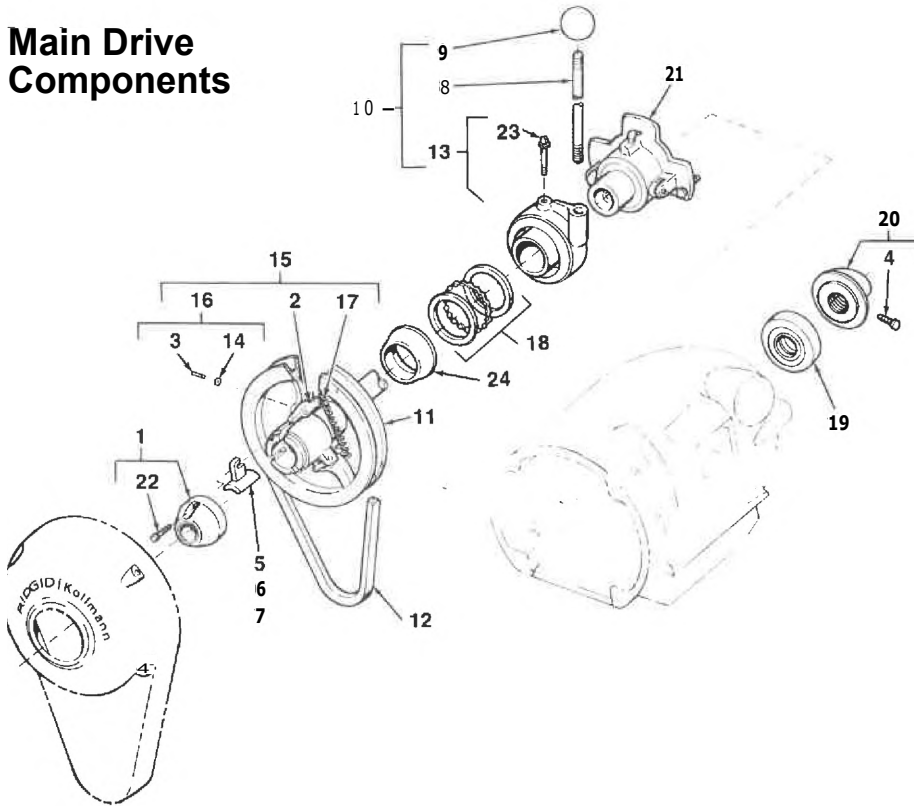
## Main Drive Components



Ref. No.	Catalog No.	Description
1	60330	A-247 Set Screw
2	60680	A-270 Key
3	61475	A-412 Set Screw (2)
4	61490	A-418 Switch Guard
5	61605	A-580 Rubber Grip
6	59720	A-1946 Cord Sleeve
	13187	Cord Sleeve PRO-60
7	59955	A-2234 Terminal (Not Shown)
8	60060	A-2284 Washer (8)
9	60080	A-2289 Lock Washer (4)
10	60085	A-2290 Lock Washer (2)
11	60185	A-2348 Wire Nut (2)
12	60240	A-2417 Spring Pin
13	60255	A-2435 Cord Set
	39562	Cord Set PRO-60
14	60395	A-2492 Hex Nut (2)
15	61105	A-3246 Handle Assembly
16	61115	A-3248 Hex Nut (4)
17	61120	A-3249 Bolt (2)
18	96260	A-7359 Carriage Bolt (4)
19	61140	A-3275 Clamp
20	69260	A-3281 Collar
21	61145	A-3283 Lever
22	61150	A-3284 Bearing
23	61165	A-3289 Sleeve
24	61170	A-3290 Sleeve
25	61175	A-3291 Link (2)
26	61180	A-3292 Switch Assembly
27	61185	A-3293 Shaft Cone Idler
28	61190	A-3294 Shaft Cone Drive
		(Incl. Ref. No. 42)
29	61195	A-3295 Clutch Assembly
30	61205	A-3299 Pulley (Driven)
31	61210	A-3300 Pulley (Drive)
32	61215	A-3301 Belt
33	61220	A-3302 Motor (115V)
	76790	A-3245 Motor (230V) PRO-60
34	61225	A-3303 Ball Bearing (2)
35	61230	A-3304 Thrust Bearing
36	61240	A-3307 Screw (4)
37	61270	A-3327 Wire
38	61310	A-3439 Lock Washer
39	89710	A-3694 Sleeve (4)
40	84710	A-6126 Ring Terminal
41	61640	A-3270 Collet
42	97315	A-7109 Drive Spring
43	39757	Clutch Boot PRO-60
44	39762	Heat Shrink Tube PRO-60
45	23507	Switch Seal PRO-60
46	60025	A-2271 Set Screw



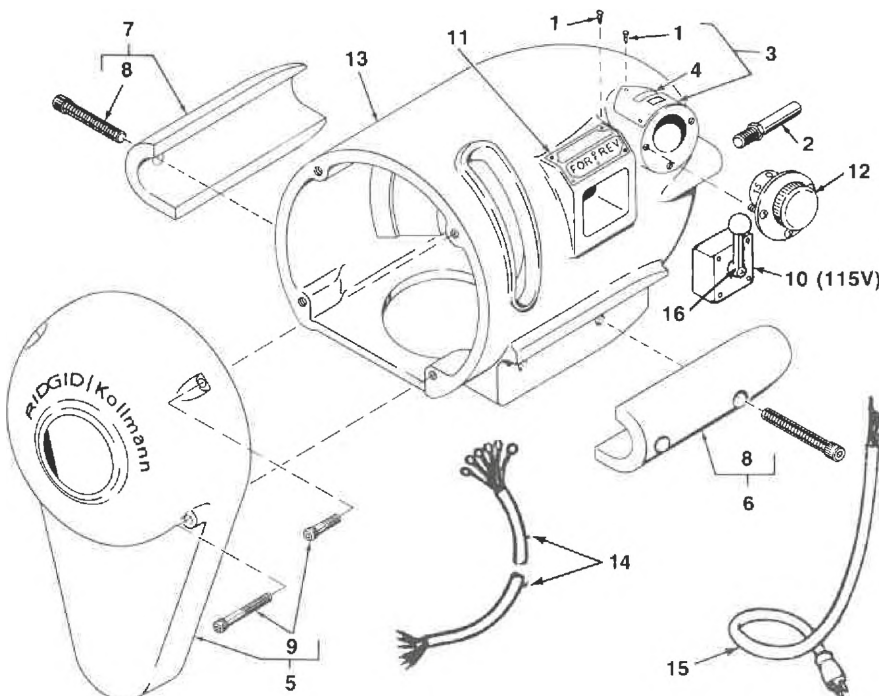
**Main Drive Components**



**NOTE: Order parts by Catalog Number only. DO NOT order by Reference Number.**

Ref. Catalog No.	No.	Description
1	59500	A-112-X Nose Piece Assembly
2	59530	A-127-X Rocker Arm Set
3	90105	A-134 Pin (3)
4	60910	A-300 Screw
5	59325	A-368-X Clutch Jaw (7/8" Cable)
6	59320	A-369-X Clutch Jaw (1-1/4" Cable) (KM-1500 & Low Boy)
7	59330	A-376-X Clutch Jaw (5/8" Cable)
8	59575	A-1511 Handle
9	59585	A-1521 Ball
10	59590	A-1522 Clutch Casting Assy.
11	59800	A-2138 Pulley and Shaft
12	60130	A-2306 V-Belt (K-75)
	88035	A-6235 V-Belt (KM-1500 & Low Boy)
13	59875	A-2180 Clutch Casting
14	76740	A-2282 Retaining Ring (6)
15	60145	A-2309 Rocker Arm Kit
16	60150	A-2310 Rocker Arm Pin Set Incl. Ref. No. 3 & 14
17	60155	A-2311 Set of 3 Springs
18	60920	A-3017 Bearing
19	60930	A-3019 Bearing
20	60935	A-3020 Nut
21	60950	A-3023 Plate Assembly
22	84425	A-3695 Screw (2)
23	89810	A-6150 Grease Fitting
24	62215	B-835-K Clutch Cone

**KM-1500 and Low Boy Main Body Components**

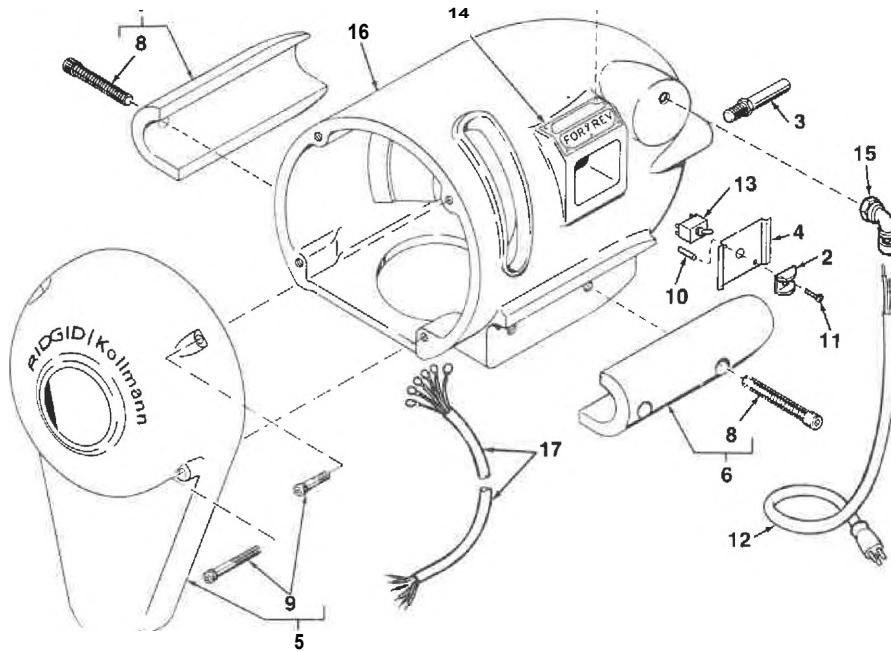


Ref. Catalog No.	No.	Description
1	61480	A-413 Drive Screw (7)
2	59580	A-1515 Guide Hose Pin (2)
3	59595	A-1527 Cable Counter Plate Assembly (Incl. Ref. No. 1 & 4)
4	59610	A-1582 Cable Counter Window
5	62755	A-2178 Guard (Incl. (1 set) Ref. No. 9)
6	59900	A-2188 Left Hanger Cap (Incl. 2 Ref. No. 8)
7	59905	A-2189 Right Hanger Cap (Incl. 2 Ref. No. 8)
8	59930	A-2195 Screw (4)
9	60140	A-2308 Guard Screw (4 per set)
10	60940	A-3021 Switch (115V)
11	76875	A-3680 FOR-OFF-REV Name Plate
12	61950	13-1954 Cable Counter with Screws
13	76645	D-1500 Body
14	76800	B-3450 Wire Harness
15	60255	Cord w/Plug (115V)
16	62760	A-2140 Switch Lever

# K-75 KM-1500 Low Boy

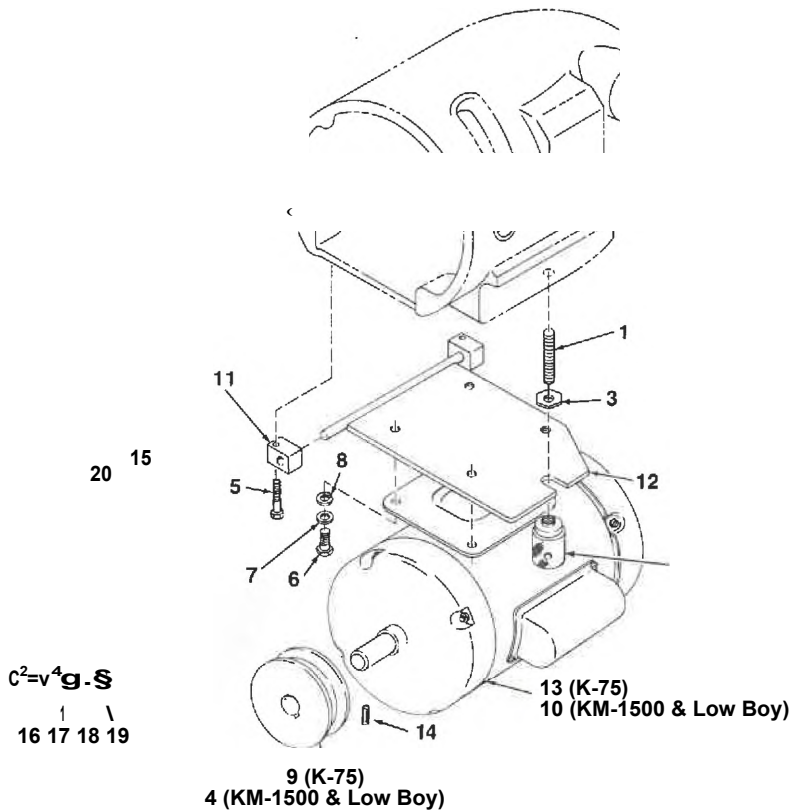
## K-75 Main Body Components

**NOTE: Order parts by Catalog Number only.  
DO NOT order by Reference Number.**



Ref. No.	Catalog No.	Description
1	61480	A-413 Drive Screw (4)
2	61490	A-418 Guard
3	59580	A-1515 Guide Hose Pin (2)
4	59650	A-1694 Mounting Plate
5	62755	A-2178 Guard
6	59900	A-2188 Left Hanger Cap
7	59905	A-2189 Right Hanger Cap
8	59930	A-2195 Screw (4)
9	60140	A-2308 Guard Screw (4)
10	85710	A-2433 Plastic Spacer (2)
11	60250	A-2434 Screw (2)
12	60255	A-2435 Cord with Plug
13	76780	A-3032 Switch Assembly
14	76875	A-3680 FOR-OFF-REV Plate
15	92630	A-6026 Connector
16	62455	D-1700 Body
17	61890	B-1776 Wiring Harness

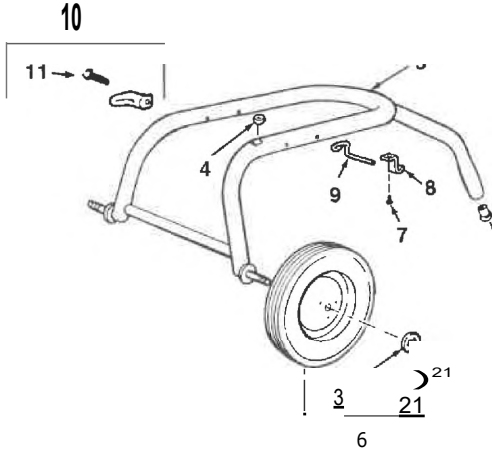
## Motor Table and Components



Ref. No.	Catalog No.	Description
1	92145	A-7083 Stud
2	59665	A-1781 Jam Nut
3	59670	A-1782 Lock Nut
4	59795	A-2137 Pulley with Screw (KM-1500 & Low Boy)
5	59925	A-2194 Screw (2)
6	60010	A-2265 Bolt (4)
7	60060	A-2284 Washer (4)
8	60080	A-2289 Lock Washer (4)
9	63315	A-2679 Motor Pulley with Screw (K-75)
10	69270	A-3472 Motor (KM-1500 and Low Boy) 24762 Motor (KM-1500) 240V, 50 Hz (Australia)
11	69275	A-3517 Bracket (2)
12	61940	B-1925 Motor Table
13	62360	C-2678 Motor (K-75)
14	60025	Set Screw
15	76805	Bonding Braid
16	61285	Screw
17	61310	Lock Washer
18	61315	Washer
19	61095	Ground Lug Screw
20	61500	Screw

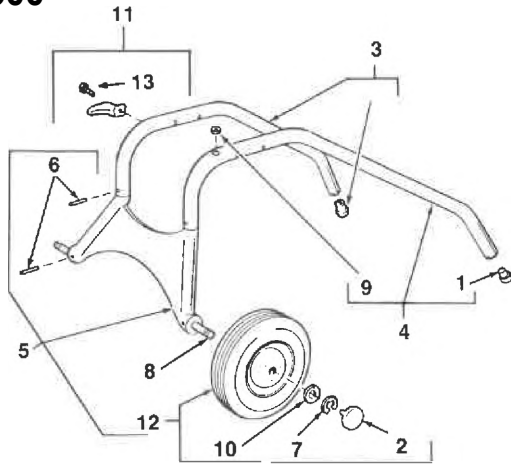
**Frame and Wheel Assembly  
K-75 and KM-1500 Low Boy**

**NOTE: Order parts by Catalog Number only.  
DO NOT order by Reference Number.**



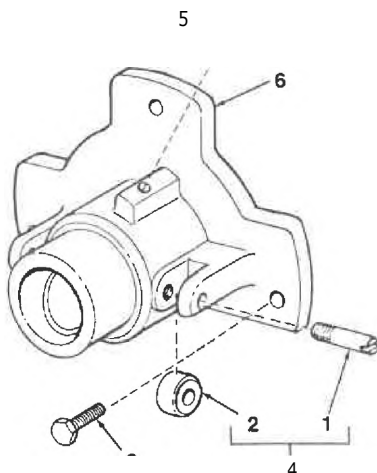
Ref. No.	Catalog No.	Description
1	61470	A-394 Button Insert
2	59700	A-1881 Hub Cap (2)
3	59810	A-2141 Retaining Ring (2)
4	60190	A-2356 Grommet
5	62365	A-2742 Frame Assembly
6	60915	A-3016 Wheel (2) for V2 Axle
7	61135	A-3256 Screw (2)
8	89800	A-6116 Catch
9	89805	A-6117 Pin
10	61965	B-2039-X Cord Hook with Screws (2)
11	61500	A-427 Screw (2)

**Frame and Wheel Assembly  
KM-1500**



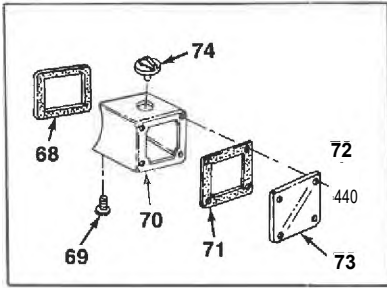
Ref. No.	Catalog No.	Description
1	61470	A-394 Button Insert (2)
2	59700	A-1881 Hub Cap (2)
3	59885	A-2183 Right Leg
4	59890	A-2184 Left Leg
5	59895	A-2187 Frame Casting
6	76735	A-2262 Spring Pin (4)
7	60050	A-2281 Retaining Ring (2)
8	76700	A-1904 Axle (2)
9	60190	A-2356 Grommet
10	88205	A-6236 Washer (2)
11	61965	B-2039-X Cord Hook with Screws (2)
12	61525	C-438-X Wheel (2) for 3/4" Axle
13	61500	A-427 Screw (2)

**Main Bearing Plate Assembly A-3023**

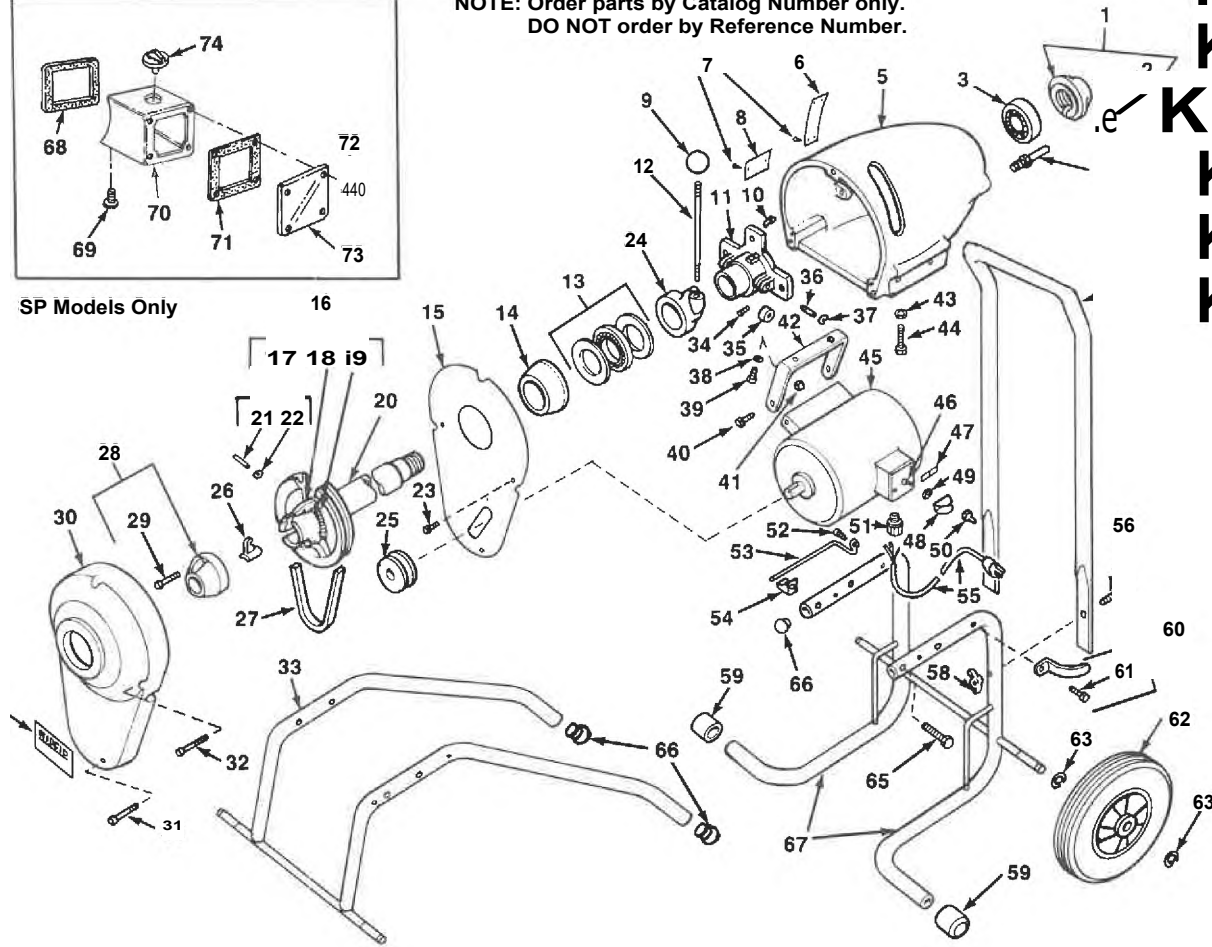


Ref. No.	Catalog No.	Description
	60950	A-3023 Plate Assembly Complete
1	59495	A-110 Pin (2)
2	61015	A-308 Roller (2)
3	44590	E-1503 Set of 5 Screws
4	60925	A-3018 Roller Assembly (2)
5	89815	A-6151 Grease Fitting
6	76690	B-1672 Main Bearing Plate

**NOTE: Order parts by Catalog Number only.  
DO NOT order by Reference Number.**

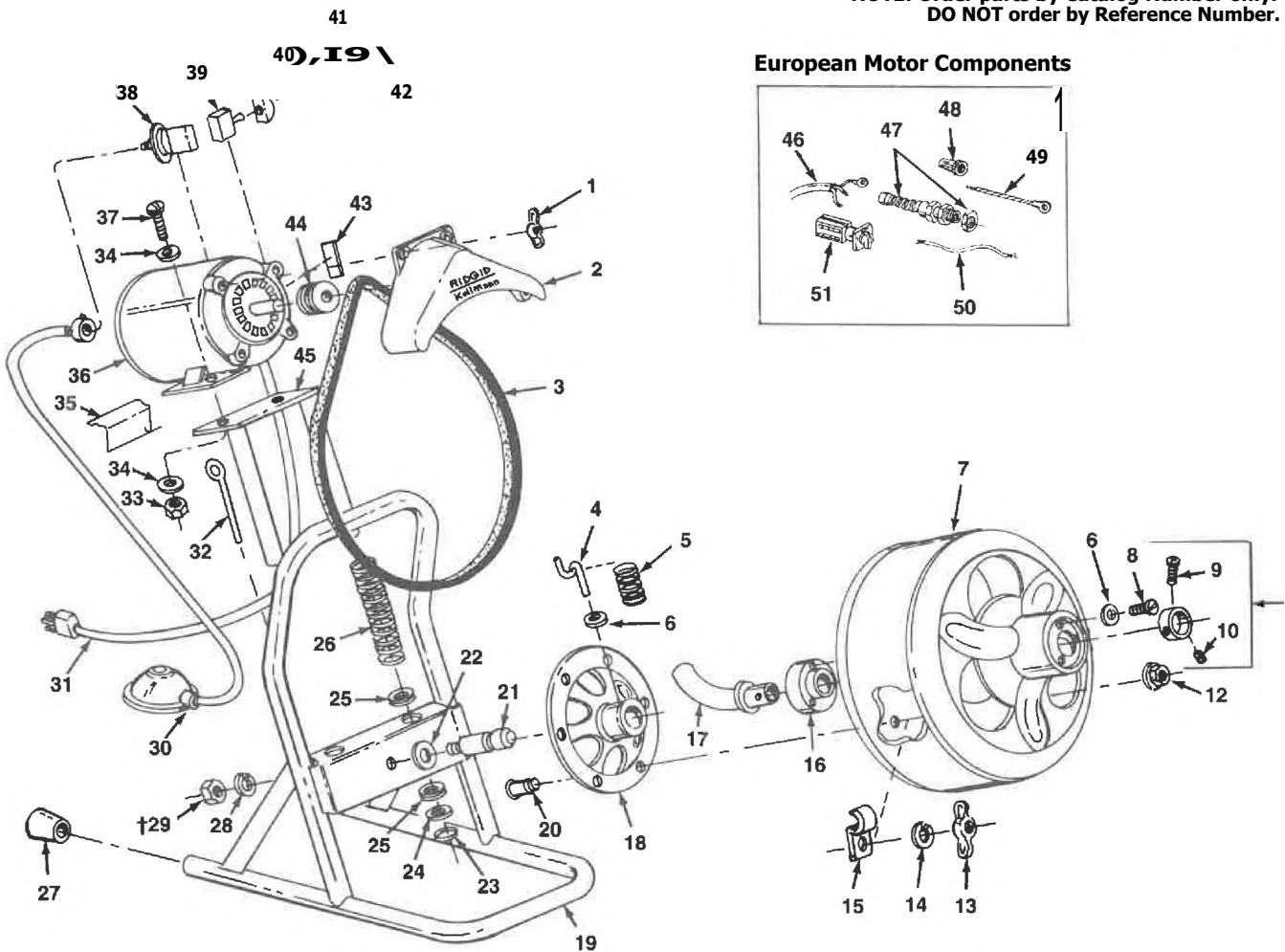


**SP Models Only**



Ref. No.	Catalog No.	Description	Ref. No.	Catalog No.	Description	Ref. No.	Catalog No.	Description
1	60935	A-3020 Lock & Adj. Nut (Incl. #2)	27	23577	V-Belt	55	60255	A-2435 Line Cord
2	60910	A-300 Screw	28	59500	A-112-X Nose Piece (Incl. #29)	45022	110V Line Cord-UK	
3	60930	A-3019 Ball Bearing	29	84425	A-3695 Screw (2)		(SP Models Only)	
4	59580	A-1515 Guide Hose Pin (2)	30	23547	Front Guard	60220	A-2386 115V Power Cord	
5	23542	Body	31	44510	E-1429 Screw		(SP Models Only)	
6	23632	Warning Label	32	23652	Screw (3)	39562	Line Cord - Eur. (SP Models Only)	
	45282	Warning Label (SP Models Only)	33	23672	Frame Assy. (Type "B")	15707	Line Cord - Exp. (SP Models Only)	
7	76730	A-2261 Screw (6)	34	68875	E-1483 Screw (3)	56	23617	Bolt (2)
8	23627	Name Plate	35	61015	A-308 Roller (2)	57	23537	Handle (Type "A")
9	59585	A-1521 Clutch Knob	36	23592	Pin (2)	58	45385	E-3328 Wing Nut (2)
10	89815	A-6151 Grease Fitting	37	34175	E-1457 Retaining Ring (2)	59	23607	Leg End Cap (2)
11	23552	Main Bearing	38	60085	A-2290 Lock Washer (2)	60	61965	Cord Hook w/Screw (2)
	45247	Main Bearing (SP Models Only)	39	60380	A-2481 Screw (2)	61	61500	A-427 Screw (2)
12	59575	A-1511 Clutch Handle	40	59785	A-210 Screw (2) (SP Models Only)	62	23602	Wheel (K-75A, B, K-1500A, B) (2)
13	23677	Thrust Bearing Assembly	41	59785	A-210 Screw (2)		23597	Wheel (S & SP Models Only) (2)
14	23572	Clutch Cone	42	43947	A-4322 Lock Nut 3/8"-16 (2)	63	60050	A-2281 Retaining Ring (4)
15	23567	Inside Guard	43	23642	Motor Bracket	64	23657	Label (K-75A)
16	60145	A-2039 Rocker Arm Kit		45222	Motor Bracket (SP Models Only)		24102	Label (K-75B)
17	60150	A-2310 Rocker Arm Pin	44	83545	E-514 Jam Nut		23662	Label (K-1500A)
18	59530	A-127-X Rocker Arm Set	45	23637	Motor Adjusting Bolt		24097	Label (K-1500B)
19	60155	A-2311 Spring (3)		23517	Motor 1/2 H.P. (K-75A, B)		23667	Label (K-1500S)
20	23562	Pulley & Shaft Assembly		23522	Motor 3/4 H.P. (K-1500A, B)		45232	Label (SP Models Only)
21	90105	A-134 Pin (3)		23527	Motor 1 H.P. (K-1500S)	65	87405	E-7173 Screw (4)
22	76740	A-2282 Retaining Ring		45237	Motor 1 H.P. (SP Models Only)		43757	A-7752 Screw (4) (SP Models Only)
23	60265	A-2441 Screw (2)	46	23612	Switch	66	61470	A-394 Rubber Plug (2)
24	23557	Clutch Casting	47	23687	For-Rev Decal	67	23532	Frame Assembly (Type "A")
25	23582	Pulley (K-1500A, B)	48	61490	A-418 Switch Guard	68	45257	Gasket-Back (SP Models Only)
	23587	Pulley (K-75A, B/K-1500S)	49	23512	Rubber Washer	69	59990	A-2256 Screw (SP Models Only) (2)
	45227	Pulley (SP Models Only)	50	23507	Rubber Boot	70	45262	Switch Box (SP Models Only)
26	59330	A-376-X Jaw Assy. (K-75A, B)	51	96265	A-7476 Strain Relief	71	45267	Gasket-Front (SP Models Only)
		1/2" Cable		36732	Strain Relief (SP Models Only)	72	59990	Screw #10 (4) (SP Models Only)
	59325	A-368-X Jaw Assy. (K-75A, B/	52	59990	A-2256 Screw	73	45272	Cover Plate (SP Models Only)
		K-1500A, B, S, SP) 3/4" Cable		45217	A-7875 Screw	74	27297	Switch (SP Models Only)
	59320	A-369-X Jaw Assy.	53	23622	Tool Clip			
		(K-1500A, B, S, SP) 1/4" Cable	54	23647	Tool Clip Bracket			

NOTE: Order parts by Catalog Number only.  
DO NOT order by Reference Number.



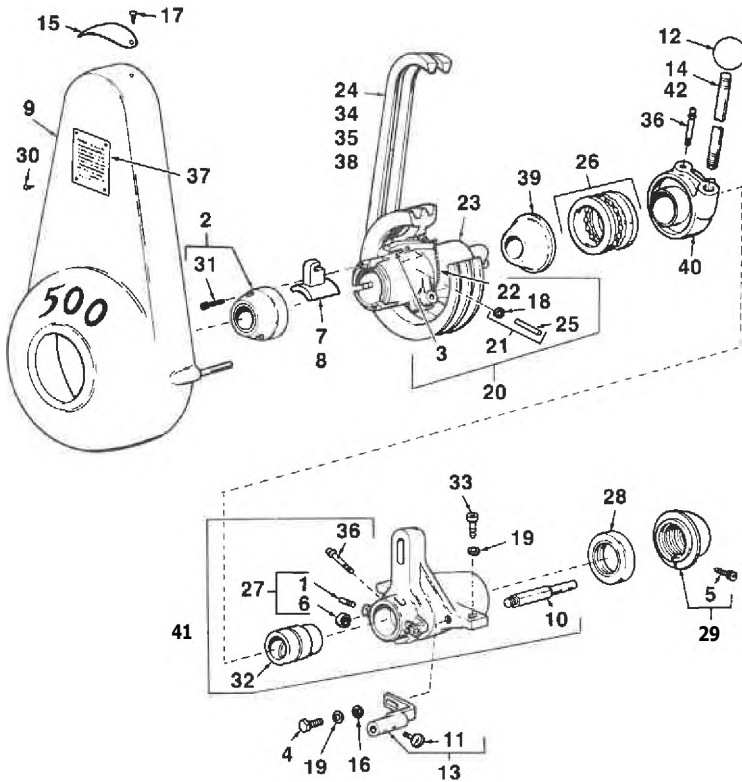
Ref. Catalog No.	Catalog No.	Description
1	39557	Wing Nut (2)
2	39767	Belt Guard
3	37872	Belt
4	44872	Drum Retainer
5	37882	Extension Spring
6	45365	#10 Flat Washer (4)
7	37892	Drum
8	37907	Slot Hex Screw #10 x 3/4 (3)
9	39582	Set Screw 5L,6I - 18 x 1"
10	81080	Set Screw CP Vie - 18 x 3/16
11	37912	Set Collar Assembly
12	47297	Flange Nut 1/4 - 20 (5)
13	44892	Wingnut
14	60075	Lockwasher
15	37887	Cable Clamp
16	37917	Sleeve Bushing
17	37922	Guide Tube
18	37927	Drum Hub
19	37942	Frame
20	37932	Clinch Stud V, - 20 x 1 (6)
21	37937	Drum Axle
22	47077	Drum Axle Washer
23	37947	Spiral Ring (2)
24	37897	Nylon Washer (2)
25	37952	Nylon Grommet (4)
26	37957	Spring (2)
27	37962	Rubber End Cap (2)
28	46682	Lock Washer
t29	13617	Hex Nut 3/0 - 11

Ref. Catalog No.	Catalog No.	Description
30	37967	Foot Switch Assembly
31	60255	120V 60Hz Cord w/Plug
	44512	240V 50Hz Cord w/Plug - Australia
	15707	220/240V 50Hz Cord
32	59230	Coupling Pin
33	96730	Hex Nut 5/16- 18 (2)
34	96740	Flat Washer 5/16 (4)
35	37982	Tool Holder
36	37977	Motor 115V/60Hz (Includes Reference Numbers 38 - 42)
	44702	Motor 220/240 50Hz - Australia - Export
	44712	Motor 220/240 50Hz - Europe
37	61130	Hex Head Screw (2)
38	32992	Air Switch
39	41817	Switch
40	61490	Switch Guard
41	23512	Rubber Washer
42	23507	Rubber Boot
43	23687	FOR/REV Label
44	33082	Motor Pulley w/Screw
45	33087	Motor Mount
46	39562	220/240V 50Hz Cord - Europe
47	27187	Strain Relief - Europe
48	44635	Wire Nut - Europe
49	44887	Lead Wire Assembly - Europe
50	44882	Jumper Wire Assembly - Europe
51	44862	Switch - Europe
52	96265	Strain Relief (Not Shown)

fiService Note: Tighten Nut to 65-75 ft. lbs.

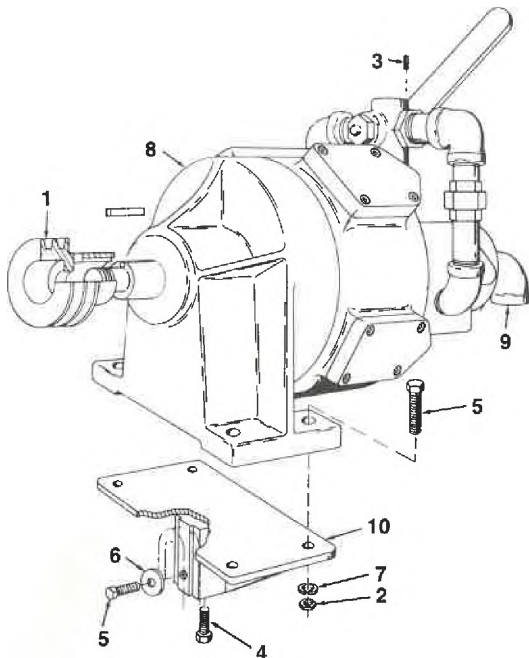
**NOTE: Order parts by Catalog Number only.  
DO NOT order by Reference Number.**

**Main Drive Components**

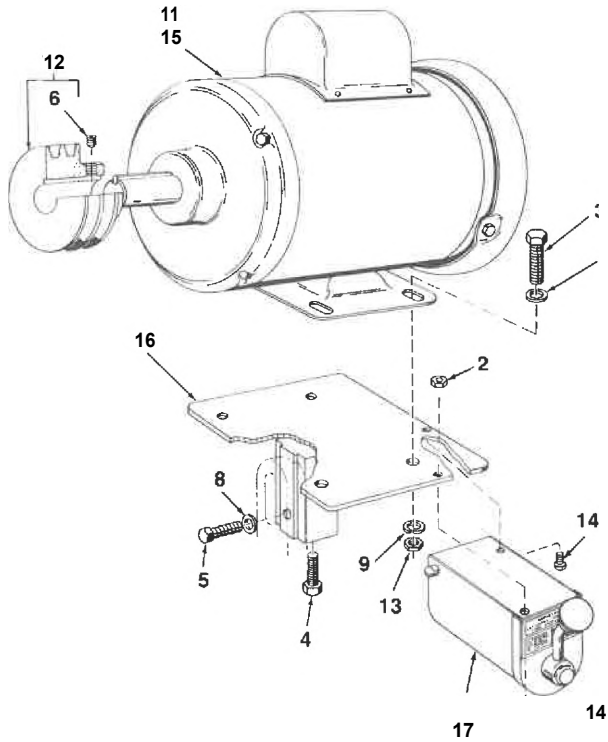


Ref. No.	Catalog No.	Description
1	59495	A-110 Roller Pin (2)
2	59500	A-112-X Nose Assembly
3	59530	A-127-X Rocker Arm Set
4	59785	A-210 Screw (2)
5	60910	A-300 Screw
6	61015	A-308 Roller (2)
7	59325	A-368-X Clutch Jaw ("A" Cable)
8	59320	A-369-X Clutch Jaw (11/4" Cable)
9	62785	D-1636 Guard
10	61465	A-381 Hose Pin (2)
11	79935	E-1560 Thumb Screw (2)
12	59585	A-1521 Ball
13	62450	A-1638 Guard Bracket (2)
14	59655	A-1738 Handle
15	90080	A-2035 Name Plate
16	59970	A-2241 Washer (2)
17	76730	A-2261 Drive Screw (2)
18	76740	A-2282 Lock Ring (6)
19	60085	A-2290 Lock Washer (4)
20	60145	A-2309 Rocker Arm Kit
21	60150	A-2310 Rocker Arm Pin (3)
22	60155	A-2311 Rocker Arm Spring (3)
23	60225	A-2391 Pulley Shaft Assembly
24	60290	A-2461 "V" Belt (2) (Explosion Proof Motor)
25	60610	A-2634 Pin (3)
26	60920	A-3017 Thrust Bearing
27	60925	A-3018 Roller and Pin (2)
28	60930	A-3019 Rear Thrust Bearing
29	60935	A-3020 Adjusting Nut
30	87960	A-3448 Pop Rivets (4)
31	84425	A-3695 Screw (2)
32	84435	A-3709 Bronze Bushing
33	85725	A-3716 Screw (2)
34	60290	A-2461 "V" Belt (2) (Compressed Air Motor)
35	84715	A-6134 "V" Belt (2) (Electric Motor)
36	89810	A-6150 Grease Fitting (2)
37	90165	A-6209 Caution Label
38	88035	A-6235 "V" Belt (2) (Gasoline Motor)
39	62215	B-835-K Clutch Cone
40	61860	B-1739 Clutch Casting
41	84450	B-3714 Main Body Assembly
42	88025	B-6233 Handle (Gas Model)

**No. K-500 Compressed Air Model  
Motor, Table and Components B-2822**



Ref. No.	Catalog No.	Description
1	61645	A-641 Motor Pulley
2	84350	A-2135 Nut (4)
3	76735	A-2262 Handle Spring Pin
4	60020	A-2269 Screw (Motor Adjusting)
5	84360	A-2270 Screw (5)
6	84365	A-2286 Washer
7	60090	A-2292 Lock Washer (4)
8	60795	A-2823 Air Motor
9	87905	A-3599 90 Degree Street Elbow
10	62195	B-648 Motor Table
11	84370	B-2822 Motor with Table & Components

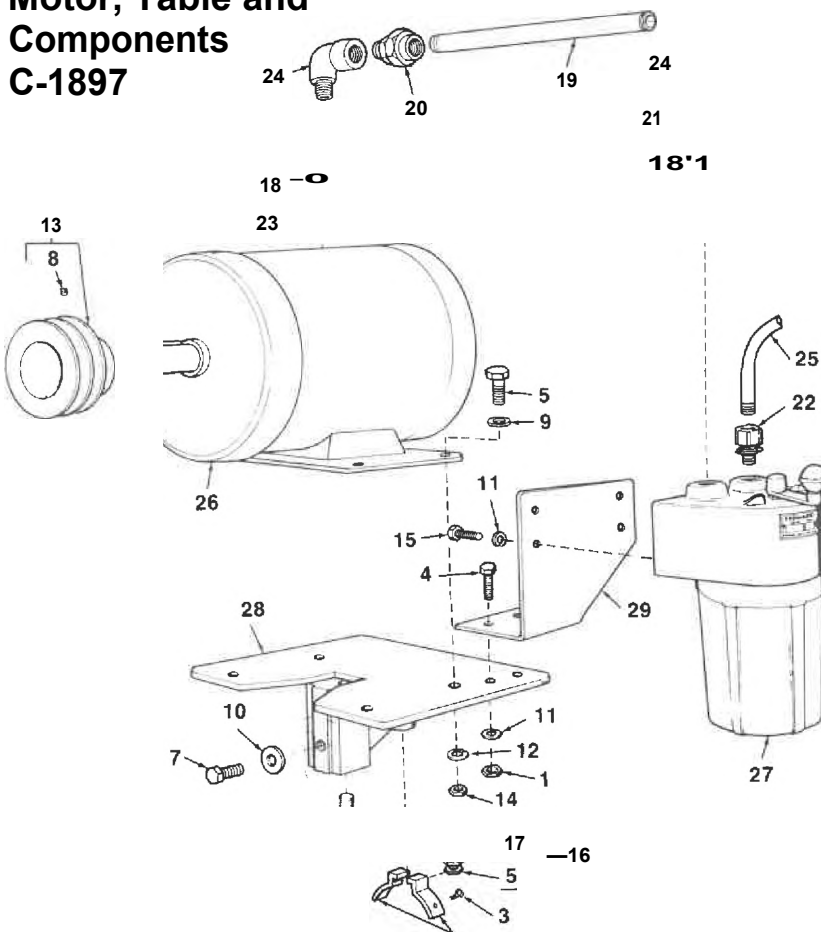


**No. K-500 Electric Model  
Motor, Table and Components\***

Ref. Catalog		
No.	No.	Description
1	59725 A-199	Switch (115V)
2	61755 A-828	Nut (115V only) (2)
3	90140 A-3001	Screw (4)
4	60020 A-2269	Screw
5	84360 A-2270	Screw
6	60025 A-2271	Screw (2)
7	60060 A-2284	Washer (4)
8	84365 A-2286	Washer
9	60080 A-2289	Lock Washer (4)
10	60205 A-2383	Motor with Table, Screws, Switch with Cord (115V)
11	60210 A-2384	Motor (115V/230V 60 Hz)
12	60215 A-2385	Motor Pulley
13	60230 A-2395	Hex Nut (4)
14	60245 A-2428	Screw (115V only) (2)
15	60840 A-2919	Motor (230V 50 Hz)
16	61835 B-1613	Motor Table
17	84410 B-3601	Switch (230V)
18	76820 C-3501	Motor with Table, Screws, Switch with Cord (230V)

**A-2383 (115V) (Shown)  
C-3501 (230V) (Not Shown)**

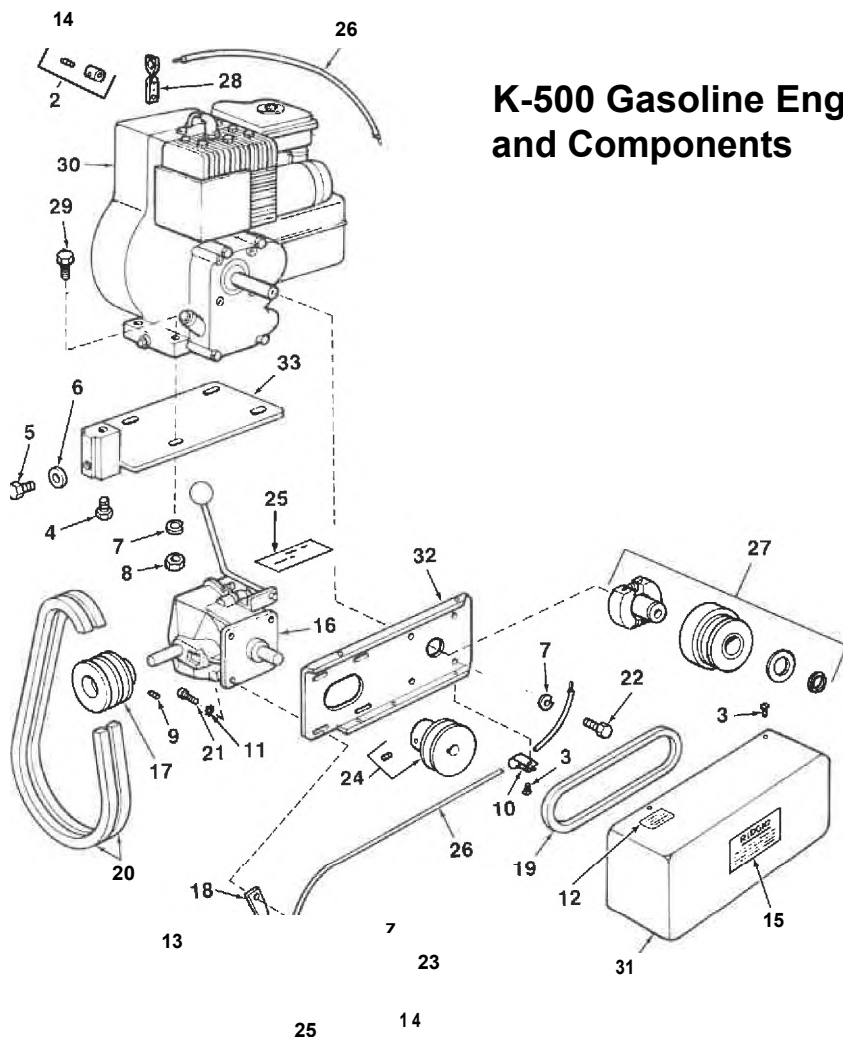
**No. K-500 Explosion-Proof Model  
Motor, Table and  
Components  
C-1897**



Ref. Catalog		
No.	No.	Description
1	61755 A-828	Hex Nut (2)
2	59515 A-1191	Rear Bracket Assembly
3	60000 A-2258	Screw (2)
4	60005 A-2264	Screw (2)
5	90140 A-3001	Screw (5)
6	60020 A-2269	Screw
8	84360 A-2270	Screw
8	60025 A-2271	Screw (2)
9	60060 A-2284	Washer (4)
10	84365 A-2286	Washer
11	60075 A-2288	Lock Washer (6)
12	60080 A-2289	Lock Washer (4)
13	60215 A-2385	Motor Pulley
14	60230 A-2395	Hex Nut (4)
15	60265 A-2441	Screw (4)
16	60820 A-2849	Adjusting Screw
17	60825 A-2851	Screw
18	84375 A-2853	Nipple (2)
19	84380 A-2854	Nipple
20	84385 A-2855	Union
21	84390 A-2856	Sealing Fitting (2)
22	84395 A-2858	Connector
23	84400 A-2859	Reducer
24	90135 A-2861	Elbow (2)
25	69285 A-3646	Cord
26	60815 B-2848	Motor (Explosion-Proof) (115V)
27	62035 B-2852	Switch
28	62335 C-1660	Motor Table
29	62345 C-1874	Switch Bracket
30	90110 C-1897	Motor, Table and Components

**NOTE: Order parts by Catalog Number only.  
DO NOT order by Reference Number.**

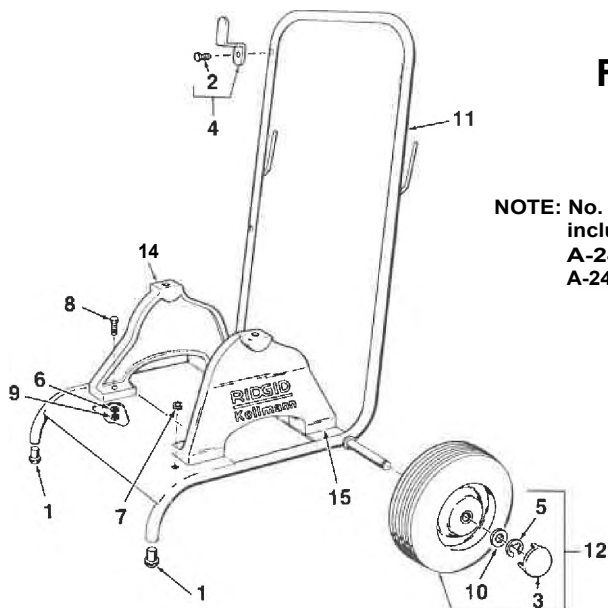
**NOTE: Order parts by Catalog Number only.  
DO NOT order by Reference Number.**



**K-500 Gasoline Engine Model, Transmission, Table and Components**

Ref. No.	Catalog No.	Description
1	61540	A-498 Screw
2	89880	A-6401 Adjustable Cable Stop
3	59990	A-2256 Screw (5)
4	60020	A-2269 Screw
5	84360	A-2270 Screw
6	84365	A-2286 Washer
7	60080	A-2289 Lock Washer (12)
8	60230	A-2395 Nut (4)
9	60745	A-2794 Set Screw
10	61140	A-3275 Clamp
11	61445	A-3592 Washer (4)
12	87965	A-3643 Label
13	87970	A-4326 Nut
14	87975	A-4510 Screw (2)
15	87980	A-4810 Label
16	87985	A-6224 Transmission
17	87995	A-6227 Pulley
18	88005	A-6229 Bracket
19	88030	A-6234 "V" Belt
20	88035	A-6235 "V" Belt (2)
21	88045	A-6275 Screw (4)
22	84725	A-6276 Screw (4)
23	88050	A-6277 Nut (4)
24	88055	A-6278 Pulley w/Set Screw
25	A-6604	Switch Plate
		Comes with Transmission
26	89855	A-6391 Throttle
27	89860	A-6394 Clutch
28	89865	A-6395 Throttle Link
29	89870	A-6396 Screw (4)
30	89875	A-6400 Engine
31	88020	B-6232 Cover
32	87990	B-6225 Mounting Plate
33	88010	A-6230 Engine Table

*Specify Machine Model and Serial Number  
When Ordering Parts*



**Frame and Wheel Assembly No. C-1650**

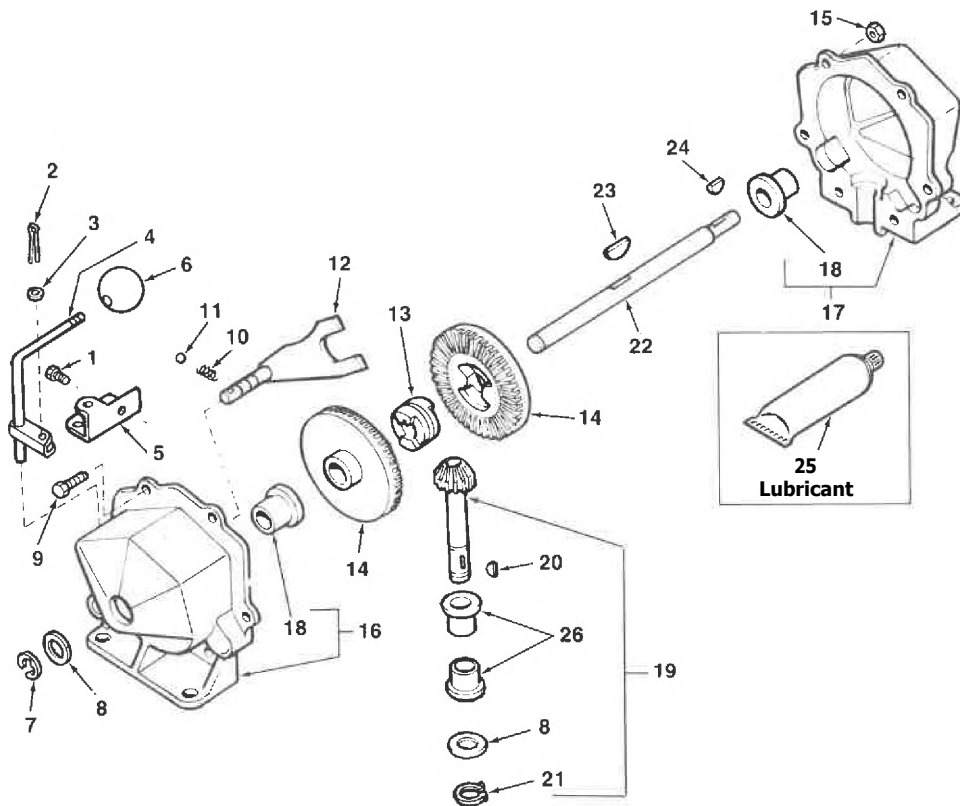
**NOTE: No. C-1650 does not include C-3711, C-3712, A-2481, A-2290 & A-2492**

Ref. No.	Catalog No.	Description
1	61470	A-394 Tip (2)
2	61500	A-427 Screw (2)
3	59700	A-1881 Hub Cap (2)
4	A-2039	Cord Hook Assembly (2)
5	60050	A-2281 Retaining Ring (2)
6	60085	A-2290 Lock Washer (4)
7	60190	A-2356 Grommet
8	60380	A-2481 Screw (4)
9	60395	A-2492 Nut (4)
10	88205	A-6236 Spacer (2)
11	62150	B-3099 Frame
12	61525	C-438-X Wheel (2)
13	62765	C-1650 Frame & Wheel Assembly
14	84440	C-3711 Right Bracket
15	84445	C-3712 Left Bracket



**NOTE: Order parts by Catalog Number only. DO NOT order by Reference Number.**

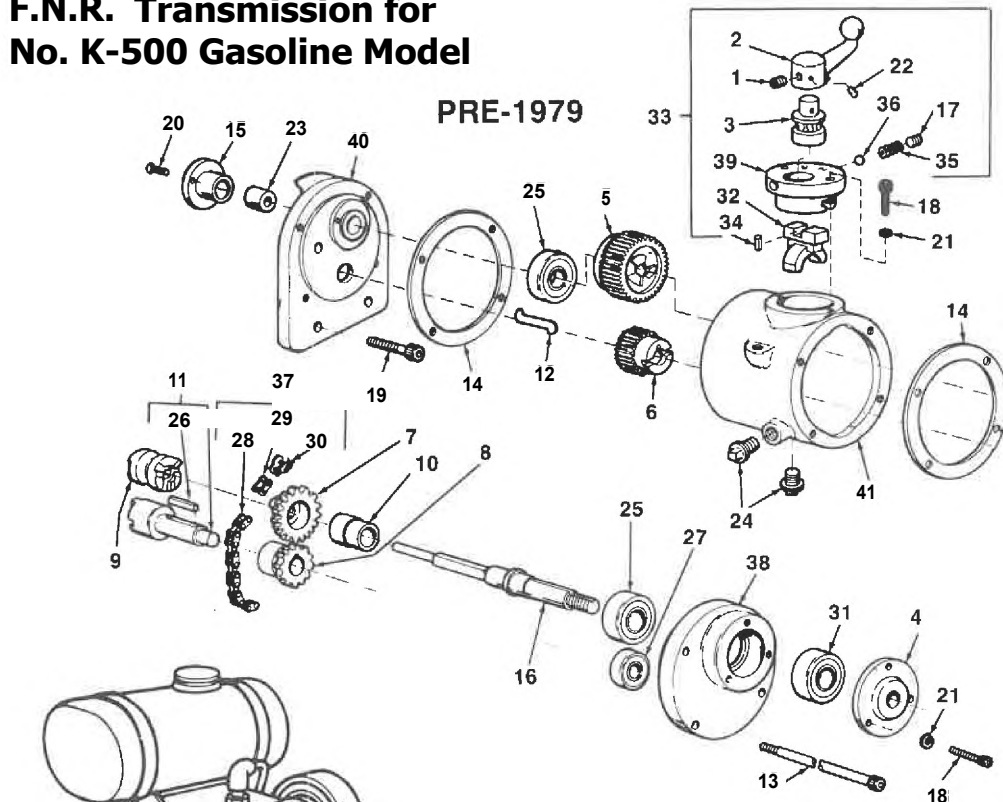
**Transmission A-6224 for K-500G Model**



Ref. No.	Catalog No.	Description	Ref. No.	Catalog No.	Description
—	87985	A-6224 Transmission	14	89955	A-6508 Bevel Gear (42 Teeth) (2)
1	89890	A-6495 Bolt (1/4" - 20 x 3/4")	15	89960	A-6509 Lock Nut (OA" - 20) (6)
2	89895	A-6496 Cotter Pin (7/4" x 1")	16	89965	A-6510 Housing Assembly
3	89900	A-6497 Plain Washer (No.4)	17	89970	A-6511 Housing Assembly
4	89905	A-6498 Shift Lever Assembly	18	89975	A-6512 Flange Bearing (4)
5	89910	A-6499 Shift Lever Bracket	19	89980	A-6513 Input Shaft Assembly
6	89915	A-6500 Shift Lever Knob	20	89985	A-6514 Key
7	89920	A-6501 Retaining Ring	21	89990	A-6515 Retaining Ring
8	89925	A-6502 Shim (As Required)	22	89995	A-6517 Output Shaft
9	89930	A-6503 Bolt (6)	23	90000	A-6518 Key (Hi-Pro)
10	89935	A-6504 Detent Spring	24	90005	A-6519 Key
11	89940	A-6505 Detent Ball	25	90010	A-6520 Gear Lubricant
12	89945	A-6506 Clutch Shift Yoke Assembly	26	40447	Flange Bearing (2)
13	89950	A-6507 Clutch Collar			

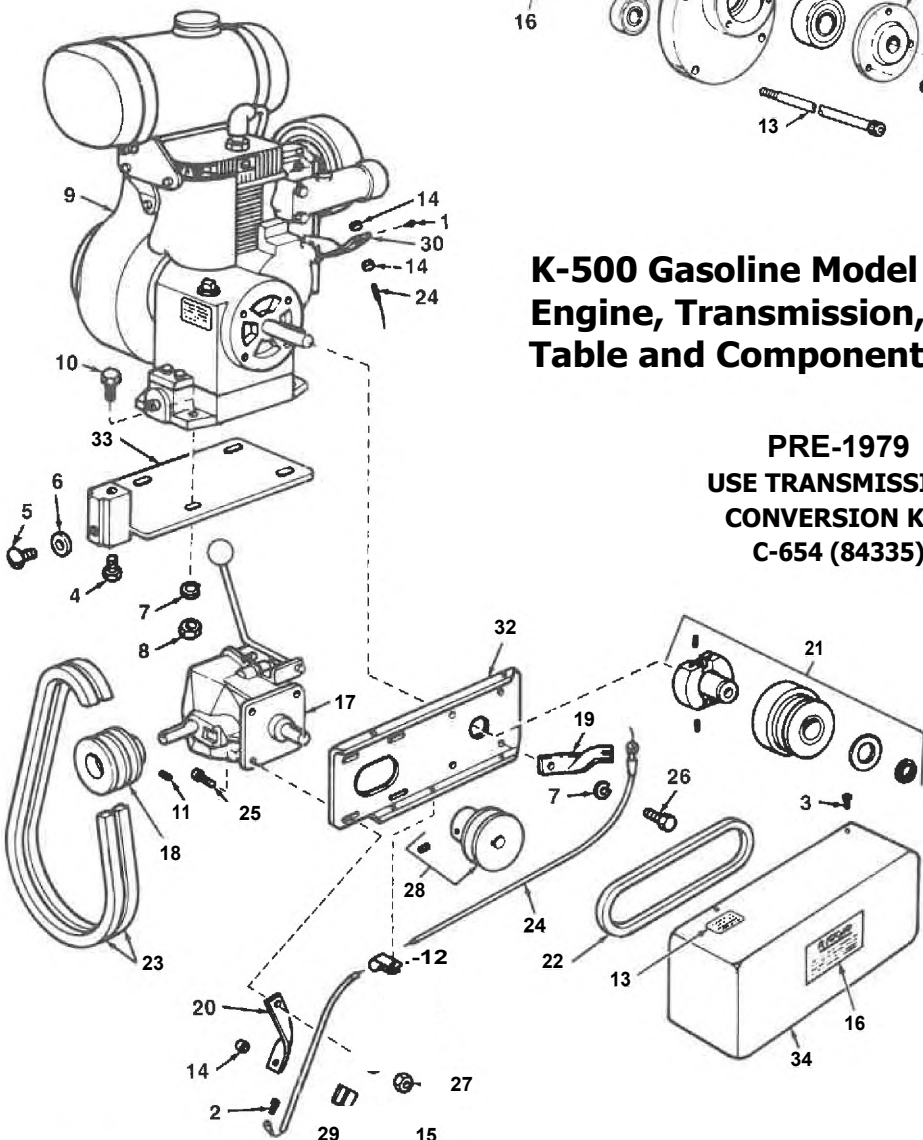
Specify Machine Model and Serial Number When Ordering Parts.

**F.N.R. Transmission for  
No. K-500 Gasoline Model**



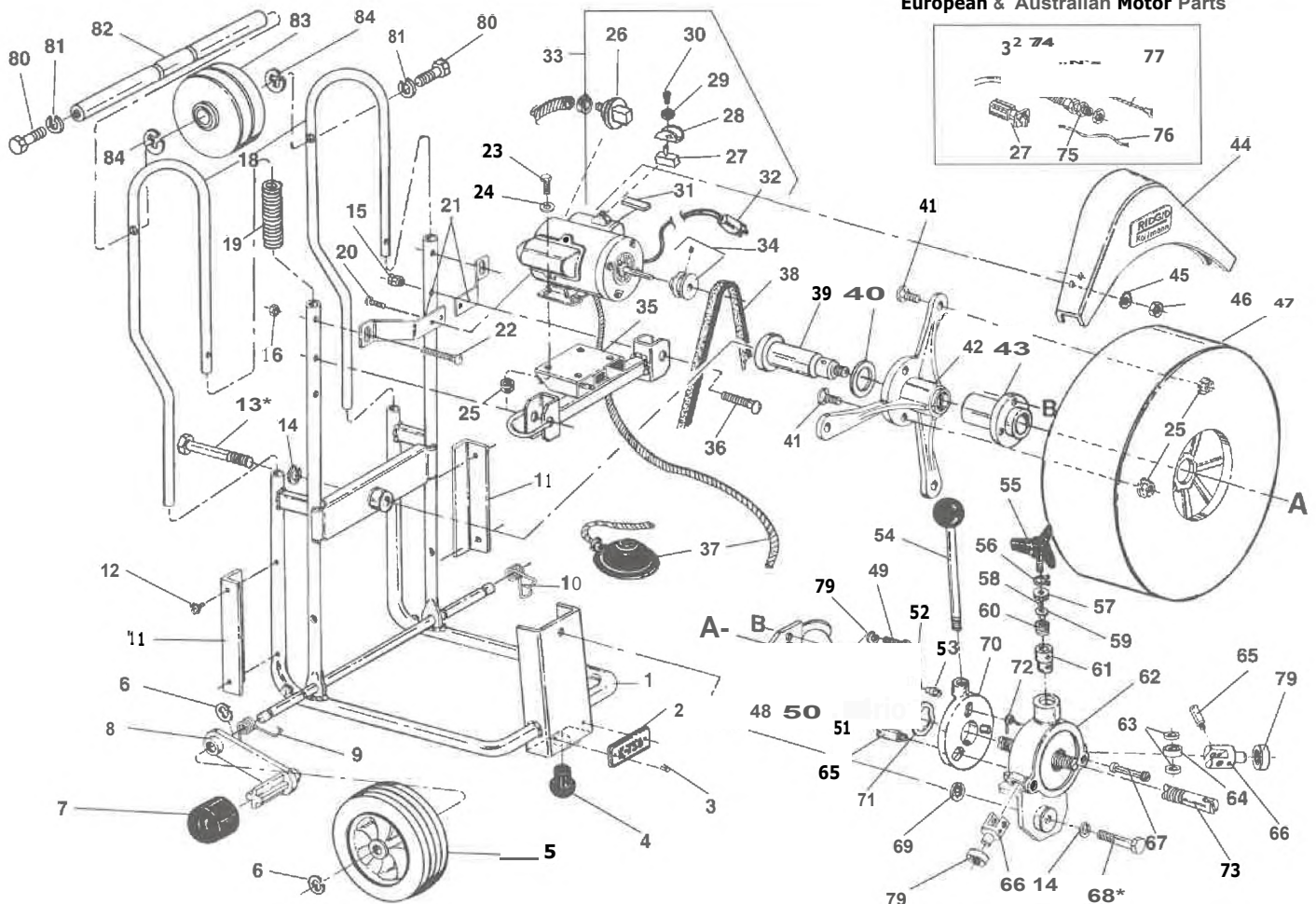
Ref. No.	Catalog No.	Description
1	60330	A-247 Set Screw
2	61650	A-659 Shift Lever
3	61655	A-660 Support
4	61665	A-664 Cover
5	61670	A-665 Gear
6	61675	A-666 Gear
7	61680	A-667 Sprocket
8	61685	A-668 Sprocket
9	61690	A-670 Spline Clutch
10	61695	A-671 Bushing
11	61700	A-672 Drive Shaft
12	61705	A-673 Key
13	61710	A-730 Screw (4)
14	61720	A-749 Gasket (2)
15	61730	A-769 Adapter
16	59540	A-1297 Drive Shaft
17	60025	A-2271 Set Screw (2)
18	60030	A-2273 Screw (6)
19	60040	A-2278 Screw (4)
20	60045	A-2280 Screw (3)
21	60070	A-2287 Lock Washer (6)
22	60285	A-2459 Roll Pin
23	60450	A-2514 Bushing
24	60455	A-2515 Plug (2)
25	60460	A-2518 Bearing (2)
26	60465	A-2519 Key
27	60470	A-2520 Bearing
28	60475	A-2521 Chain
29	60480	A-2522 Connecting Link
30	60485	A-2523 Offset Link
31	60490	A-2524 Bearing
32	60495	A-2525 Clutch Yoke
33	76755	A-2527 Lever Assembly
34	60500	A-2528 Spring Pin
35	76835	A-3616 Spring (2)
36	76840	A-3617 Ball (2)
37	76860	A-3621 Chain Assembly
38	62200	B-657 Front Cover
39	62205	B-658 Housing
40	76845	B-3618 Back Cover
41	69220	C-655 Housing

**K-500 Gasoline Model  
Engine, Transmission,  
Table and Components**



**PRE-1979  
USE TRANSMISSION  
CONVERSION KIT  
C-654 (84335)**

Ref. No.	Catalog No.	Description
1	61485	A-414 Drive Screw (3)
2	61540	A-498 Screw
3	59990	A-2256 Screw (5)
4	60020	A-2269 Screw
5	84360	A-2270 Screw
6	84365	A-2286 Washer
7	60080	A-2289 Lock Washer (12)
8	60230	A-2395 Nut (4)
9	60445	A-2512 Engine
10	60515	A-2531 Screw (4)
11	60745	A-2794 Set Screw
12	61140	A-3275 Clamp
13	87965	A-3643 Label
14	87970	A-4326 Nut (3)
15	87975	A-4510 Screw
16	87980	A-4810 Label
17	87985	A-6224 Transmission
18	87995	A-6227 Pulley
19	88000	A-6228 Bracket
20	88005	A-6229 Bracket
21	88015	A-6231 Clutch
22	88030	A-6234 "V" Belt
23	88035	A-6235 "V" Belt (2)
24	88040	A-6274 Throttle
25	88045	A-6275 Screw (4)
26	84725	A-6276 Screw (4)
27	88050	A-6277 Nut (4)
28	88055	A-6278 Pulley
29	88060	A-6281 Clamp
30	88065	A-6289 Link
31	88020	B-6232 Cover
32	87990	B-6225 Mounting Plate
33	88010	B-6230 Table
34	88020	B-6232 Cover



European & Australian Motor Parts

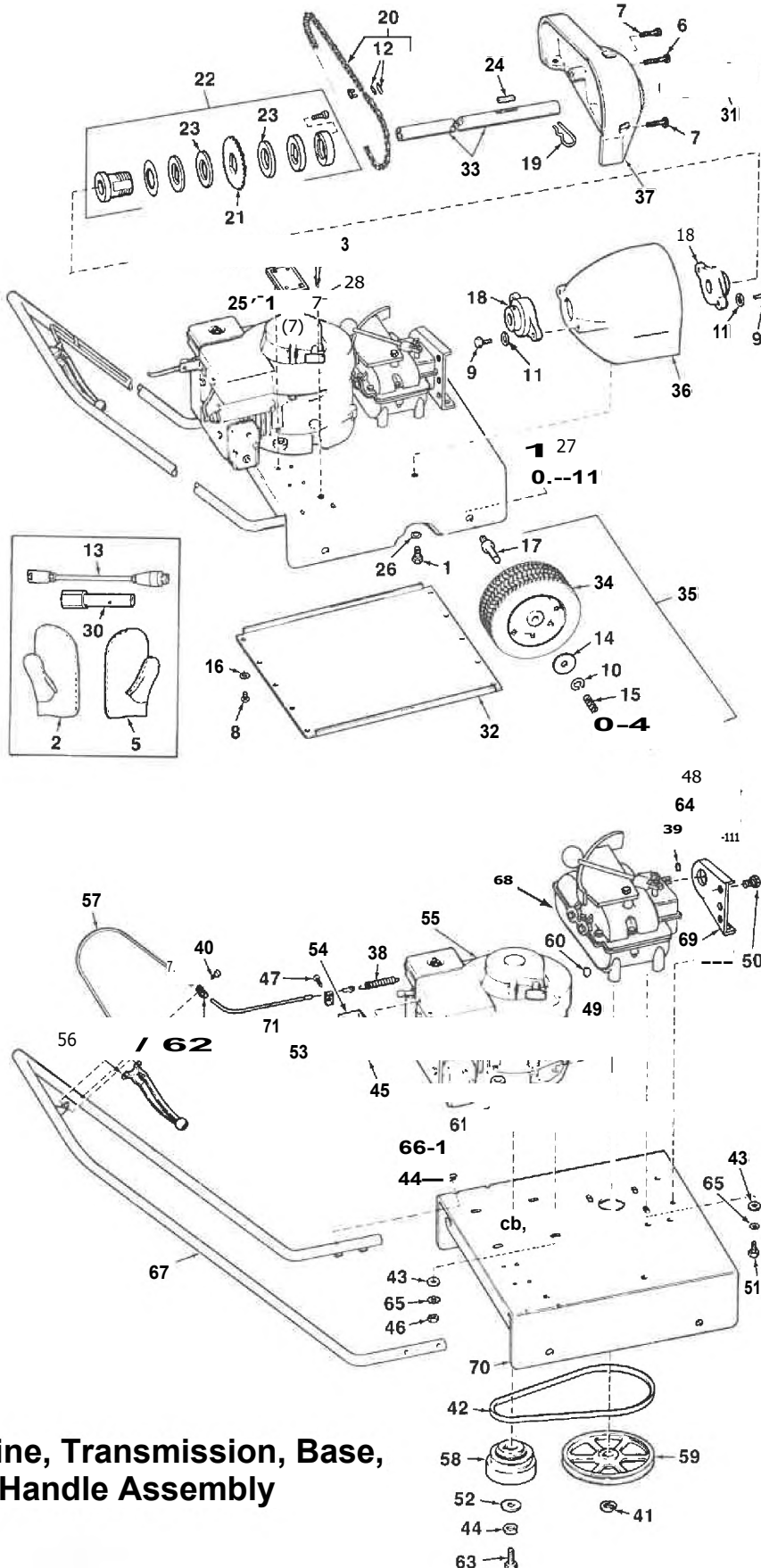
Ref. No.	Catalog No.	Description	Ref. No.	Catalog No.	Description	Ref. No.	Catalog No.	Description
1	43902	Frame Assembly	30	23507	Rubber Boot	56	93500	Retaining Ring
2	43907	Name Plate	31	23687	For/Rev Label	57	93600	Knurled Nut
3	76730	Drive Screw (4)	32	60255	120V Power Cord	58	42560	Ball V."
4	61470	Rest Button	44512	240V Power Cord (Aust.)	59	93475	Ball Holder	
5	93325	Wheel (2)	15707	220V Power Cord	60	93375	Spring	
6	42580	Retaining Clip (4)	39562	220V Power Cord (Eur.)	61	44062	Moveable Roller Holder	
7	23607	End Cap (2)	43977	120V 60 Hz Motor Assy.	62	44067	Autofeed Housing	
8	43912	Stabilizer (2)	45052	220/240V 50 Hz Motor Assy.	63	93460	Spacer (6)	
9	43917	Stabilizer Spring L.H.	44517	220/240V 50 Hz Motor Assy. (Eur.)	64	44077	Ball Bearing (3)	
10	43922	Stabilizer Spring R.H.	44522	220/240V 50 Hz Motor Assy. (Aust.)	65	44082	Actuator Pin (6)	
11	43927	Stair Climber (2)	34	43982	Motor Pulley	66	44087	Stationary Roller Hld (2)
12	43932	Self Tapping Screw (4)	35	43987	Motor Mount Assembly	67	44092	Roller Holder Cam (2)
13*	43937	Screw W-13 x 5' Hex Hd (Torque to 60-65 ft. lbs.)	36	43992	Hex Hd Screw/a -16 x 2'	68*	45287	Screw 1/2"-13 x 2" Hex Hd (Torque to 25-30 ft. lbs.)
14	43942	1/2' Lockwasher (2)	37	44072	Foot Switch Assembly	69	44102	Bolt Retainer
15	43947	Locknut	38	43997	Drive Belt	70	44107	Feed Actuator
16	80370	1/4"-20 Hex Nut	39	44002	Drum Shaft	71	44112	Retaining Ring
17	60075	1/4" Lock Washer	40	44007	Thrust Washer	72	44097	Torsion Spring (3)
18	43952	Handle (2)	41	44012	Flat Head Screw (6)	73	44117	1/4" Pigtail Assembly
19	43957	Compression Spring	42	44017	Support Hub	74	44122	3/8" Pigtail Assembly
20	43962	Screw 10-24 x 1/2" (4)	43	44022	Spindle Bearing	75	44635	Wire Nut
21	43967	Guard Bracket (2)	44	44027	Belt Guard	76	27187	Strain Relief
	44502	Guard Bracket (Eur. & Aust.) (2)	45	61310	External Lock Washer (4)	77	44882	Jumper Wire Assy.
22	43972	Carriage Bolt (2)	46	87970	Nut 10-24 (4)	78	44877	Lead Wire Assy.
23	61130	Screw (4)	47	44032	Drum	79	45150	1/4" Lockwasher (3)
24	60060	sw Flat Washer (4)	48	44037	Guide Tube Assembly	80	45412	Thrust Bearing
25	27517	3/8"-18 Lock Nut (10)	49	44052	Screw 1/4x20 x 1/2" S.H. (3)	81	43847	Hex Bolt 3/16"-18 x 172"
26	32992	Air Switch	50	44042	1/9" Flat Washer	82	60080	Lock Washer 'he
27	23612	Switch	51	44047	Internal Lock Washer	83	46632	Axle
	44862	Switch (Aust. & Eur.)	52	44057	Hex Nut 5/16"-18	84	46637	Loading Wheel
28	61490	Switch Guard	53	89810	Grease Fitting		60050	Retaining Ring
29	23512	Rubber Washer	54	93630	Clutch Handle Assembly			
			55	93580	Feed Knob			

**Service Note**

To remove the Movable Roller Holder (Ref. 61) remove the Retaining Ring (Ref. 56) and place the end of the cable in the Autofeed Assy. (between the Ball Bearings, Ref. 64). Tighten the Feed Knob (Ref. 55) until the Knurled Nut (Ref. 57) pops out.

**Torque Limiter, Body, Guard, Drive Shaft and Wheel Assembly**

**NOTE: Order parts by Catalog Number only.  
DO NOT order by Reference Number.**



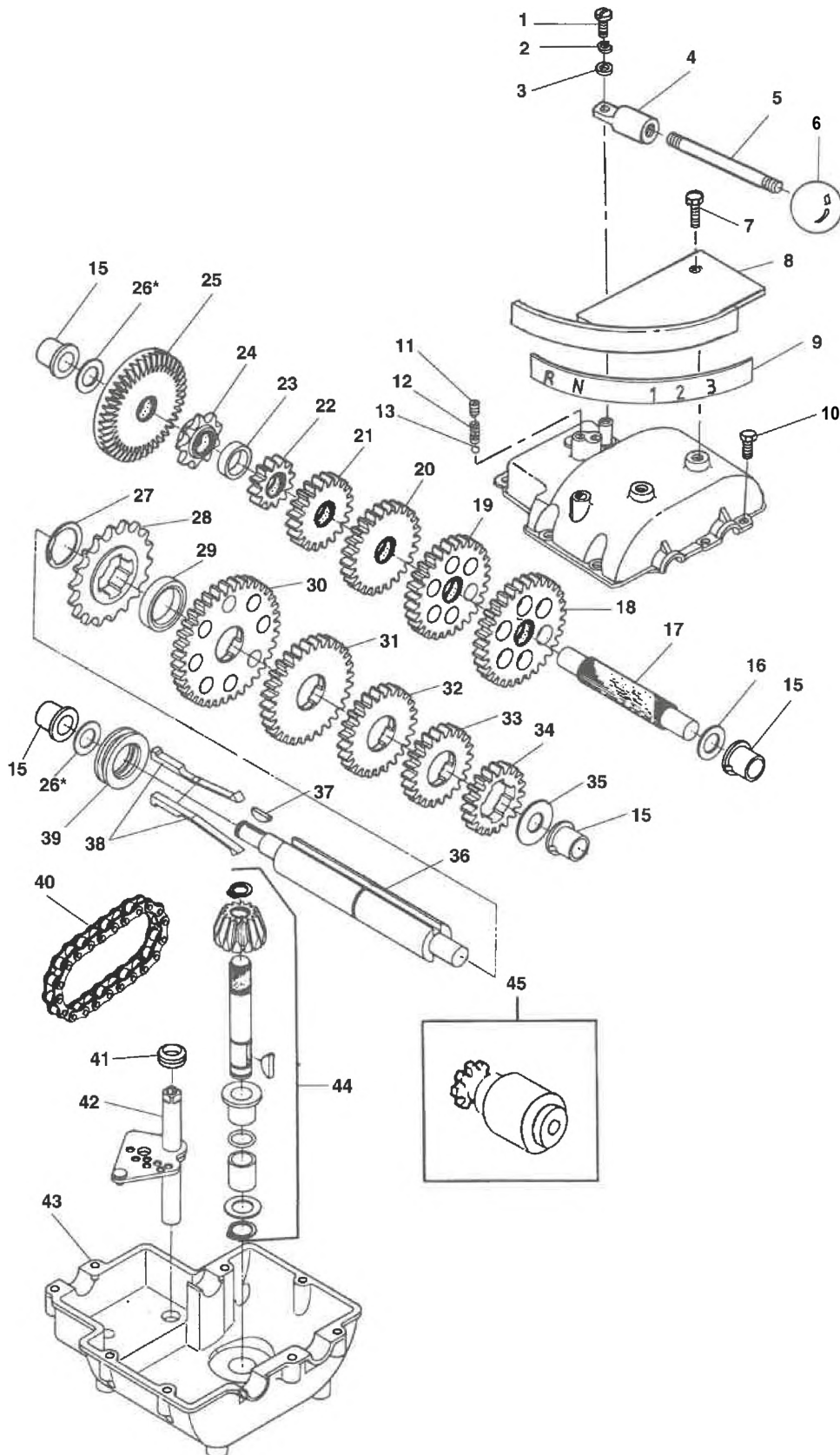
Ref. No.	Catalog No.	Description
1	59785 A-210	Bolt (4)
2	59205 A-532	A-1 Glove (Left)
3	59225 A-899	Coupling Pin Key
4	59700 A-1881	Hub Cap (4)
5	59295 A-2129	A-2 Glove (Right)
6	59915 A-2192	Screw
7	59920 A-2193	Screw (2)
8	60000 A-2258	Screw (10)
9	60020 A-2269	Bolt (4)
10	60050 A-2281	Retaining Ring (4)
11	60090 A-2292	Lock Washer (8)
12	60625 A-2643	Master Link
13	60700 A-2704	Tool Adapter
14	60995 A-3039	Washer (4)
15	61000 A-3041	Spring (4)
16	61310 A-3439	Washer (10)
17	61345 A-3546	Axle (4)
18	61375 A-3562	Main Bearing w/Set Screw (2)
19	61400 A-3567	Drive Pin
20	61405 A-3568	Chain (Incl. Ref. No. 12)
21	61410 A-3569	Sprocket
22	61415 A-3570	Torque Limiter
23	61420 A-3571	Fiber Disc (2)
24	61425 A-3572	Key
25	62185 A-3573	Name Plate
26	61450 A-3593	Lock Washer (4)
27	61455 A-3612	Nut (4)
28	61460 A-3613	Grommet
29	76880 A-3682	Drive Screw (4)
30	84690 A-4558	Torque Testing Tool
31	62170 B-3542	Rod Holder
32	62175 B-3547	Cover
33	62180 8-3548	Drive Shaft
34	62420 C-3556	Wheel (4)
35	62430 C-3611	Wheel Assembly (Incl. Ref. No. 4, 10, 14, 15, 17 & 34)
36	62485 D-3543	Body
37	62490 D-3544	Guard
38	59545 A-132	Spring
39	60860 A-297	Retaining Ring
40	61500 A-427	Self-Tapping Screw
41	61555 A-505	Retaining Ring
42	59805 A-2139	"V" Belt
43	60060 A-2284	Washer (8)
44	60085 A-2290	Lock Washer (5)
45	60200 A-2382	Nut
46	60230 A-2395	Nut (4)
47	60235 A-2404	Screw
48	60265 A-2441	Screw
49	60515 A-2531	Hex Head Bolt (4)
50	61110 A-3247	Self-Tapping Screw (2)
51	61130 A-3251	Hex Head Bolt (6)
52	61275 A-3339	Washer
53	61310 A-3439	Washer (2)
54	61350 A-3554	Bracket
55	61360 A-3559	Engine
56	61365 A-3560	Throttle Handle
57	61370 A-3561	Throttle Cable
58	61380 A-3563	Centrifugal Clutch
59	61385 A-3564	Pulley
60	61390 A-3565	Key
61	61395 A-3566	Key
62	61430 A-3574	Clamp
63	61435 A-3577	Hex Head Bolt
64	61440 A-3591	Lock Washer
65	61445 A-3592	Lock Washer (8)
66	76870 A-3672	Screw (4)
67	62415 C-3552	Handle Assembly
68	61355 C-3558	Transmission
69	62425 C-3610	Chain Guard
70	62495 D-3545	Base
71	—	—

\*Standard Hardware Item. May Be Purchased Locally.

**Engine, Transmission, Base, and Handle Assembly**

NOTE: Order parts by Catalog Number only.  
DO NOT order by Reference Number.

Transmission No. 40407



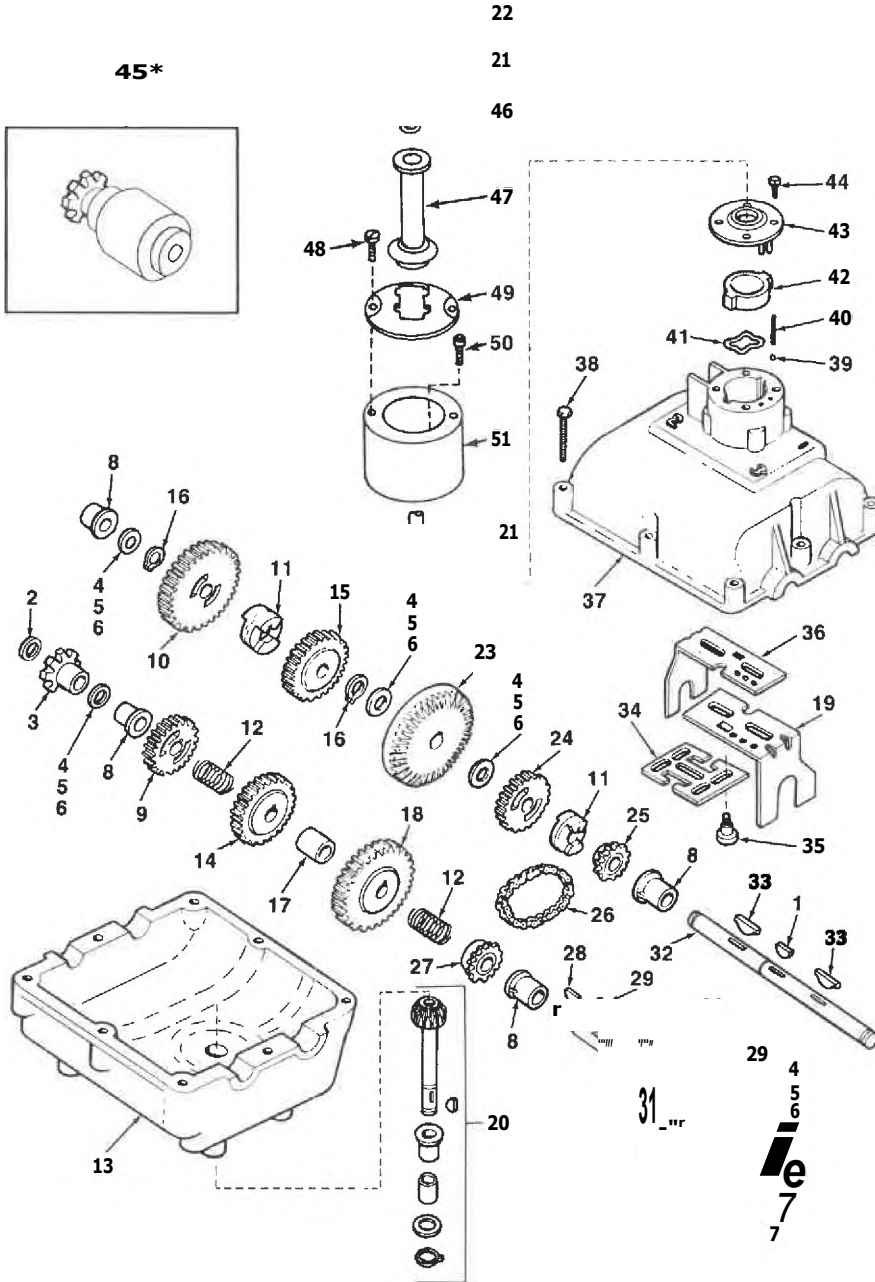
Ref. No.	Catalog No.	Description
1	61540	F.H. Screw, 1/4-28 x
2	60075	Lock Washer, 1/4"
3	84720	Flat Washer, 1/4"
4	43772	Shift Adaptor
5	93630	Shift Handle
6	59585	Knob
7	60010	Hex Bolt, 5/16 x 1/2"
8	43777	Indicator Bracket
9	47472	Shift Indicator Decal
10	40910	Screw, 1/4-20 x 3/4" (8)
11	46395	Set Screw, 1/4-20 x 1/2" (2)
12	40437	Detent Spring (2)
13	84650	Detent Ball (2)
14	40442	Upper Housing
15	40447	Bearing Flange (4)
16	40452	Washer .640 x 1.00 x .060
17	40457	Drive Shaft
18	40462	Spur Gear 31T
19	40467	Spur Gear 28T
20	40472	Spur Gear 25T
21	40477	Spur Gear 20T
22	40482	Spur Gear 15T
23	40487	Spacer
24	40492	Sprocket 10T
25	40497	Bevel Gear 42T
26*	40502	Shim Kit
27	40507	Retaining Ring
28	40512	Sprocket 14T
29	40517	Spacer
30	40522	Spur Gear 35T
31	40527	Spur Gear 30T
32	40532	Spur Gear 25T
33	40537	Spur Gear 22T
34	40542	Spur Gear 19T
35	40547	Washer .640 x 1.37 x .061
36	40552	Output Shaft
37	84595	No. 4 Woodruff Key
38	40557	Clutch Key
39	40562	Clutch Collar
40	84585	Chain
41	40567	V-Ring
42	40572	Shifter Assembly
43	40577	LoWer Housing
44	40582	Input Shaft Assembly
45	16197	Torque Limiter

Transmission 40407 used on K-1000, Serial No. 2311 and up.

\*Use in various combinations to maintain proper clearances.

**Transmission No. 61355 (C-3558)**

**NOTE: Order parts by Catalog Number only. DO NOT order by Reference Number.**

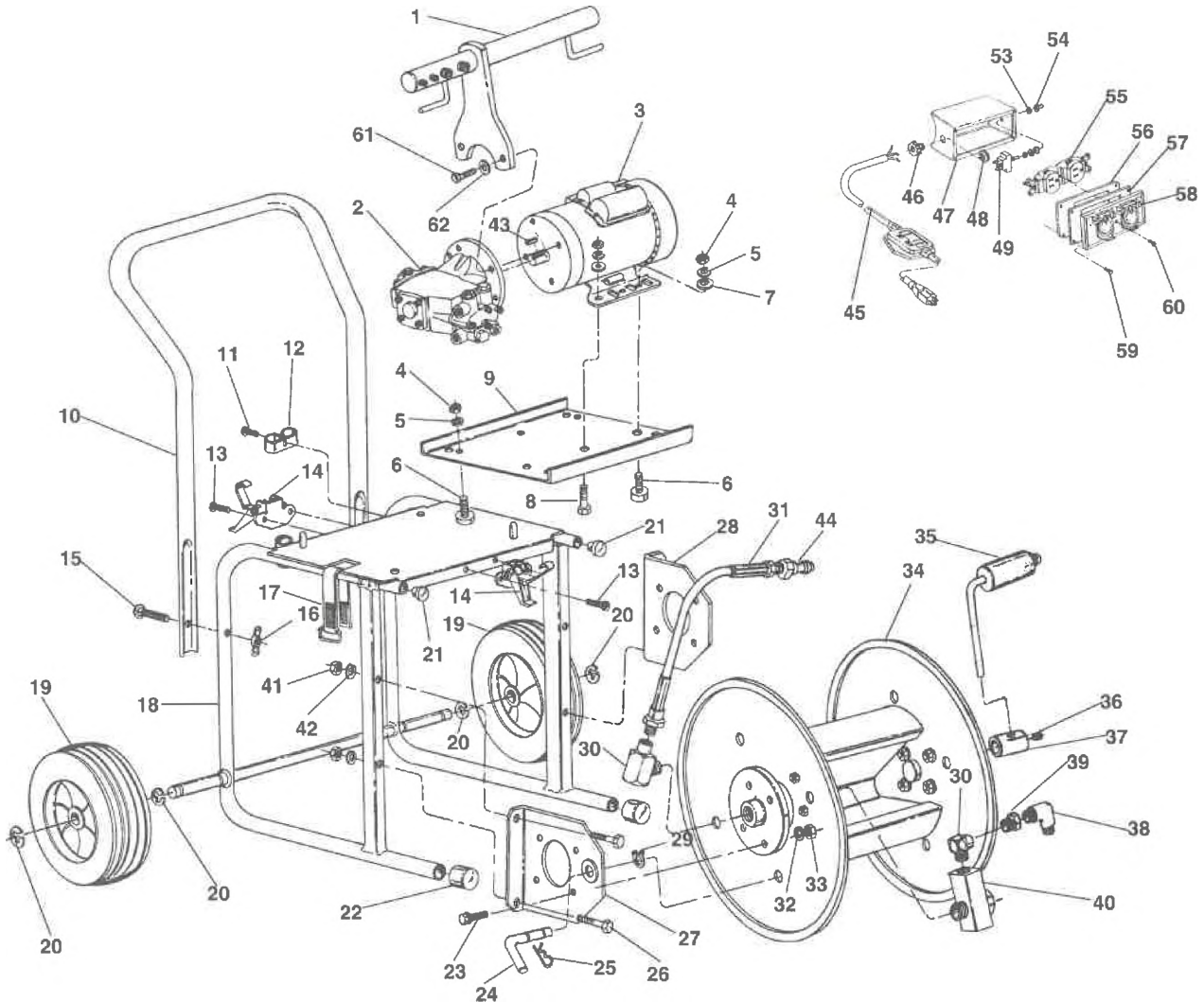


Ref. No.	Catalog No.	Description
	61355	C-3558 Transmission
1	61390	A-3565 No. 9 Woodruff Key
2	84465	A-4401 Retaining Ring
3	84470	Sprocket (8 Tooth)
4	84475	A-4403 Washer (.030")
5	84480	A-4404 Washer (.040")
6	84485	A-4405 Washer (.050")
7	84490	A-4406 Retaining Ring (3)
8	84495	A-4407 Flange Bearing
9	84500	A-4408 Gear (20 Tooth)
10	84505	A-4409 Gear (30 Tooth)
11	84510	A-4410 Clutch Collar (2)
12	84515	A-4411 Compression Spring (2)
13	84520	A-4412 Lower Housing
14	84525	A-4413 Gear (25 Tooth)
15	84530	A-4414 Gear (25 Tooth)
16	84535	A-4415 Retaining Ring (2)
17	84540	A-4416 Spacer
18	84545	A-4417 Gear (30 Tooth)
19	84550	A-4418 Shifter Fork (L.H.)
20	84555	A-4419 Input Shaft Assembly Kit
21	84560	A-4420 Shift Lever Assembly
22	84565	A-4421 Shift Knob
23	84570	A-4422 Bevel Gear (42 Tooth)
24	84575	A-4423 Gear (20 Tooth)
25	84580	A-4424 Sprocket (12 Tooth)
26	84585	A-4425 Chain
27	84590	A-4426 Sprocket (12 Tooth)
28	84595	A-4427 No. 4 Woodruff Key
29	84600	A-4428 No. 3 Woodruff Key (2)
30	84605	A-4429 No. 61 Woodruff Key (2)
31	84610	A-4430 Output Shaft
32	84615	A-4431 Drive Shaft
33	84620	A-4432 Key (2)
34	84625	A-4433 Lock Out Plate
35	84630	A-4434 Shoulder Screw
36	84635	A-4435 Shifter Fork (R.H.)
37	84640	A-4436 Upper Housing
38	84645	A-4437 Screw (8)
39	84650	A-4438 Detent Ball
40	84655	A-4439 Detent Spring
41	84660	A-4440 Wave Washer
42	84665	A-4441 Nylon Insert
43	84670	A-4442 Nylon Cover
44	84675	A-4443 Screw (4)
45*	16197	Torque Limiter
46	23247	Spring
47	23252	Stem Assy.
48	16417	Screw (2)
49	23257	Cap Plate
50	93680	Screw (4)
51	23262	Gearshift Base

\* Reference No. 45 used on K-1000, Serial No. 1598 and up

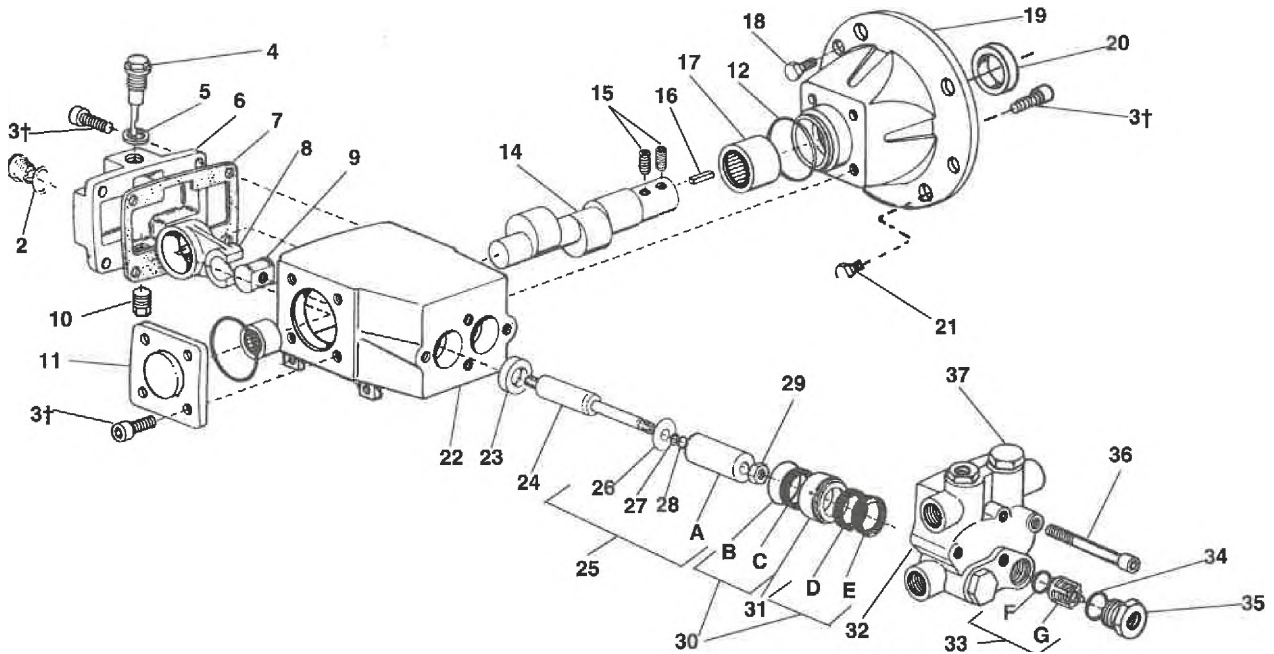
Cart Components

NOTE: Order parts by Catalog Number Only  
DO NOT order by Reference Number.



Ref. No.	Catalog No.	Description	Ref. No.	Catalog No.	Description	Ref. No.	Catalog No.	Description
1	48092	Handle	27	48247	Mounting Bracket, Lock	53	23512	Rubber Washer
2	48097	Pump	28	48242	Mounting Bracket, Plain	54	23507	Rubber Boot
3	48027	Motor 115 V, 60 Hz, 14 Amp	29	48282	Retaining Ring	55	48032	Duplex Outlet
4	60230	Hex Nut, 5/16-18 (6)	30	48262	Street El, 'AM - 3/4"	56	48042	Gasket
5	60080	Lock Washer 5/16 (6)	31	47997	Output Hose	57	48037	Cover Plate
6	48187	Rubber Feet (4)	32	44740	Lock Washer, 1/4 (8)	58	48047	Weather Proof Cover
7	60060	Flat Washer 5/16 (4)	33	80370	Hex Nut, 1/2-20 (8)	59	61500	Screw (4)
8	61130	Hex Screw 5/16-18 x 3/4" (2)	34	48022	Hose Reel Complete	60	59985	Screw, #6-32 x 1/4
9	48182	Base Plate	35	48252	Crank Assembly	61	75350	Hex Screw 3/4-16 x 114(2)
10	47977	Cart Handle	36	46800	Set Screw, 3/9-16 x 3/16	62	45035	Flat Washer 1/2 (2)
11	48017	Screw, #10-24 x	37	48257	Crank Hub			
12	48012	Spring Clip	38	47992	Elbow, Male 1/4	<b>Not Shown:</b>		
13	27017	Screw #12-24 x (4)	39	47987	Bushing 3/16 - 1/4	48067		Wire Nut
14	47972	Latch (2)	40	48267	Swivel Connector	59955		Ring Terminal
15	23617	Carriage Bolt, 3/16-16 x 2 (2)	41	60230	Hex Nut, 5/16 (4)	85930		Spade Terminal (2)
16	47982	Wing Nut, 1/2 (2)	42	60080	Lock Washer, 5/16 (4)	48072		Female Terminal (2)
17	48007	Cinch Strap	43	47677	Key	48077		Lead Wire - Black (2)
18	47967	Frame Weldment	44	48002	Male Quick Connect	48082		Ground Wire - Green
19	23597	Wheel (2)	45	48062	Cord, 35' w/GFI	48087		Label, On/Off
20	60050	Retaining Ring (4)	46	36732	Strain Relief	48227		Decal, Instruction
21	61470	Rubber Plug (2)	47		Outlet Box - Part of Motor	48232		Decal, Warning
22	23607	End Cap (2)	48	48052	Nut, Strain Relief	48237		Name Plate
23	86785	Hex Screw 1/4-20 x 12(8)	49	48057	Toggle Switch	76730		Drive Screw (4)
24	48272	Locking Pin	50	46590	Lock Nut	47542		Jet Head Cleaning Tool
25	48277	Hitch Pin	51	75695	Lock Washer			
26	43847	Bolt 5/16-18 x 1/2 (4)	52	75700	Lock Ring			

**Pump Assembly**

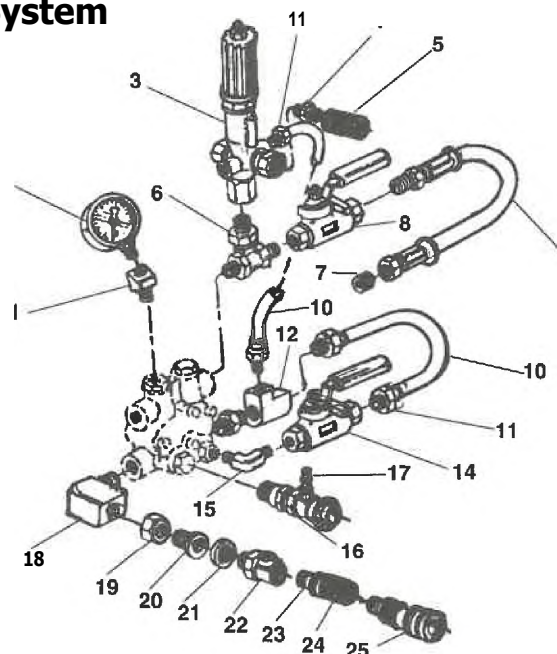


Ref. No.	Catalog No.	Description	Ref. No.	Catalog No.	Description	Ref. No.	Catalog No.	Description
1	47792	Sight Glass	14	47652	Crankshaft	27	47712	Backup Seal (2)
2	47692	Gasket	15	47752	Set Screw <sup>1</sup> / <sub>4</sub> -28 x <sup>1</sup> / <sub>4</sub> (2)	28	47697	O-Ring (2)
3†	40910	Screw, 7,-20 x V, Soc. Hd. (12)	16	47677	Key <sup>1</sup> / <sub>4</sub> x <sup>1</sup> / <sub>4</sub> , x 1	29	47757	Retaining Nut <sup>1</sup> / <sub>8</sub> -24 (2)
4	47787	Dipstick	17	47727	Roller Bearing	30	47802	Plunger Seal Kit
5	47687	Gasket	18	75350	Hex Bolt, <sup>1</sup> / <sub>8</sub> -16 x 1 <sup>1</sup> / <sub>4</sub>	31	47717	Cup Retainer (2)
6	47667	Cover	19	47667	C-Flange <b>End</b> Cover	32	47642	Head
7	47682	Gasket	20	47732	Seal	33	47797	Valve Kit
8	47647	Connecting Rod (2)	21	85915	Hex Bolt, <sup>1</sup> / <sub>8</sub> -16 x <sup>3</sup> / <sub>4</sub> (2)	34	47702	O-Ring (4)
9	47777	Wrist Pin (2)	22	47637	Crankcase	35	47772	Valve Cap, V, NPT (2)
10	47782	Drain Plug, <sup>1</sup> / <sub>4</sub> NPT	23	47737	Oil Seal (2)	36	47747	Socket Head Cap Screw (4)
11	47657	End Plate	24	47812	Lower Plunger (2)	37	47767	Valve Cap (2)
12	47707	O-Ring (2)	25	47807	Plunger Kit (2)			
13	47722	Roller Bearing (2)	26	47762	Slinger Ring (2)			

†Use mild thread locking compound.

**Flow Control System**

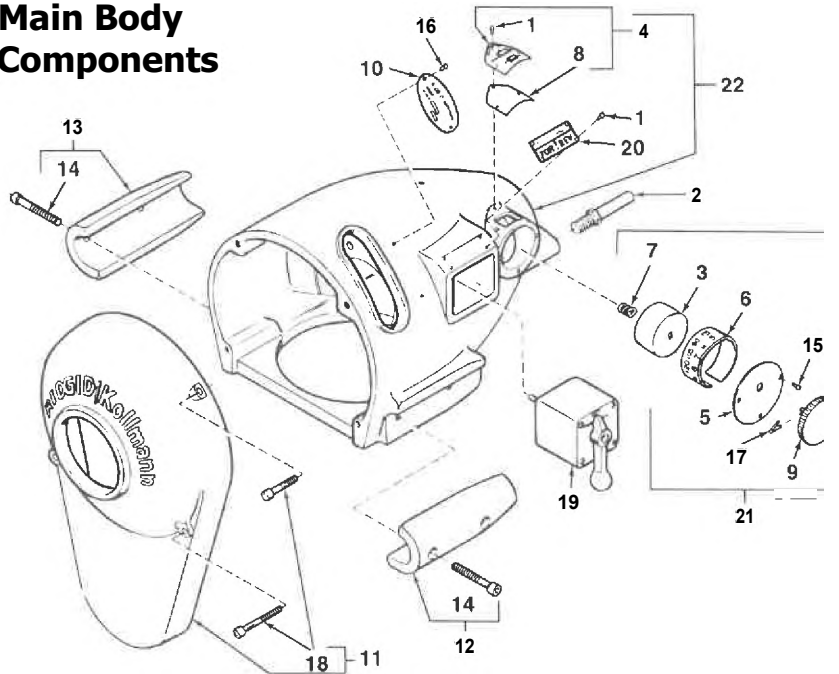
Ref. No.	Catalog No.	Description
1	48107	Street El, 45°
2	48102	Gage, 2000 PSI
3	48122	Unloading Valve
4	47987	Bushing, <sup>3</sup> / <sub>4</sub> to <sup>1</sup> / <sub>4</sub>
5	48117	Socket Assy, <sup>1</sup> / <sub>2</sub> , NPT Male
6	48112	Male Tee, <sup>1</sup> / <sub>2</sub> NPT
7	48137	Pipe Plug <sup>1</sup> / <sub>2</sub> NPT
8	48127	Valve, 1, NPT
9	48132	Hose, 18"
10	48162	Hose, V, x 9" (2)
11	48157	Swivel, V, Male NPTF (4)
12	48177	Street Tee, V,
13	48152	Bushing, <sup>1</sup> / <sub>2</sub> to <sup>1</sup> / <sub>4</sub>
14	48167	Valve, <sup>1</sup> / <sub>2</sub> ,
15	48172	Male El, V,
16	48207	Injector
17	48212	Hose Barb
18	48147	Street El, <sup>1</sup> / <sub>2</sub> NPT
19	48142	Nut
20	48217	Fitting, <sup>1</sup> / <sub>2</sub> NPT
21	48287	Filter Washer
22	48192	Shut-Off
23	48202	Nipple
24	48197	Coupler
25	48222	Pressure Reducer



**NOTE: Order parts by Catalog Number Only  
DO NOT order by Reference Number.**



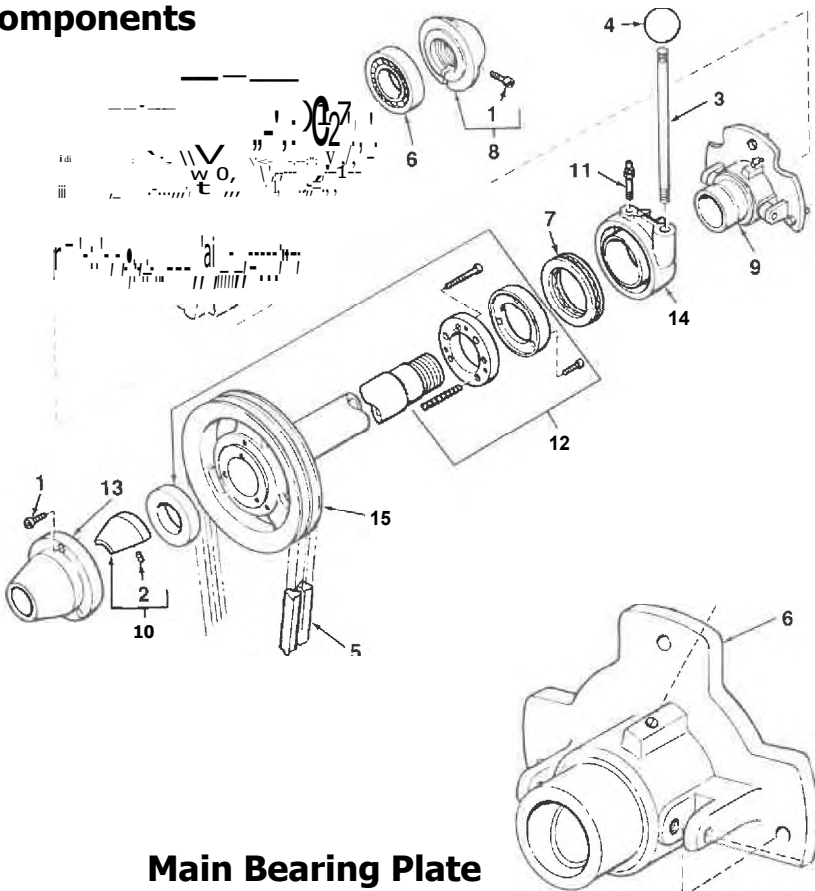
**Main Body Components**



**NOTE: Order parts by Catalog Number only. DO NOT order by Reference Number.**

Ref. No.	Catalog No.	Description
1	61480	A-413 Screw (7)
2	59580	A-1515 Guide Pin (2)
3	76655	A-1526 Cable Counter Drum
4	59595	A-1527 Cable Counter Cover Plate Assembly (Incl. Ref. No. 1, & 8)
5	76660	A-1528 Retainer Plate
6	76665	A-1574 Number Strip
7	76670	A-1579 Spring
8	59610	A-1582 Cable Counter Window
9	76705	A-1955 Knob
10	76710	A-2032 Name Plate
11	62755	A-2178 Guard with Screws (Incl. Ref. No. 18)
12	59900	A-2188 Left Hanger Cap with Screws (Incl. Ref. No. 14)
13	59905	A-2189 Right Hanger Cap with Screws (Incl. Ref. No. 14)
14	59930	A-2195 Screw (4)
15	59985	A-2255 Screw (3)
16	76730	A-2261 Screw (2)
17	60055	A-2283 Cotter Pin
18	60140	A-2308 Guard Screw (4)
19	60940	A-3021 Switch
20	76875	A-3680 Plate
21	61950	B-1954 Counter
22	62465	D-2449 Body Assembly

**Main Drive Components**



**Main Bearing Plate Assembly A-3023**

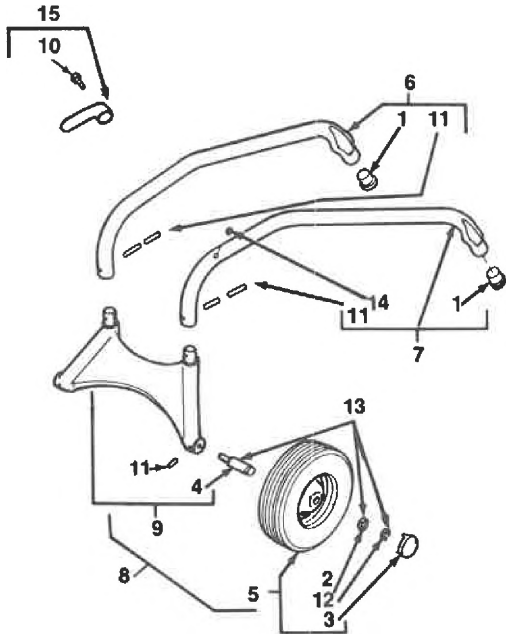
Ref. No.	Catalog No.	Description
1	60910	A-300 Screw (3)
2	61330	A-350 Set of 3 Springs
3	59575	A-1511 Handle
4	59585	A-1521 Ball
5	60130	A-2306 "V" Belt (2)
6	60390	A-2489 Bearing
7	60920	A-3017 Thrust Bearing
8	60935	A-3020 Lock Nut
9	60950	A-3023 Bearing Assembly
10	61040	A-3142 Jaw (3 per set) 1/4"
	62830	A-3152-X Jaw (3 per set) 7/8"
	62825	A-3153-X Jaw (3 per set) 3/4"
11	89810	A-6150 Grease Fitting
12	86720	A-6346 Clutch Collar
13	76680	B-1589 Clutch Cone
14	76685	B-1594 Clutch Casting
15	61840	B-1658 Pulley & Shaft Assembly

Ref. No.	Catalog No.	Description
	60950	A-3023 Plate Assembly Complete
1	59495	A-110 Pin (2)
2	61015	A-308 Roller (2)
3	44590	E-1503 Set of 5 Screws
4	60925	A-3018 Roller (2)
5	89815	A-6151 Grease Fitting
6	76690	B-1672 Main Plate

12 1  
3 4

**NOTE: Order parts by Catalog Number only.  
DO NOT order by Reference Number.**

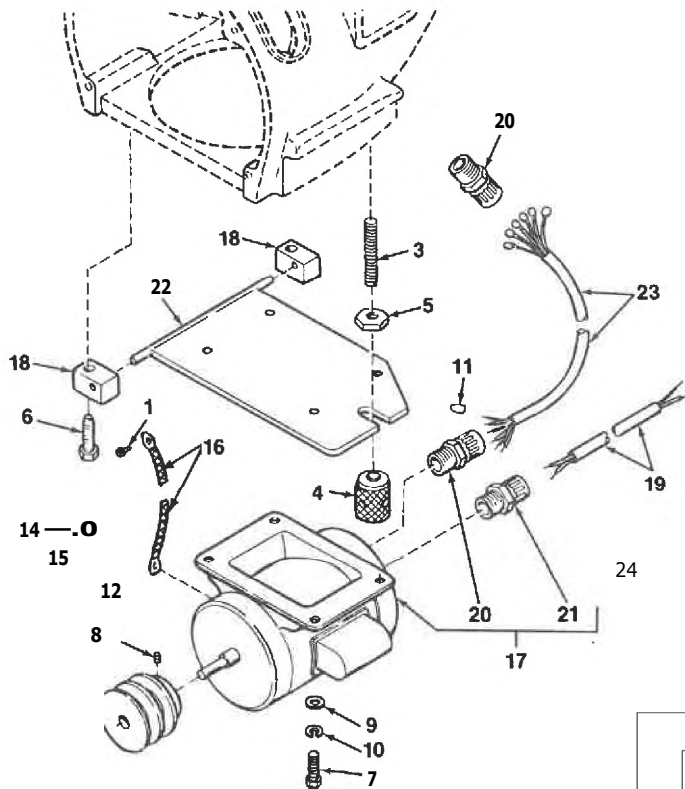
**Frame and Wheel Assembly**



Ref. Catalog No.	No.	Description	Ref. Catalog No.	No.	Description
1	61470	A-394 Plug (2)	9	69230	A-2458 Name Plate Assy. (Incl. Ref. No. 11 & 4)
2	59675	A-1809 Washer (2)	10	61500	A-427 Screw (2)
3	59700	A-1881 Hub Cap (2)	11	76735	A-2262 Spring Pin (4)
4	76700	A-1904 Axle (2)	12	60050	A-2281 Retaining Ring (2)
5	61525	C-4384 Wheel (2) (Incl. Ref. No. 2, 3, 12)	13	60125	A-2305 Axle Assembly (2)
6	59885	A-2183 Right Leg	14	60190	A-2356 Grommet
7	59890	A-2184 Left Leg	15	61965	B-2039-XCord Hook with Screws
8	59895	A-2187 Frame Assembly (Incl. Ref. No. 5 & 9)			

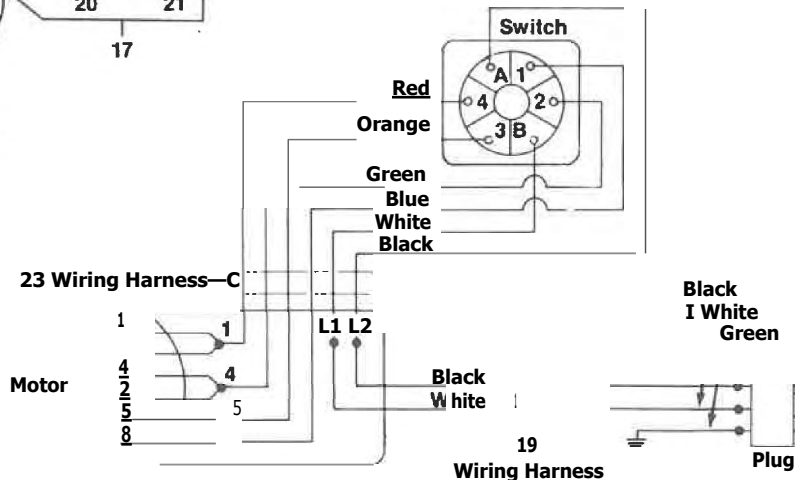
Specify Machine Model and Serial Number when ordering parts.

**Motor Table and Components**

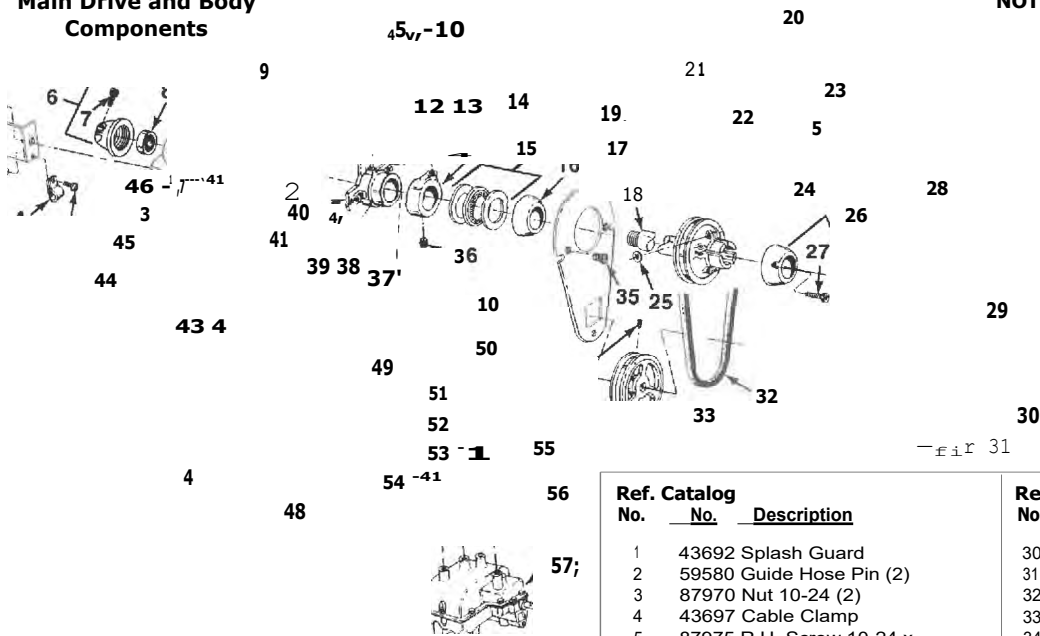


Ref. Catalog No.	No.	Description
1	61500	A-427 Screw
2	59620	A-1596 Pulley
3	92145	A-7083 Adjusting Stud
4	59665	A-1781 Mount Locknut
5	59670	A-1782 Adjusting Nut
6	59925	A-2194 Screw (2)
7	60010	A-2265 Screw (4)
8	60025	A-2271 Set Screw
9	60060	A-2284 Washer (4)
10	60080	A-2289 Lock Washer (4)
11	60185	A-2348 Wire Nut (6)
12	61095	A-3192 Ground Lug (2)
13	61285	A-3377 Screw
14	61310	A-3439 Lock Washer (2)
15	61315	A-3440 Washer (2)
16	76805	A-3452 Bonding Braid
17	69270	A-3472 Motor (115V, 60 Hz) (Incl. Ref. No. 20 and 21)
18	69275	A-3517 Hinge (2)
19	84420	A-3669 Wire Assembly
20	96745	A-7526 Cord Connector (2)
21	96265	A-7476 Cord Connector
22	61940	B-1925 Motor Table
23	76800	B-3450 Wire Harness Assembly
24	60255	Cord w/Plug

**Wiring Diagram (115V, 60 Hz)**



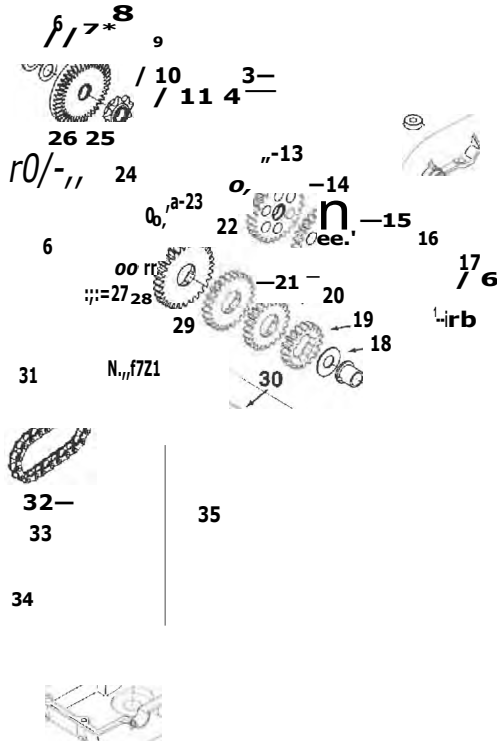
**Main Drive and Body Components**



**NOTE: Order parts by Catalog Number only. DO NOT order by Reference Number.**

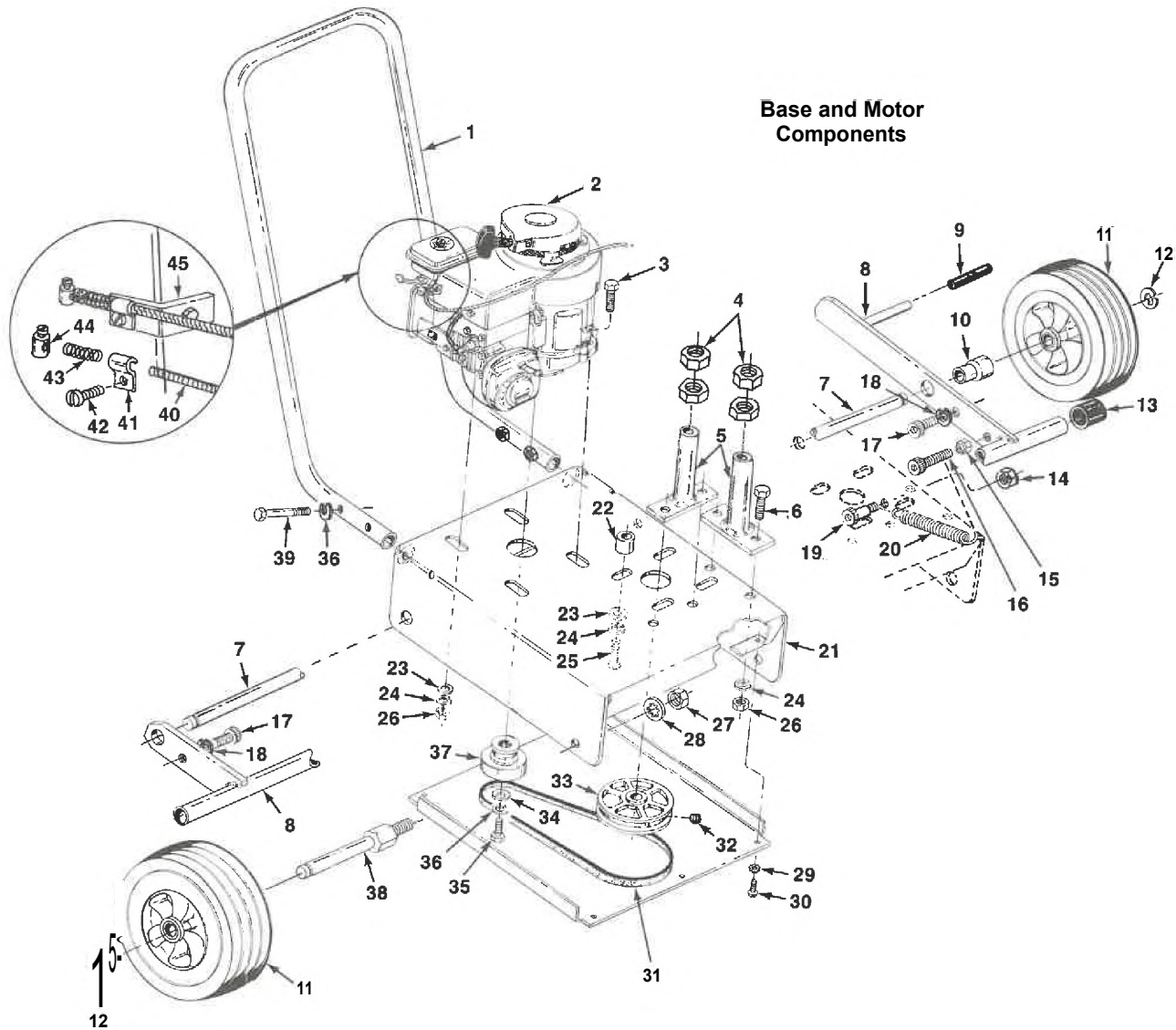
Ref. Catalog No.	No.	Description	Ref. Catalog No.	No.	Description
1	43692	Splash Guard	30	43717	Label
2	59580	Guide Hose Pin (2)	31	44510	Soc. Hd. Screw 1/4-20 x 2"
3	87970	Nut 10-24 (2)	32	43722	V-Belt - Cable
4	43697	Cable Clamp	33	43727	Pulley - Cable
5	87975	R.H. Screw 10-24 x	34	60025	Set Screw (2)
6	60935	Lock and Adj. Nut (Incl. #7)	35	60265	Hex Screw 1/4-20 x 1/2" (2)
7	60910	Soc. Hd. Screw 1/4-20 x	36	93560	Pan Screw 1/4-20 x 5/8"
8	60930	Ball Bearing	37	61015	Roller (2)
9	43702	Body	38	23592	Pin (2)
10	59585	Knob	39	34175	Retaining Ring (2)
11	59575	Clutch Handle	40	45247	Main Bearing with Bronze Bushing
12	89815	Grease Fitting	41	43732	Bracket - Body
13	68875	F.H. Screw 5/16-18 x (3)	42	85915	Hex Head Screw 3/8" x
14	43707	Clutch Casting	43	87975	R.H. Screw 10-24 x 1/10"
15	23677	Thrust Bearing Assembly	44	43737	Clutch Cable
16	23572	Clutch Cone	45	43742	Cable Clamp - Body
17	43712	Inside Guard	46	43747	Nut ve
18	23562	Pulley and Shaft Assembly	47	43757	Hex Head Screw (4)
19	59325	"hi" Jaw Assembly	48	43762	Mounting Bracket
	59320	1 1/4" Jaw Assembly	49	84435	Bronze Bushing
20	60145	Rocker Arm Kit	50	93630	Shift Handle
21	60155	Spring (3)	51	61540	F.H. Screw 1/4-28 x 1/2"
22	59530	Rocker Arm Set	52	60075	Lockwasher 1/4"
23	60150	Rocker Arm Pin w/Clip (3)	53	84720	Flatwasher 1/4"
24	90105	Pin (3)	54	60010	Bolt 1/6-18 x 1/2"
25	76740	Retaining Ring (3)	55	43772	Shift Adaptor
26	59500	Nose Piece	56	43777	Indicator Bracket
27	84425	Screw (2)	57	43782	Transmission
28	23547	Front Guard			
29	23652	Soc. Hd. Screw 1/4 x 2 1/4 (3)			

**Transmission Components**



Ref. Catalog No.	No.	Description	Ref. Catalog No.	No.	Description
1	40910	SHCS 1/4-20 x 1/4" (8)	19	40542	Spur Gear 19T
2	46395	Set Screw Y4-20 x 1/2" (2)	20	40537	Spur Gear 22T
3	40437	Detent Spring (2)	21	40532	Spur Gear 25T
4	84650	Detent Ball (2)	22	40527	Spur Gear 30T
5	40442	Upper Housing	23	40522	Spur Gear 35T
6	40447	Bearing Flange (4)	24	40517	Spacer
7	40502	Shim Kit (2)	25	40512	Sprocket 14T
8	40497	Bevel Gear 42T	26	40507	Retaining Ring
9	40492	Sprocket 10T	27	40562	Clutch Collar
10	40487	Spacer	28	40557	Clutch Key
11	40482	Spur Gear 15T	29	84595	No. 4 Woodruff Key
12	40477	Spur Gear 20T	30	40552	Output Shaft
13	40472	Spur Gear 25T	31	84585	Chain
14	40467	Spur Gear 28T	32	40567	V- R ing
15	40462	Spur Gear 31T	33	40572	Shifter Assembly
16	40457	Drive Shaft	34	40577	Lower Housing
17	40452	Washer .640 x 1.00 x .060	35	40582	Input Shaft
18	40547	Washer .640 x 1.37 x .061			

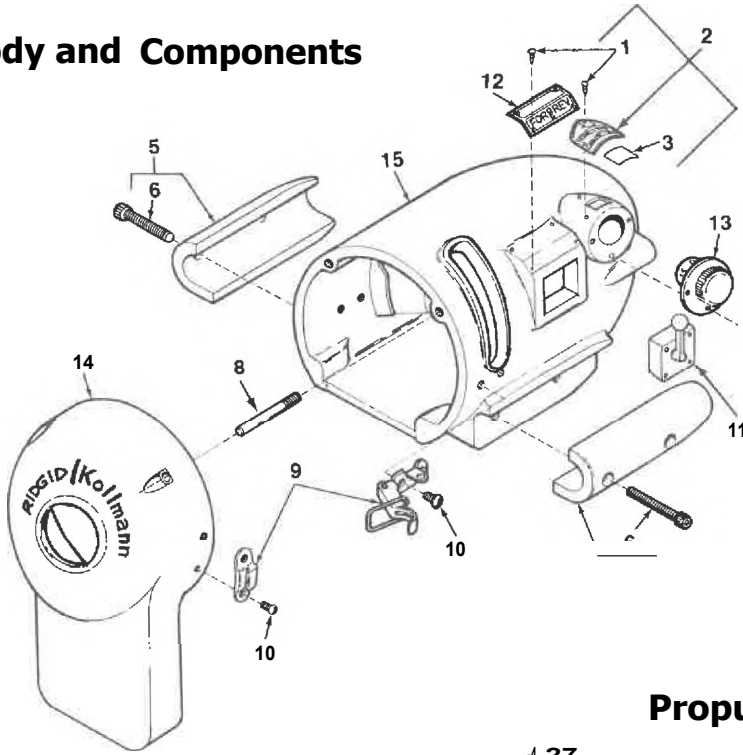
\*Use in various combinations to maintain proper clearance.



Ref. No.	Catalog No.	Description	Ref. No.	Catalog No.	Description	Ref. No.	Catalog No.	Description
1	43752	Handle Assembly	16	60805	Hex Hd Screw $\frac{9}{16}$ -16 x 1 $\frac{1}{2}$ " (2)	31	60130	Belt
2	61360	Engine	17	96900	SHCS $\frac{9}{16}$ -16 x $\frac{1}{8}$ " (2)	32	60025	Set Screw
3	60515	Hex Hd Screw $\frac{5}{16}$ -18 x 1 $\frac{1}{4}$ " (4)	18	43807	Lockwasher $\frac{9}{16}$ " (2)	33	43832	Pulley-Trans
4	43827	Hex Nut 1"-8 (4)	19	84680	Shld Screw $\frac{3}{8}$ x $\frac{1}{2}$ " (2)	34	61275	Washer $\frac{3}{8}$
5	43822	Mounting Bracket Supports (2)	20	43812	Extension Spring (2)	35	61435	Hex Screw $\frac{9}{16}$ x 1 - 1 $\frac{1}{4}$
6	61130	Hex Hd. Screw $\frac{5}{16}$ -18 x $\frac{3}{4}$ (4)	21	43817	Base Assembly	36	60085	Lockwasher $\frac{3}{8}$ (4)
7	43842	Rear Axle	22	43852	Spacer-Trans. (4)	37	61380	Clutch
8	43787	Stabilizer Assembly	23	60060	Flatwasher $\frac{5}{16}$ " (8)	38	43837	Front Axle
9	61605	Handle Grip	24	61445	Ext. Lockwasher $\frac{3}{8}$ " (12)	39	76870	Hex Hd Screw $\frac{3}{8}$ - 16 x 2 $\frac{1}{4}$ (5)
10	43792	Spacer-Axle (2)	25	43847	Hex Hd Screw $\frac{5}{16}$ -18 x 1 $\frac{1}{2}$ " (4)	40	43737	Clutch Cable
11	23597	Wheel (4)	26	60230	Hex Nut $\frac{5}{16}$ -18 (8)	41	43742	Cable Clamp
12	60050	Retaining Ring (4)	27	61455	Hex Nut $\frac{1}{2}$ -13 (2)	42	36787	#10 Self Tap Screw
13	23607	End Cap (2)	28	60090	Lockwasher $\frac{1}{2}$ " (2)	43	43857	Spring F/Cable
14	80370	Hex Nut $\frac{1}{4}$ -20 (2)	29	61310	Lockwasher #10 (6)	44	43862	Cable Stop
15	43747	Locknut $\frac{9}{16}$ (4)	30	60000	Rd Hd Screw 10-32 x $\frac{9}{16}$ (6)	45	43867	Bracket - Mtr

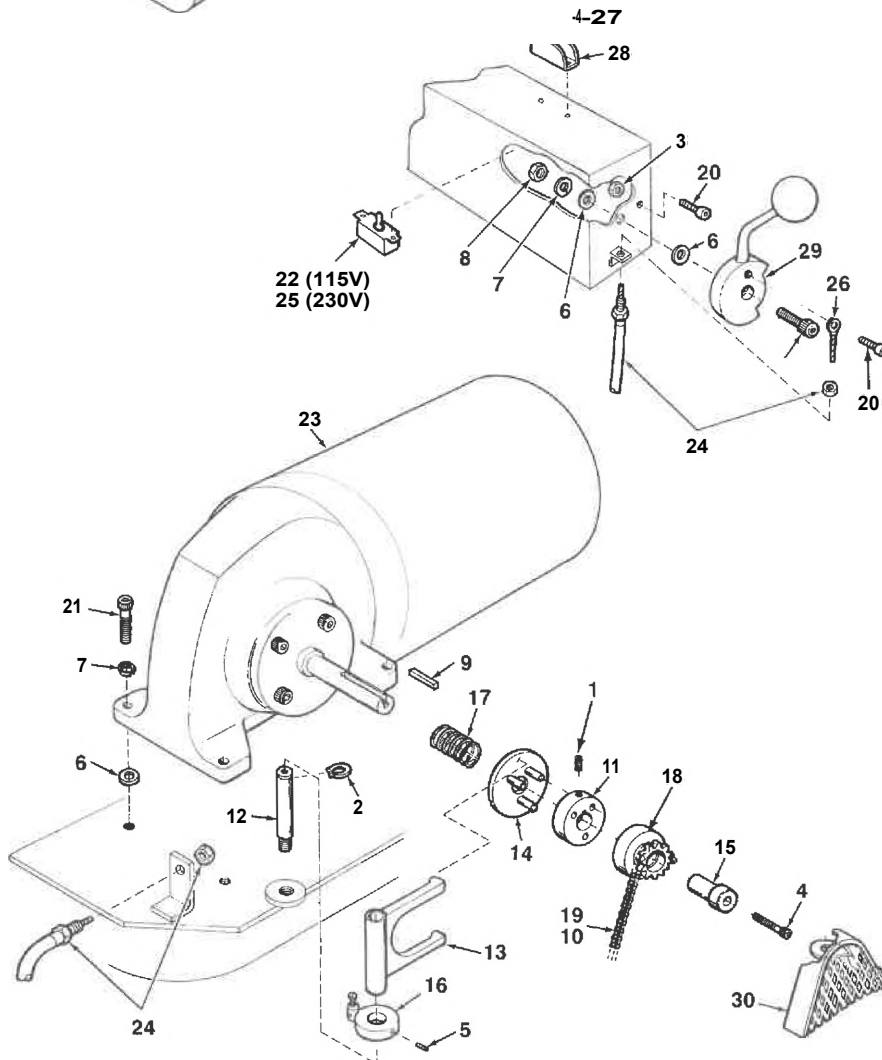
**Body and Components**

**NOTE: Order parts by Catalog Number only. DO NOT order by Reference Number.**



Ref. Catalog No.	No.	Description
1	61480	A-413 Drive Screw (7)
2	59595	A-1527 Plate (Incl. 1 & 3)
3	59610	A-1582 Window
4	59900	A-2188 Hanger (Left)
5	59905	A-2189 Hanger (Right)
6	59930	A-2195 Screw (4)
7	59985	A-2255 Screw (3)
8	60565	A-2624 Pin (2)
9	60570	A-2625 Latch (2)
10	60575	A-2626 Screw (8)
11	60940	A-3021 Switch
12	76875	A-3680 Plate
13	61950	B-1954 Counter
14	62475	C-2623 Guard
15	62470	D-2622 Body (Incl. Ref. No. 1, 2, 3, & 12)

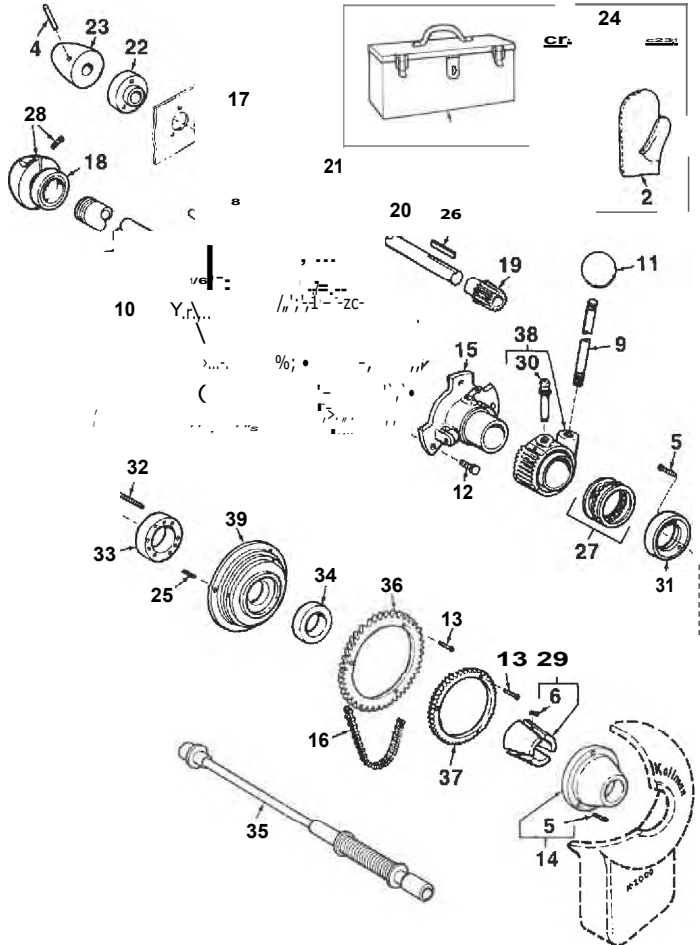
**Propulsion Drive Components and Switch**



Ref. Catalog No.	No.	Description
1	60330	A-247 Screw
2	60860	A-297 Retaining Ring
3	61755	A-828 Nut
4	59935	A-2200 Screw with Washer
5	60025	A-2271 Screw
6	60060	A-2284 Washer (5)
7	60080	A-2289 Lock Washer (5)
8	60230	A-2395 Nut
9	60425	A-2504 Key
10	60480	A-2522 Connecting Link
11	60520	A-2560 Clutch Driver
12	60525	A-2562 Hinge Pin
13	60530	A-2565 Clutch Yoke
14	60535	A-2568 Clutch Plate
15	60540	A-2570 Sprocket Bushing
16	60555	A-2579 Yoke Ring
17	60660	A-2663 Spring
18	60675	A-2697 Sprocket
19	60830	A-2867 Drive Chain
20	87895	A-2979 Screw (2)
21	90140	A-3001 Screw (5)
22	61035	A-3140 Switch (115V, 60 Hz)
23	69255	A-3236 Gear Motor 1970 & On 115V/230V, 60/50 Hz
24	76865	A-3640 Clutch Cable
25	90150	A-3954 Switch (230V, 50 Hz)
26	90155	A-6041 Eyelet
27	90160	A-6144 Screw (2)
28	61985	B-1967 Switch Guard
29	69225	B-2043 Clutch Handle
30	62030	B-2789 Guard

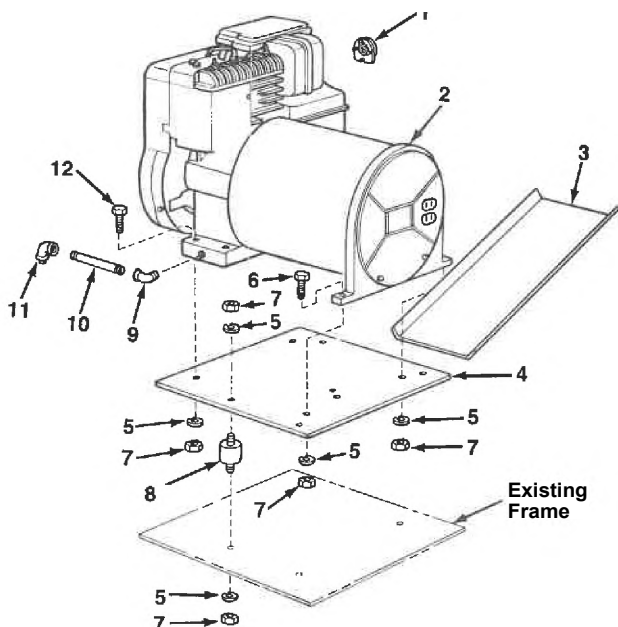
**Power Drive Components and Standard Equipment**

**NOTE: Order parts by Catalog Number only. DO NOT order by Reference Number.**



Ref. Catalog No.	No.	Description
1	59205 A-1	Glove (Left)
2	59295 A-2	Glove (Right)
3	59360 A-3	Tool Box
4	90105 A-134	Pin
5	60910 A-300	Screw (6)
6	61330 A-350	Spring (3)
7	98735	Shaft
8	59570 A-1341	Pin
9	59575 A-1511	Handle (2)
10	59580 A-1515	Pin
11	59585 A-1521	Ball (2)
12	44590 E-1503	Set of 5 Screws
13	60045 A-2280	Screw (6)
14	60120 A-2303	Nose Cone
15	60950 A-3023	Bearing Plate
16	60620 A-2642	Drive Chain
17	60245 A-2428	Screw (3)
18	60390 A-2489	Bearing (Rear)
19	60585 A-2629	Pinion Gear
20	60590 A-2630	Shaft
21	60595 A-2631	Shaft Bearing
22	60600 A-2632	Shaft Bearing
23	60605 A-2633	Knob
24	60700 A-2704	Adapter
25	60850 A-2925	Clutch Spring (3)
26	60870 A-2978	Key
27	60920 A-3017	Thrust Bearing
28	60935 A-3020	Nut
29	61040 A-3142	Jaws & Springs (3) <sup>1 1/4</sup>
	62830 A-3152-X	Jaws & Springs (3) <sup>7/8</sup>
	62825 A-3153-X	Jaws & Springs (3) <sup>5/8</sup>
30	89810 A-6150	Grease Fitting
31	90175 A-6267	Collar (Rear)
32	90180 A-6269	Push Pin (3)
33	90185 A-6270	Collar (Front)
34	90190 A-6272	Pressure Ring
35	61895 B-1821	Driver Assembly
36	62010 B-2640	Large Sprocket
37	62015 B-2641	Small Sprocket
38	62020 B-2698	Clutch Casting
39	62350 C-1958	Hub

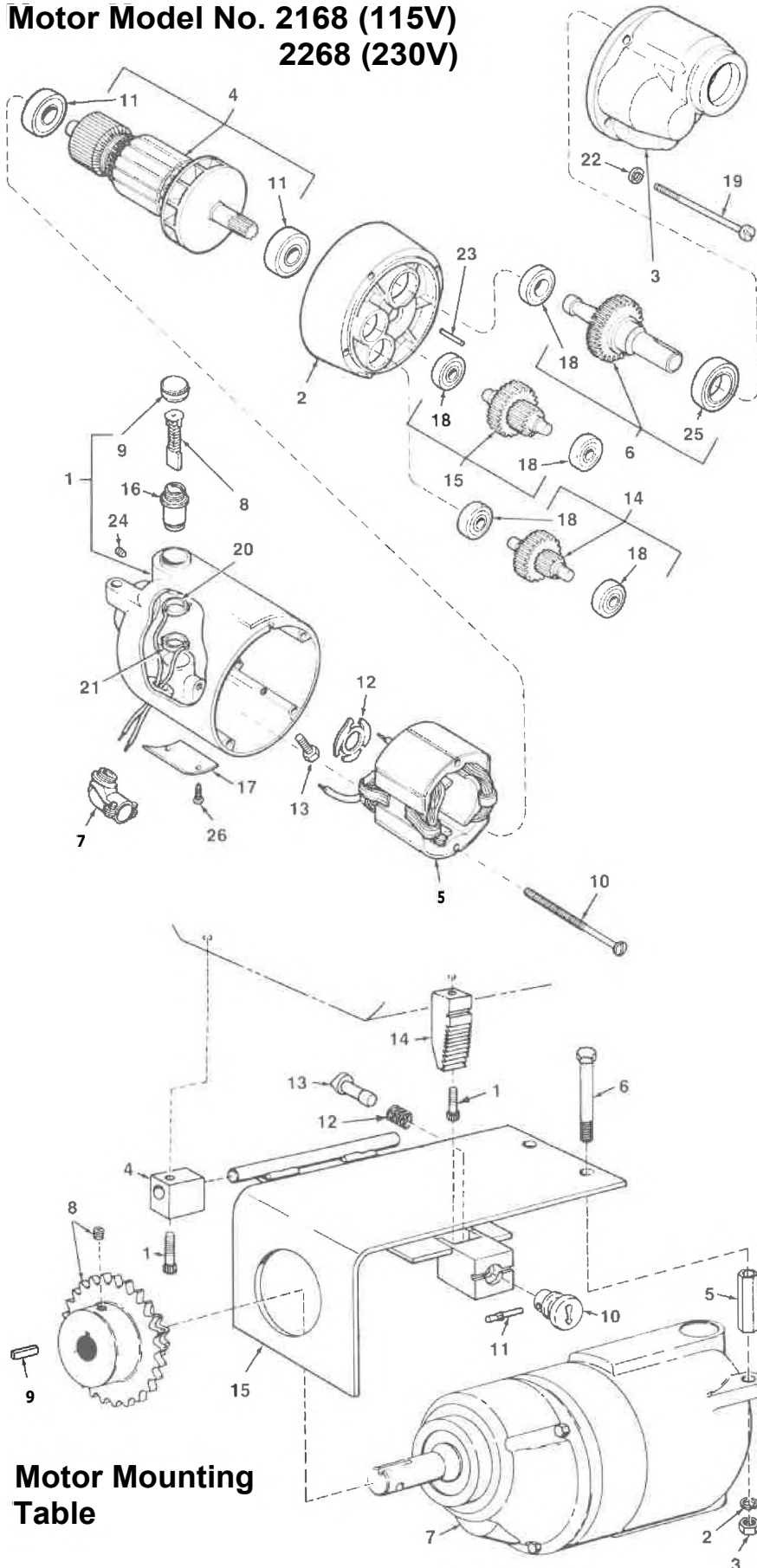
**Engine/Generator and Mounting Plate (115V, 60Hz) (230V, 50Hz)**



Ref. Catalog No.	No.	Description
1	90195 A-6284	Spark Arrestor
2	90245 A-6640	Engine/Generator (115V)
	90210 A-6313	Engine/Generator (230V)
3	90220 B-6424	Drip Shield
4	90240 B-6428	Mounting Plate
5	60080 A-2289	Lock Washer (12)
6	60515 A-2531	Screw (2)
7	60230 A-2395	Nut (10)
8	90215 A-6419	Vibration Mount (4)
9	90225 A-6425	90 Degree Elbow
10	91060 A-6918	Nipple
11	90230 A-6426	90 Degree Elbow
12	89870 A-6396	Screw (2)

**Motor Model No. 2168 (115V)  
2268 (230V)**

**NOTE: Order parts by Catalog Number only.  
DO NOT order by Reference Number.**



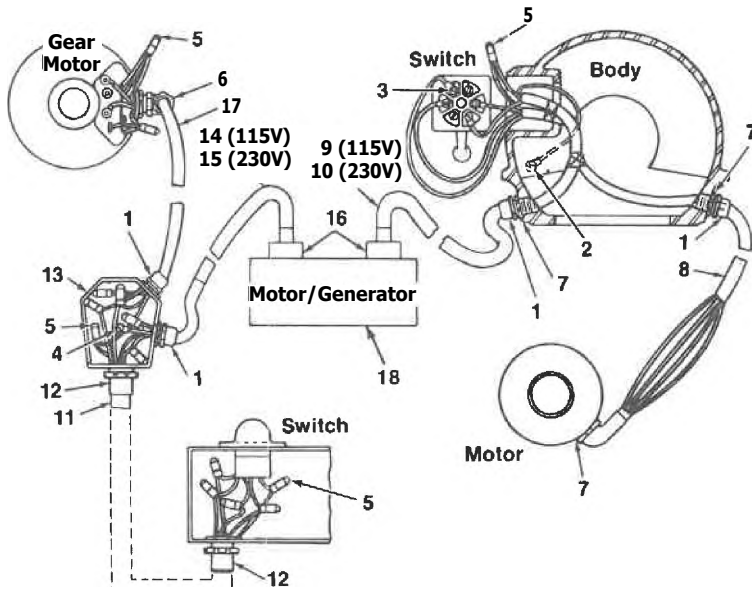
Ref. Catalog No.	No.	Description
	60645 A-2655-X	Ridge Motor No. 2168 (115V)
	87900 A-3433	Ridge Motor No. 2268 (230V)
1	43160 B-822-1X	Housing Assembly (Incl. Ref. No. 9, 16, 24)
2	43165 B-823-1	Fan Housing
3	42875 B-1102	Gear Housing
4	44010 D-696-X	Armature & Fan (115 Volt)
	44030 D-739-X	Armature & Fan (230 Volt)
5	44015 0-733	Field (115 Volt)
	44035 D-740	Field (230 Volt)
6	83630 E-922-X	Drive Gear Assembly
7	46900 E-923	Connector
8	44540 E-1491	Brush Assembly (2)
9	44545 E-1493-1	Brush Cap (2)
10	44555 E-1495	Screw (2)
11	44565 E-1497	Bearing (Armature) (2)
12	44580 E-1501	Loading Spring
13	83500 E-1749	Field Screw
14	44985 E-2600-X	1st Intermediate Gear Assembly
15	45005 E-2601-X	2nd Intermediate Gear Assembly
16	45025 E-2606	Brush Holder (2)
17	45030 E-2609-1	Name Plate
18	45060 E-2630	Bearing (5)
19	45075 E-2748	Mounting Screw (4)
20	45130 E-2861	White Lead (Upper)
21	45135 E-2862	Fled Lead (Lower)
22	45150 E-2887	Lock Washer (4)
23	45165 E-2893	Dowel Pin
24	39770 E-3145	Set Screw (2)
25	45315 E-3215	Bearing
26	85920 E-10006	Pop Rivet (2)

Ref. Catalog No.	No.	Description
1	59920 A-2193	Screw (3)
2	60085 A-2290	Lock Washer (2)
3	60395 A-2492	Hex Nut (2)
4	60630 A-2645	Pivot Block (2)
5	60635 A-2653	Motor Mount Spacer (2)
6	60640 A-2654	Screw (2)
7	60645 A-2655-X	Ridge Motor (Model No. 2168)
8	60650 A-2656	Sprocket
9	60870 A-2978	Key
10	60880 A-2987	Ratchet Knob
11	60885 A-2988	Ratchet Pin
12	60890 A-2989	Ratchet Spring
13	60895 A-2990	Ratchet Pawl
14	61025 A-3092	Motor Table Positioner
15	62410 C-3091	Motor Table

**Motor Mounting Table**

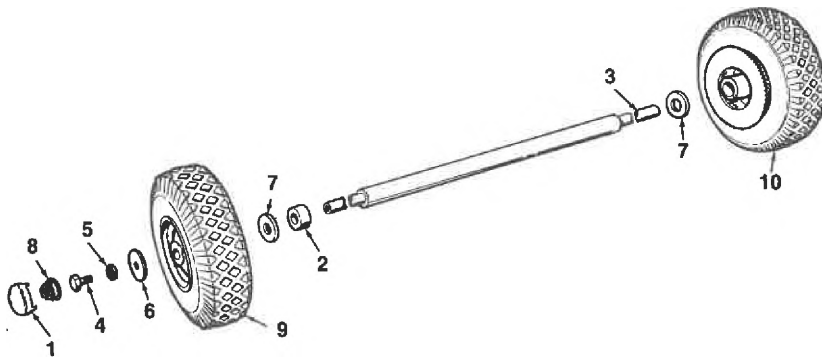
**Electrical Wiring Harnesses, Junction Box and Attaching Hardware (115V, 60 Hz & 230V, 50 Hz)**

**NOTE: Order parts by Catalog Number only. DO NOT order by Reference Number.**



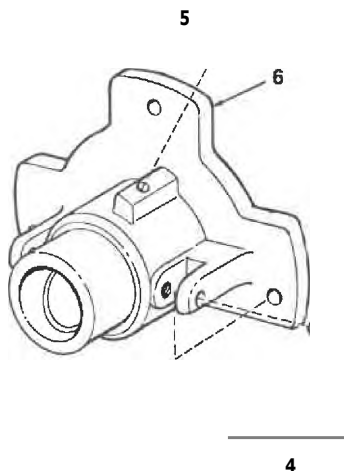
Ref. Catalog			
No.	No.	Description	
1	61530	A-482	Strain Relief (4)
2	90115	A-2162	Screw
3	59955	A-2234	Terminal (7)
4	59990	A-2256	Screw
5	60185	A-2348	Wire Nut (13)
6	60260	A-2439	Elbow
7	90130	A-2786	Locknut (8)
8	60755	A-2797	Tubing
9	60760	A-2798	Cord (115V)
10	90125	A-2799	Cord (230V)
11	60765	A-2800	Conduit
12	60770	A-2801	Connector (2)
13	60775	A-2802	Junction Box
14	60780	A-2803	Cord (115V)
15	90130	A-2804	Cord (230V)
16	90145	A-3698	Plug (2)
17	62145	B-3052	Wiring Harness
18	90245	A-6640	Generator (115V)
	90210	A-6313	Generator (230V)

**Front Wheels**

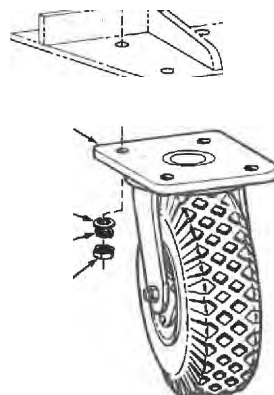


Ref. Catalog			
No.	No.	Description	
1	59700	A-1881	Hub Cap (2)
2	59740	A-2004	Spacer (Right)
3	59745	A-2005	Axle
4	60010	A-2265	Screw (2)
5	60080	A-2289	Lock Washer (2)
6	60835	A-2882	Washer (2)
7	60995	A-3039	Washer (2)
8	61000	A-3041	Spring (2)
9	62000	B-2618	Wheel
10	69235	B-2619	Wheel and Sprocket
11	61055		Inner Tube
12	61060		Tire

**Main Bearing Plate Assembly A-3023**



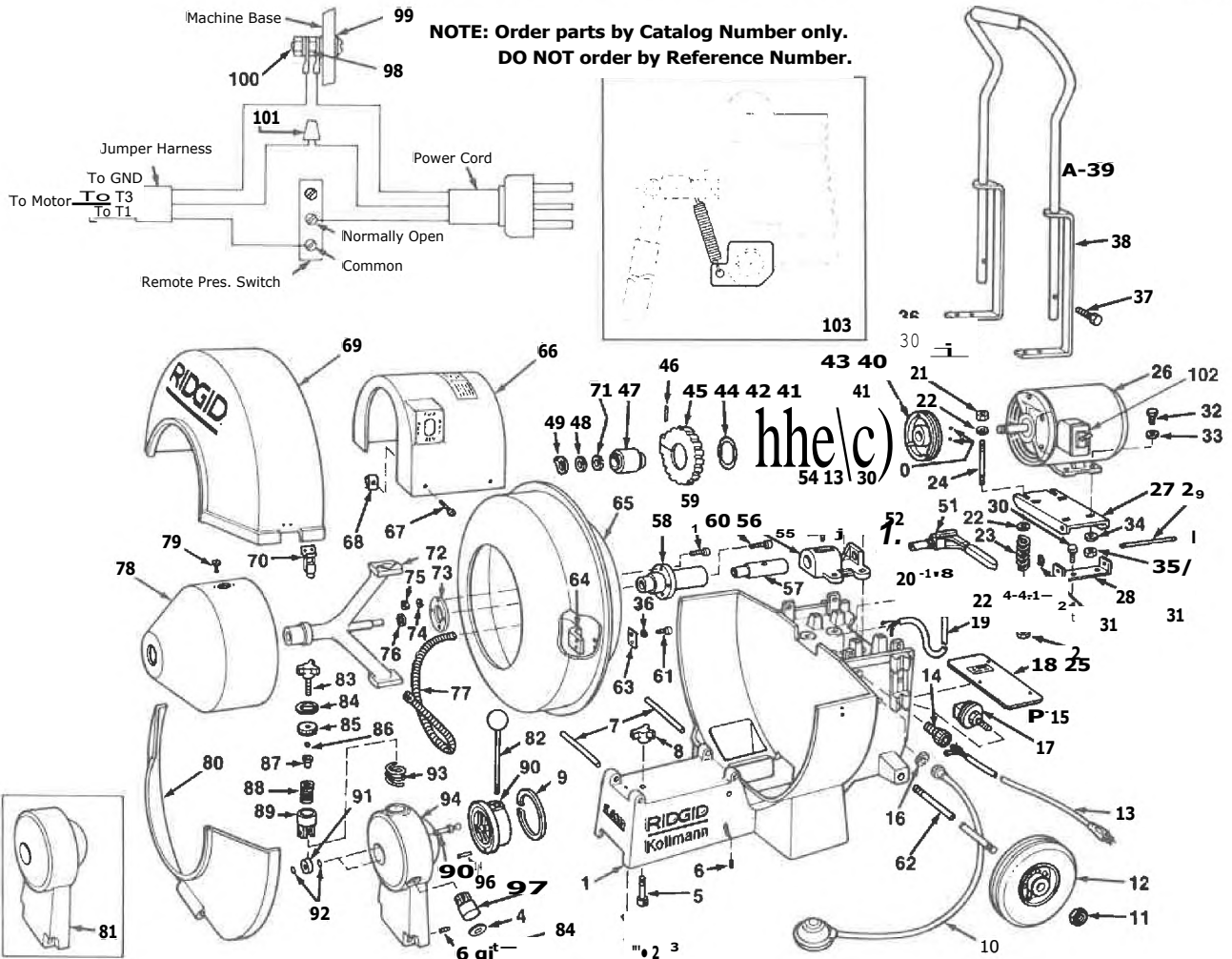
**Swivel Caster and Rear Wheel**



Ref. Catalog			
No.	No.	Description	
	60950	A-3023	Plate Assembly Complete
1	59495	A-110	Pin (2)
2	61015	A-308	Roller (2)
3	44590	E-1503	Set of 5 Screws
4	60925	A-3018	Roller Assembly (2)
5	89815	A-6151	Grease Fitting
6	76690	13-1672	Main Bearing Plate

Ref. Catalog			
No.	No.	Description	
1	60085	A-2290	Lock Washer (4)
2	60380	A-2481	Screw (4)
3	60395	A-2492	Hex Nut (4)
4	60560	A-2617	Swivel Caster and Wheel with Swivel Lock
5	89785	A-4327	Washer (4)

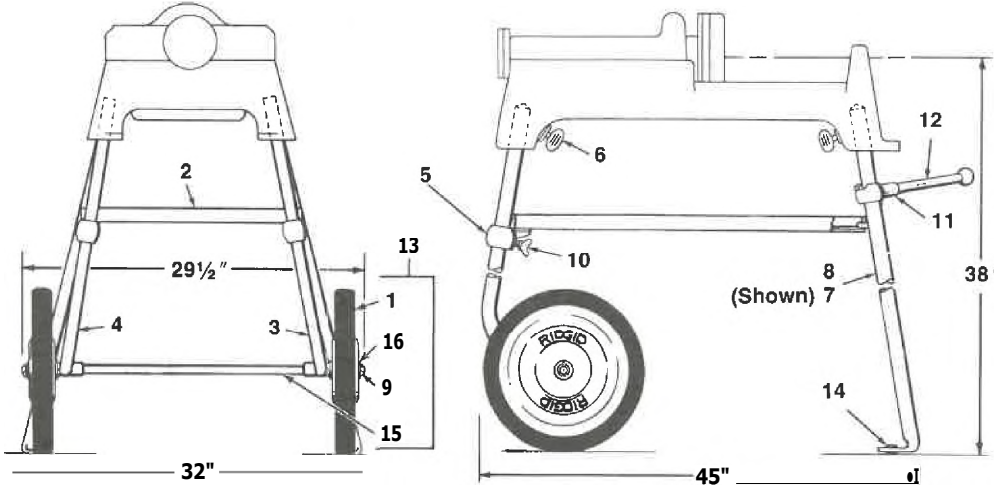




Ref. No.	Catalog No.	Description	Ref. No.	Catalog No.	Description	Ref. No.	Catalog No.	Description
1	93335	Base Assy.-5800	37	60805	Screw	69	93405	Drum Shroud Assy.-5800
	93550	Base Assy.-6800	38	93590	Skid Bar		93540	Drum Shroud Assy.-6800
2	93395	Screw	39	93635	Handle Assy.	70	93615	Draw Pull Catch w/Screws
3	93510	Spring	40	93685	Clutch Disc Plate	71	94250	Wave Washer
4	93440	Spacer-5800 Auto Feed Only	41	93750	Clutch Disc Set	72	93315	Cable Guide
5	93505	Swing Bolt Assy.	42	93745	Clutch WaSher	73	93565	Flange
6	89825	Set Screw	43	93670	Clutch Plate	74	60075	Lock Washer
7	93385	Hinge Pin	44	93665	Wave Spring	75	80370	Nut
8	93575	Knob	45	93690	Clutch Adjusting Nut	76	93515	Thrust Washer
9	93610	Retaining Ring-Auto Feed	46	93680	Screw	77	92920	W Pigtail Assy.-5800
10	37967	Foot Switch Assy.	47	93620	Drive Roller Assy.		92925	VE Pigtail Assy.-6800
11	93355	Locking Nut	48	93675	Washer	78	93320	Guide Housing
12	93325	Wheel	49	61555	Retaining Ring	79	93560	Screw
13	93700	Power Cord	50	39510	Ball Bearing Set	80	93520	Hinged Base-5800
14	96265	Strain Relief	51	93330	Toggle Clamp		93555	Hinged Base-6800
15	46470	Screw	52	61245	Stud	81	93425	Housing Assy.-Manual Feed
16	46620	Nut	53	93400	Lack Washer	82	93630	Clutch Handle Assy.-Auto Feed
17	41972	Remote Pressure Switch	54	93495	Nut	83	93580	Feed Knob-Auto Feed
18	93480	Switch Plate Assy.	55	84680	Screw	84	93500	Retaining Ring-Auto Feed
19	93570	Juniper Harness	56	93340	Clamp Shaft Bracket	85	93600	Knurled Nut-Auto Feed
20	93695	Grommet	57	93365	Drum Shaft	86	42560	Ball-Auto Feed
21	60395	Locking Nut	58	93645	Hub Assy. w/Spacer-5800	87	93475	Ball Holder-Auto Feed
22	59970	Washer-(6)		93650	Hub Assy. w/Spacer-6800	88	93375	Spring-Auto Feed
23	93490	Spring-(2)	59	84425	Screw	89	93450	Roller Holder Movable-Auto Feed
24	93380	Stud-(2)	60	60910	Screw	90	93430	Feed Actuator Assy.-Auto Feed
25	94160	Locking Nut-(2)	61	85725	Screw-5800	91	44077	Ball Bearing-Auto Feed
26	93545	Motor-115V, 60 Hz		93735	Screw-6800	92	93460	Spacer-Auto Feed
27	93345	Motor Table	62	93360	Axle	93	93605	Spring-Auto Feed
28	93625	Motor Table Bracket	63	93640	Back-up Plate-5800	94	93420	Housing-Auto Feed
29	93390	Table Pivot Pin	64	93370	Cable Clamp-5800	95	93455	Roller Shaft-Auto Feed
30	59785	Screw	65	93535	Cable Clamp-6800	96	60855	Spring Pin-Auto c eed
31	78780	Retaining Ring		93310	Drum Assy.-5800	97	93445	Roller Holder Stationary-Auto Feed
32	61130	Screw		93525	Drum Assy.-6800	98	44695	Hex Nut
33	60060	Washer	66	93410	Motor Guard Assy.-5800	99	61310	Lock Washer
34	60080	Lockwasher		93530	Motor Guard Assy.-6600	100	93585	Screw
35	60230	Nut	67	45925	Screw	101	44635	Wire Nut
36	60085	Lock Washer	68	93415	Speed Nut	102	95845	Switch
						103	97370	Spring Clamp Assy.

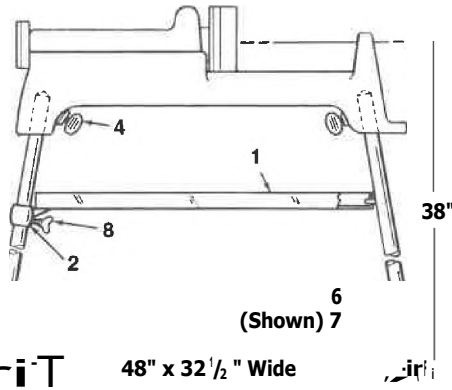
**No. 4-R Wheel Stand**

**NOTE: Order parts by Catalog Number only. DO NOT order by Reference Number.**



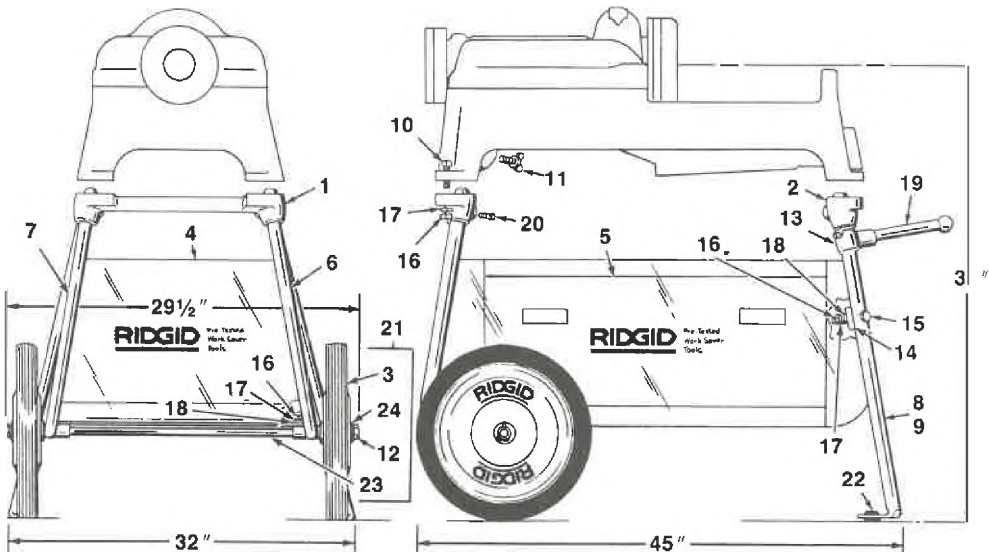
Ref. No.	Catalog No.	Description
1	27442	B-2047 Wheel (2)
2	43385	C-363 Tool Tray
3	43780	D-385 Left Rear Leg
4	43785	D-386 Right Rear Leg
5	45770	E-443 Tray Support (2)
6	46845	E-908 Wing Screw (4)
7	46990	E-954 Left Front Leg
8	46995	E-956 Right Front Leg
9	47030	E-975 Cotter Pin (2)
10	47035	E-976 Wing Screw (2)
11	47045	E-996 Bracket (2)
12	39550	E-1348 Handle (2)
13	46390	E-6030-X Wheel Assembly
14	40940	F-532 Grommet (2)
15	47175	F-773-1 Axle
16	47180	F-774 Washer (2)

**No. 1-L Four Leg Stand without Tray**  
**No. 2-T Leg Stand with Tray**



Ref. No.	Catalog No.	Description
1	43385	C-363 Tool Tray
2	45770	E-443 Tray Support (2)
3	40940	F-532 Grommet (4)
4	46845	E-908 Wing Screw (4)
5	46895	E-921 Rear Leg (2)
6	47020	E-972 Right Front Leg
7	47025	E-973 Left Front Leg
8	47035	E-976 Wing Screw (2)


**No. 8-R Wheel Stand with Enclosed Cabinet**

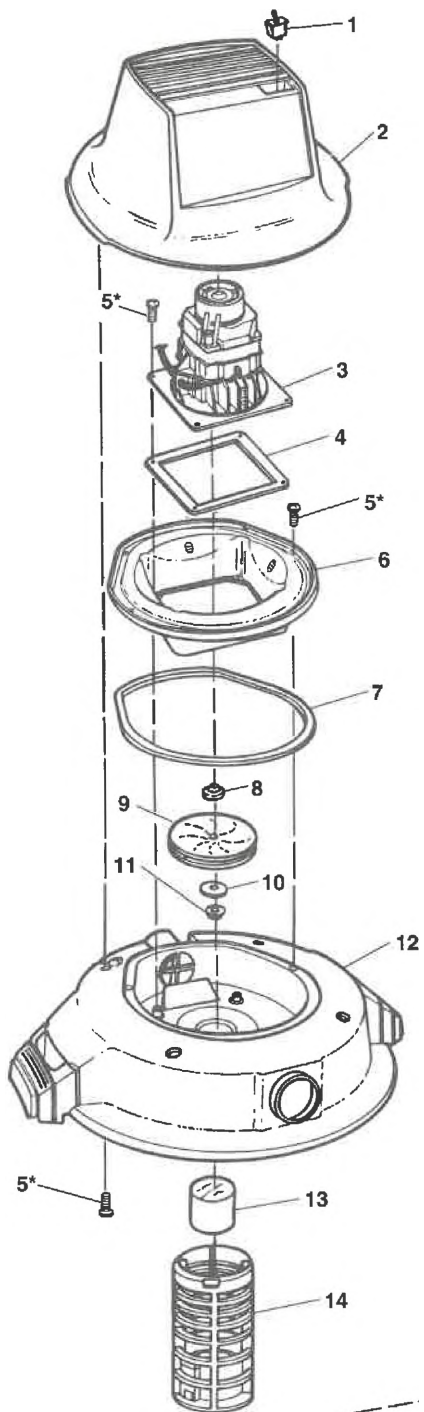


Ref. No.	Catalog No.	Description
1	42920	B-1508 Rear Bracket
2	42925	B-1509 Front Bracket
3	27442	B-2047 Wheel (2)
4	43415	C-397 Cabinet
5	43860	D-440 Door
6	43630	D-1068 Left Rear Leg
7	43635	D-1069 Right Rear Leg
8	43640	D-1070 Right Front Leg
9	43645	D-1071 Left Front Leg
10	46670	E-867 Bolt (4)
11	46845	E-908 Wing Screw (4)
12	47030	E-975 Cotter Pin (2)
13	47045	E-996 Handle (2)
14	44195	E-1040 Corner Bracket (2)
15	44215	E-1067 Bolt (2)
16	44225	E-1094 Nut (8)
17	40930	E-1095 Lock Washer (8)
18	44230	E-1096 Flat Washer (4)
19	39550	E-1348 Handle (2)
20	40055	E-1713 Set Screw (4)
21	46390	E-6030-X Wheel Assembly
22	40940	F-532 Grommet (2)
23	47175	F-773-1 Axle
24	47180	F-774 Washer (2)

**WARNING**

**SERVICING OF DOUBLE-INSULATED WET/DRY VAC**

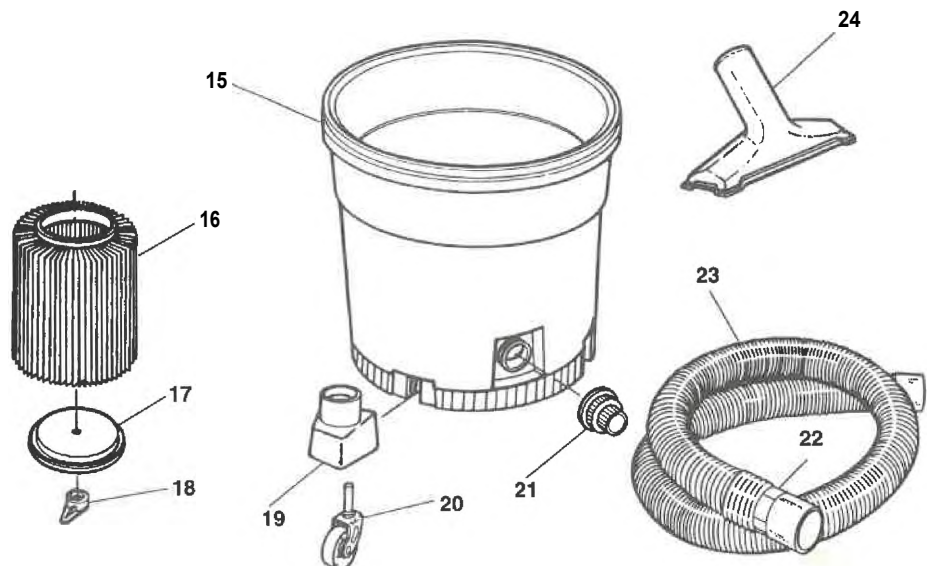
In a double-insulated Wet/Dry Vac, two systems of insulation are provided instead of grounding. No grounding means is provided on a double-insulated appliance, nor should a means for grounding be added. Servicing a double-insulated Wet/Dry Vac requires extreme care and knowledge of the system, and should be done only by qualified service personnel. Replacement parts for a double-insulated Wet/Dry Vac must be identical to the parts they replace. Your double-insulated Wet/Dry Vac is marked with the words "DOUBLE INSULATED" and the symbol  (square within a square) may also be marked on the appliances.



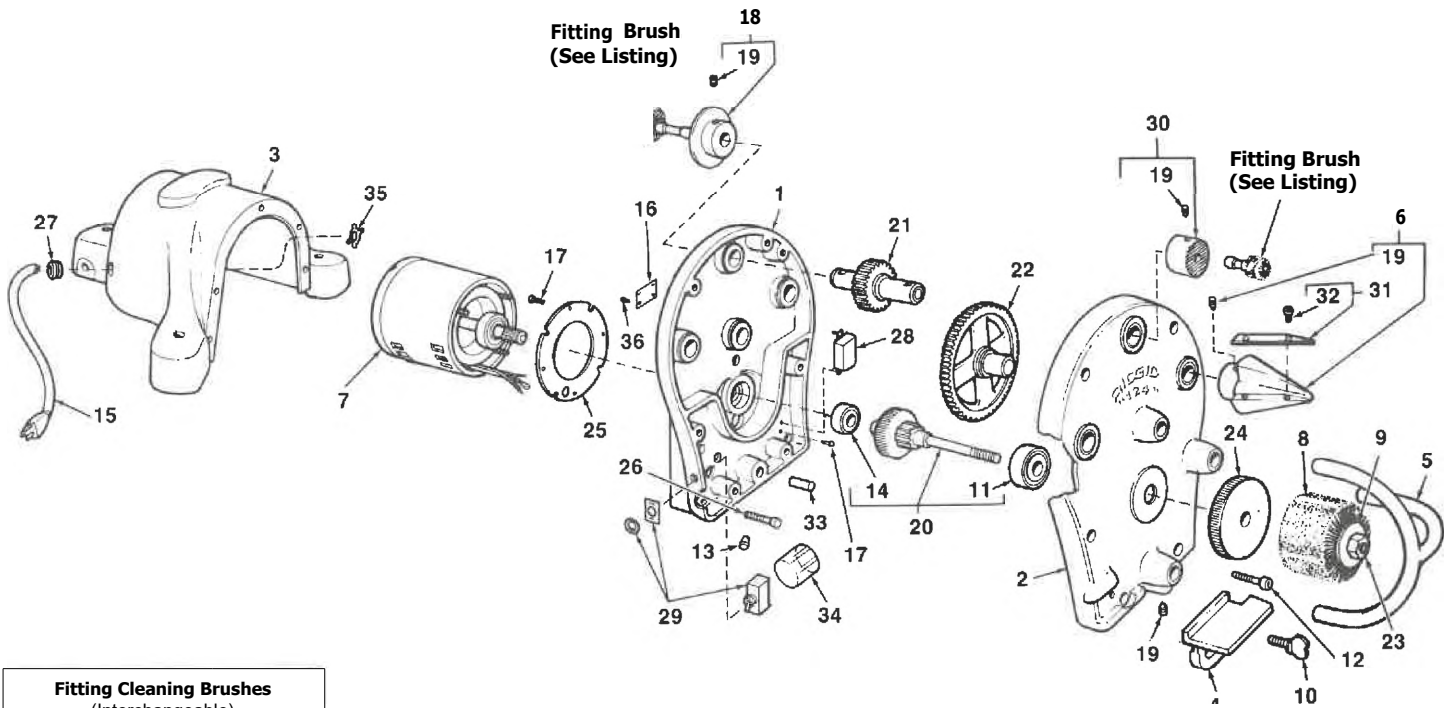
**Ref. Catalog  
No. No. Description**

- 1 47832 Toggle Switch
- 2 47837 Motor Cover
- 3 47842 Motor-Incl. Ref. No. 8, 9, 10 & 11
- 4 47847 Motor Gasket
- 5 Screw, Pan Hd #10 x 3/4
- 6 47852 Collector
- 7 47857 Lid Gasket
- 8 47862 Spacer
- 9 47867 Blower Wheel
- 10 47872 Washer
- 11 47297 Flange Nut, 1/4-20
- 12 47877 Lid
- 13 47882 Float
- 14 47887 Filter Cage
- 15 47892 Dust Drum
- 16 47897 Filter
- 17 47902 Filter Plate
- 18 47907 Filter Nut
- 19 47912 Caster Foot
- 20 47917 Caster
- 21 47922 Drain Cap
- 22 47927 Hose Swivel
- 23 47932 Hose (Inc. Ref. #22)
- 24 47937 Utility Nozzle
- 47942 Wet Nozzle
- 47947 Blower Nozzle
- 47952 Set of 2 Extension Wands

\*Standard Hardware Item - May Be Purchased Locally.



**NOTE: Order parts by Catalog Number only. DO NOT order by Reference Number.**

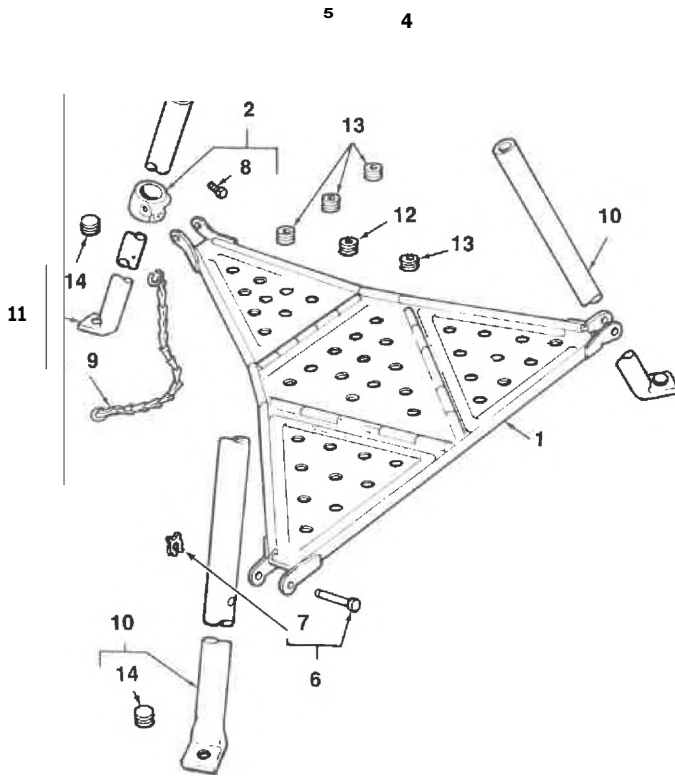


Fitting Cleaning Brushes (Interchangeable)		
Catalog No.	Fitting Brush Part No.	Fitting Size
42250	E-5720	1/2"
42255	E-5721	1/4"
42260	E-5722	1"
42265	E-5723	1 1/4"
42270	E-5724	1 1/2"
42275	E-5725	2"
42280	E-5726	2 1/2"
42285	E-5727	3"
42290	E-5728	4"

Ref. No.	Catalog No.	Description	Ref. No.	Catalog No.	Description
1	42850	A-46-X Rear Cover	19	46080	E-4688 Set Screw (7)
2	42855	A-47-X Front Cover	20	46085	E-4690-X 1st Gear & Shaft Assembly
3	42860	A-48 Body	21	46090	E-4693-X Gear & Shaft Assembly (3)
4	43205	C-1000 Rest Plate	22	46095	E-4694-X 2nd Gear & Shaft Assembly
5	43210	C-1032 Guard	23	46100	E-4696 Nut (L.H.)
6	43655	D-1308-X Reamer Assembly	24	46105	E-4697 Deburring Cutter
7	44170	D-1388-X Motor Assembly	25	46135	E-4822 Baffle Plate
8	42295	D-1415 External Brush	26	46140	E-4823 Screw (5)
9	46455	E-622 Retaining Washer	27	46145	E-4933 Grommet
10	47035	E-976 Wing Screw	28	46155	E-4935-X Starting Relay
11	44565	E-1497 Ball Bearing	29	46160	E-4936 Switch
12	44590	E-1503 Screw (6)	30	46170	E-4946-X Facing Cutter (2)
13	44635	E-1517 Wire Nut	31	46175	E-4957-X Reamer Blade
14	45060	E-2630 Ball Bearing	32	46180	E-4960 Cap Screw (2)
15	75560	E-2868 Power Cord (230V)	33	46245	E-5209 Pin (2)
	46150	E-4934 Power Cord (115V)	34	46330	E-5679 Insulator
16		E-3314 Name Plate	35	46335	E-5680 Cord Retainer
17	45525	E-3845 Screw (5)	36	85920	E-10006 Pop Rivet (4)
18	46075	E-4687-X Facing Cutter (3)			

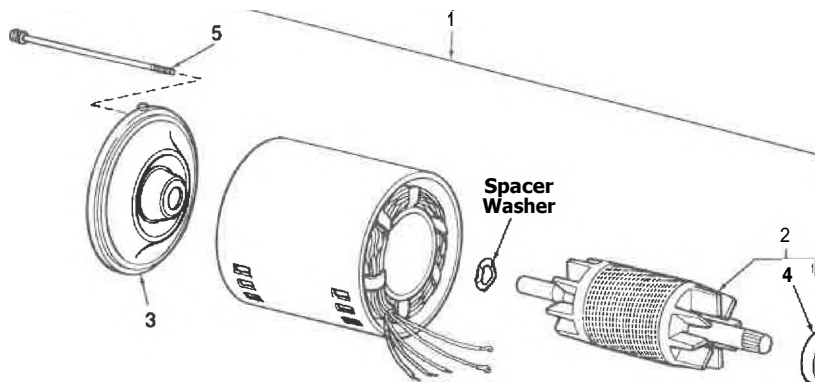
**Legs and Tray Assembly No. B-1983-X**

**NOTE: Order parts by Catalog Number only.  
DO NOT order by Reference Number.**



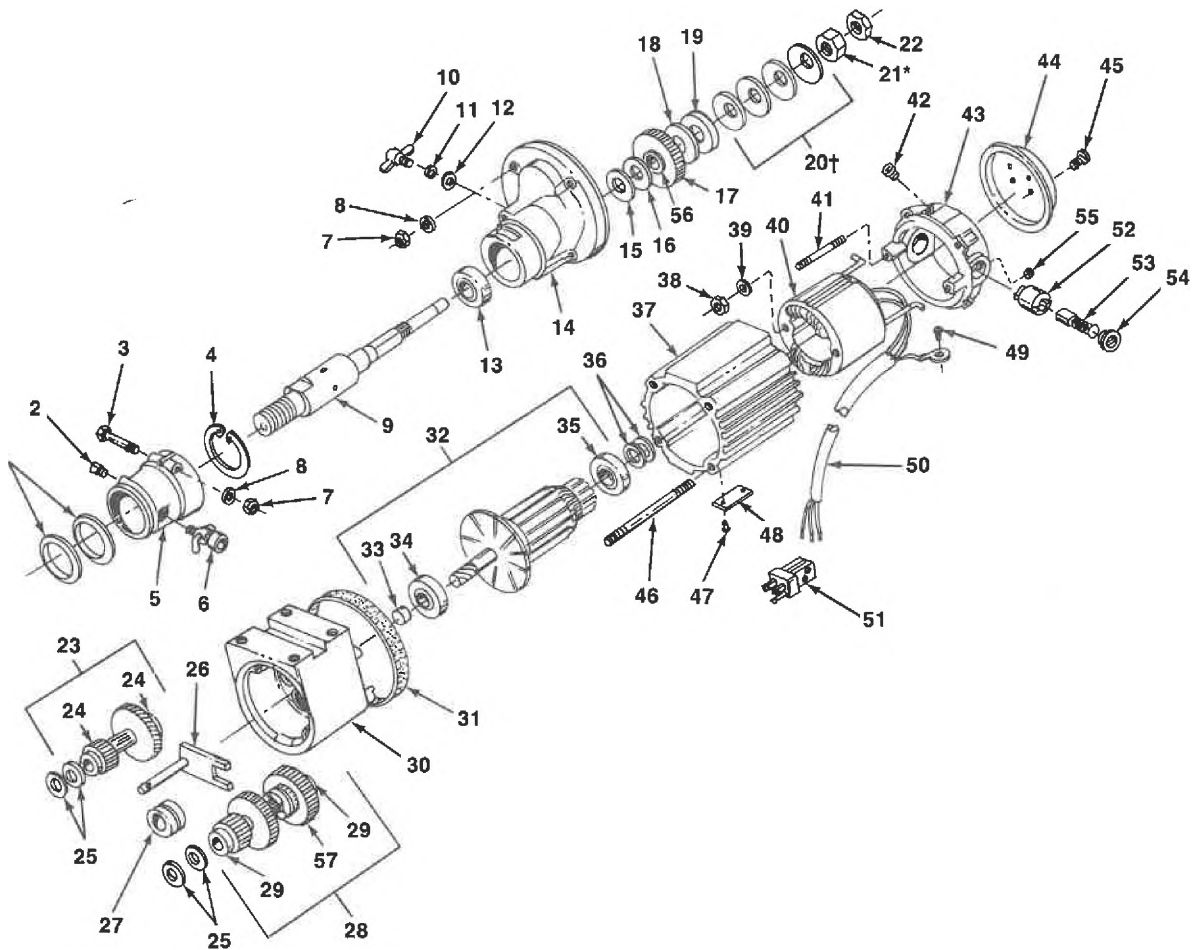
Ref. No.	Catalog No.	Description
	42990	B-1983-X Assembly Complete
1	41240	C-448 Tool Tray
2	43905	D-488-X Tray Support
3	46675	E-868 Bolt (3)
4	44225	E-1094 Nut (3)
5	40930	E-1095 Lock Washer (3)
6	41265	E-1375-X Hinge Pin (3)
7	41270	E-1377 "X" Washer (3)
8	41245	E-1380 Set Screw
9	40945	E-1444-X Link Chain Assembly
10	45325	E-3236-X Front Leg (2)
11	45330	E-3237-X Rear Leg
12	46255	E-5214 Grommet
13	46260	E-5215 Grommet (4)
14	40940	F-532 Grommet (3)

**Motor No. D-1388-X**



Ref. No.	Catalog No.	Description
1	44170	D-1388-X Motor Assembly
2	43665	D-1504-X Rotor (Incl. E-1497 & Spacing Washers)
3	43670	D-1505-X End Bell (Incl. Bearing & Spacer Washers)
4	44565	E-1497 Ball Bearing
5	46325	E-5607-X Bolt with Washer (4)

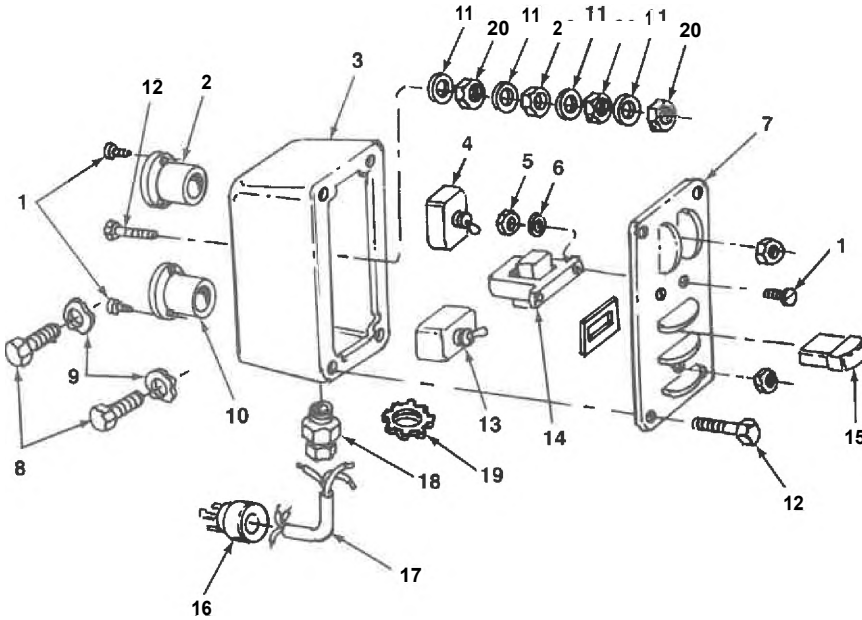
**Motor**



Ref. No.	Catalog No.	Description	Ref. No.	Catalog No.	Description	Ref. No.	Catalog No.	Description
	98125	Motor Complete, 115V	t20	99385	Conical Spring Washer [4]	40	99310	Field, 115V w/Line Cord
	16382	Motor Complete, 230V	*21	99390	Stop Nut (Torque to 55-60 ft./lbs.)	17407	17407	Field, 230V w/Line Cord
1	99215	Set of 2 Seals	22	99350	Lock Nut	41	99405	End Bell Stud (2)
2		1/4" Pipe Plug	23	99260	Gear Shaft Assembly	42	99305	Strain Relief
3	59915	Screw 'A' - 28 x	24	45060	Ball Bearing (2)	43	99200	Commutator End Bell (Includes Refs. 41, 52, 54)
4	99345	Snap Ring	25	99275	Conical Spring Washer [4]	44	99410	Commutator End Cover
5	99210	Waterjacket	26	99225	Shift Arm Assembly	45	99415	End Cover Screw (4)
6	99395	Water Petcock w/Hose Fitting	27	99285	Needle Bearing	46	99400	Field Housing Stud (4)
7	60410	Hex Nut 1/4 - 28 (5)	28	99230	Gear Shaft Assembly	47	46870	Drive Screw [5]
8	34270	Internal Tooth Lockwasher IN' [5]	29	45060	Ball Bearing (2)	48	99175	Name Plate
9	99340	Output Shaft	30	99250	Gear Housing	49	34715	Screw #10 - 32 x 'A" [5]
10	99220	Shift Knob	31	99300	Fan Guard	50	99315	Line Cord Only
11	99265	Conical Spring Washer	32	99235	Armature Assembly (115V)	51	99320	Plug (115V)
12	99280	Washer		17402	Armature Assembly (230V)		17412	Plug (230V)
13	45315	Bearing	33	99245	Slinger	52	99205	Brush Holder (2)
14	99335	End Plate	34	44565	Ball Bearing	53	99330	Set of Brushes [2]
15	99355	Clutch Plate	35	99240	Ball Bearing	54	99325	Set of Brush Caps [2]
16	99360	Clutch Plate, Bronze	36	99270	Conical Spring Washer [2]	55	99295	Screw #10 - 32 x 3/4" (4)
17	99370	Gear	37	99255	Field Housing	56	99365	Bushing
18	99375	Clutch Plate, Bronze	38	79495	Hex Nut #10 - 32 (2)	57	44632	Large Gear
19	99380	Clutch Plate	39	99290	Lock Washer #10 (2)			

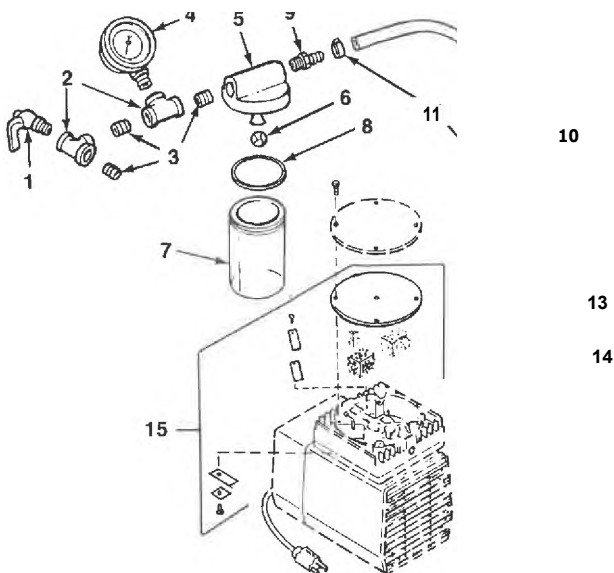
(3) = Total Quantity Required.  
 [2] = Quantity supplied per package when specified catalog number is ordered.  
 }Service Note: Ref. 20. Install with concave side toward gear.

**Control Panel**



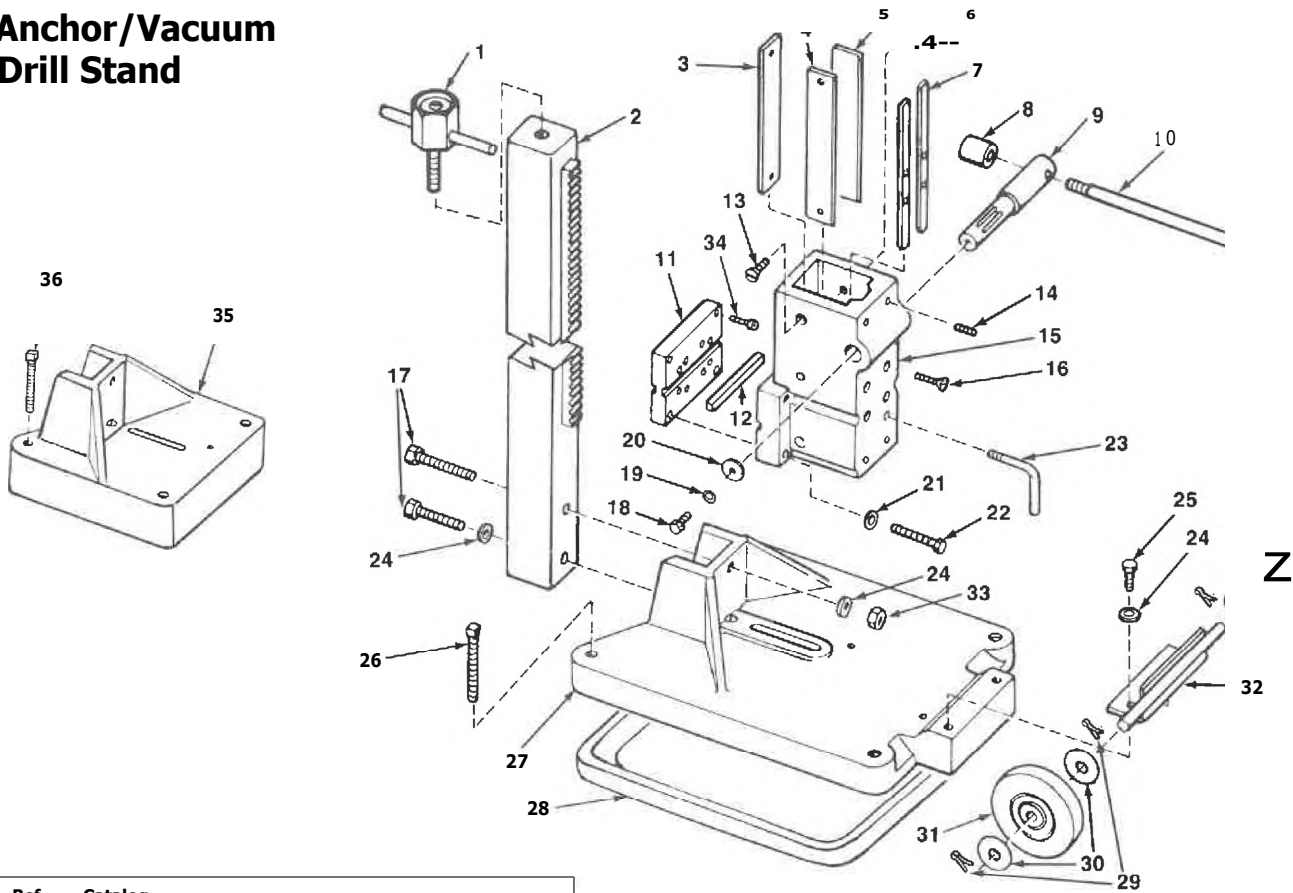
Ref. No.	Catalog No.	Description
1	99430	Screw #6-32 x 1/2 (6) (115V)
	17417	Screw #10-24 x 1 (230V) (6)
2	99435	Receptacle, 20 Amp, (115V)
	17422	Receptacle, 20 Amp, (230V)
3	99440	Control Box
4	99445	Toggle Switch, 16A, (115V)
	17427	Toggle Switch, 8A, (230V)
5	99450	Hex Nut #6-32 (2)
6	99455	Lockwasher #6 (2) (115V)
	45365	Flatwasher #10 (2) (230V)
7	99460	Cover Plate (115V)
	17432	Cover Plate (230V)
8	99465	Hex Screw 1/4 - 20 x 1 1/4 (2)
9	44740	Lockwasher 1/4 (2)
10	99470	Receptacle, 15 Amp, (115V)
	17437	Receptacle, 15 Amp, (230V)
11	46985	Lockwasher #10 [5]
12	92455	Screw #10-24 x 3/4 (5)
13	99480	Toggle Switch, 20A, (115V)
	17442	Toggle Switch (230V)
14	99485	Transformer
15	99490	Ammeter (115V)
	17447	Ammeter (230V)
16	99495	Plug, 30 Amp
17	99500	Line Cord (115V)
	17452	Line Cord (230V)
18	99505	Cord Connector
19	99510	Lock Nut
20	44695	Hex Nut #10-24 [5]
21	17382	Suppressor (230V) Australia
	99170	Suppressor (230V) South Africa

**RB-214 Vacuum Pump**



Ref. No.	Catalog No.	Description
1	98110	Pump Complete
2	98865	Air Petcock
3		1/4" Pipe Tee (2)
4	98870	Vacuum Gauge
5	98875	Water Trap Top
6	98890	Float Ball
7	98880	Water Trap Jar
8	98885	Water Jar Gasket
9	98910	1/4" Barb to 1/4" Male
10	98895	Hose, 9" x 1/4"
11		1/2" Hose Clamp (2)
12	98915	1/4" Barb to 1/2" Male
13	98900	Slot Cap
14	98905	Slot Cap Gasket
15	98860	Vacuum Pump Service Kit

**Anchor/Vacuum  
Drill Stand**



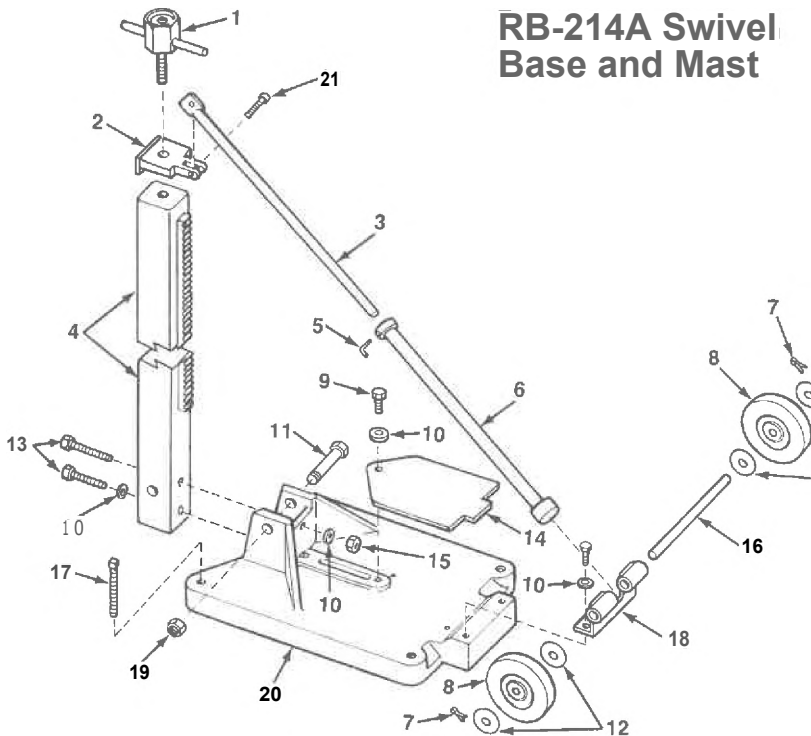
Ref. No.	Catalog No.	Description
1	98805	Ceiling Jack Screw
2	98800	Mast w/Gear Rack
3	98750	Non-Adjustable Shim
4	98835	Non-Adjustable Shim
5	98770	Adjusting Shim
6	33720	Cup Set Scr 1/4 - 20 x % (2) [5]
7	98765	Adjusting Shim (2)
8	98795	Handle Nut (2)
9	98785	Pinion Gear
10	98790	Feed Handle
11	98780	Motor Mount Plate
12	98760	3/8" Sq. x 4" Key
13	98740	Brass FH Scr 1/4 - 20 x % (6)
14	98755	Cup Set Scr 1/4 - 20 x % (4)
15	98810	Carriage
16	98745	Brass FH Screw 1/4 - 20 x 1 (4)
17	80265	Hex Cap Screw 1/2 - 13 x 3 1/2 (2)
18	60005	Hex Cap Screw 1/4 - 20 x 3/4
19	44740	1/4" Lock Washer [5]
20	98830	Flat Washer 1/4 x 1 1/4 O.D.
21	40930	3/8" Lock Washer (4) [5]
22	46670	Hex Cap Screw 5/8 - 16 x 2 (4)
23	98775	Locking Handle
24	84150	1/2" Lock Washer (4)
25	45500	Hex Bolt 1/2 - 13 x 1 1/4 (2)
26	98825	Sq. Head Set Screw 5/8 - 11 x 4 (4) (RB-214)
27	98815	Anchor Vacuum Base (RB-214)
28	98820	Vacuum Seal (RB-214)
29	47030	Cotter Pin 1/2" x 1" [5]
30	41220	Flat Washer 3/4 (4)
31	98845	Wheel (2)
32	98840	Axle Assembly
33	44745	Hex Nut 1/2" x 13 [4]
34	99515	Socket Head Screw 1/4" - 28 x 1" (4)
35	98850	Anchor Base (RB-215)
36	98855	Sq. Head Bolt 1/2" - 13 x 4" (RB-215)

(3) Total Quantity Required.

[2] = Quantity supplied per package when specified catalog number is ordered.



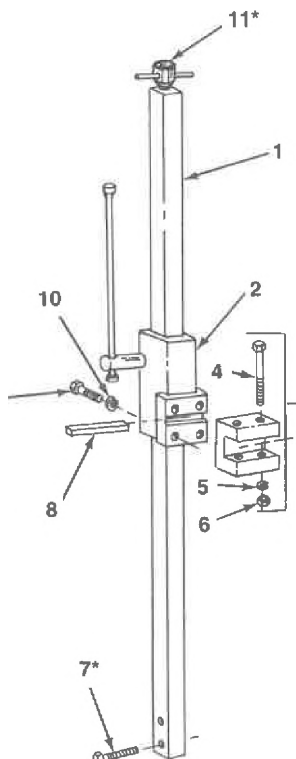
**RB-214A Swivel  
Base and Mast**



Ref. No.	Catalog No.	Description
1	98805	Ceiling Jack Screw
2	29077	Mast Bracket
3	29082	Upper Brace
4	29087	Angle Mast 2 1/2" x 2 1/2"
5	29092	L-Bolt
6	29097	Lower Brace
7	47030	Cotter Pin, 1/4 x 1 [5]
8	98845	Wheel (2)
9	45500	Hex Bolt, 1/2-13 x 1 1/4 (2)
10	84150	Lock Washer, 1/2" (4)
11	29102	Hex Head Bolt, 1/4 x 4 1/2
12	41220	Flat Washer, 3/4" (4)
13	80265	Hex Cap Screw, 1/2-13 x 3 1/2 (2)
14	29107	Vacuum Pump Plate
15	44745	Hex Nut, 1/2 x 13
16	29112	Axle
17	98825	Sq Head Set Screw, %-11 x 4 (4)
18	29117	Axle Bracket
19	29122	Hex Nut, 1-8
20	29127	Anchor Vacuum Base
21	29132	Socket Cap Screw 7/16-18 x 1

( ) = Total Quantity Required.  
[ ] = Total Quantity Supplied per Package.

**RB-90**

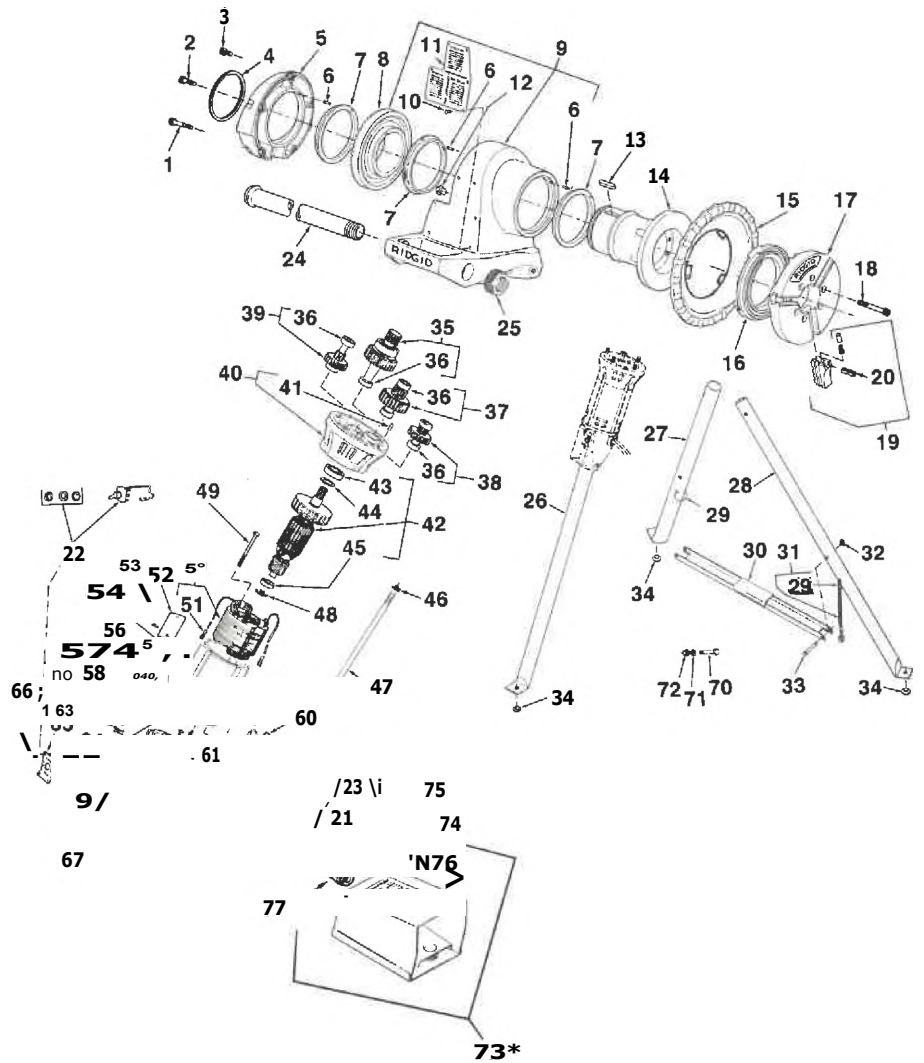


Ref. No.	Catalog No.	Description
1	32437	RB-90 90° Attachment
2	32447	82" Mast
3	32452	90° Adaptor Assembly
4	16762	1/2"-13 x 5" Hex Bolt (2)
5	86445	1/2" Lockwasher (2)
6	44745	1/2"-13 Hex Nut (2) [4]
*7	80265	1/2"-13 x 3 1/2 Hex Cap Screw (2)
8	98760	3/8" Sq x 4" Key
9	46670	3/8"-16 x 2 Hex Cap Screw (4)
10	40930	3/8" Lock Washer (4) [5]
*11	98805	Ceiling Jack Screw

\*Transfer from original Core Drill

**NOTE: Order parts by Catalog Number only.  
DO NOT order by Reference Number.**

Ret. No.	Catalog No.	Description
1	46775	E-897 Screw .4"-20 x VA" (2)
2	83685	E-798 Screw .4"-20 x 1" (2)
3	32205	E-1406 Screw .4"-20 x 5/8" (2)
4	89165	E-3294 Retaining Ring
5	89125	B-361-X Cover Assembly
6	89085	E-5253 Roll Pin (3)
7	44060	D-751 Bearing
8	89145	C-661 Face Gear
9	97530	A-91-X Gear Case
10	85920	E-10006 Pop Rivet (6)
11	89200	E-3329 Warning Plate
12	89195	E-3312 Wear Plug
13	89160	E-3219 Key 1/4" Sq.
14	89140	C-623 Drive Shaft
15	89150	C-1204 Handwheel
16	43540	C-701 Scroll
17	43525	C-698 Chuck Cap
18	45295	E-3175 Screw Vie-18 x 2'4" (6)
19	44090	D-838-X Jaw Set
20	44715	E-1666-X Insert
21	89155	D-1298 Power Cord (115V)
22	44045	D-747 Power Cord (230V)
23	89185	E-3342 Toggle Switch
24	46730	E-889 Strain Relief (2)
25	89470	E-10001 Bar
26	46560	E-685 Stop Nut
27	89315	D-1217 Rear Leg
28	89455	E-3306 Right Leg
29	89460	E-3326 Left Leg
30	90070	E-1467 Open Ring (2)
31	89465	C-1203 Leg Support
32	89480	E-10395 Chain
33	41270	E-1377 "X" Washer
34	41265	E-1375-X Pin
35	40940	F-532 Grommet (3)
36	44900	E-1960-X Pinion & Gear Ass'y.
37	45060	E-2630 Bearing (7)
38	44830	E-1903-X 3rd Pinion Ass'y.
39	44825	E-1902-X 2nd Pinion Ass'y.
40	44820	E-1901-X 1st Pinion Ass'y.
41	89135	C-745-X Housing Assembly
42	45165	E-2893 Pin
43	44055	D-750-X Armature (115V)
44	44075	D-756-X Armature (230V)
45	44565	E-1497 Bearing
46	44430	E-1340 Ring
47	44760	E-1880 Bearing
48	40770	E-1719 Lock Washer 5/8" (4)
49	44785	E-1893 Bolt s/+.1"-18 x 8'15/16" (4)
50	44790	E-1894 Loading Spring
51	44555	E-1495 Screw 10-24 x 3" (2)
52	91095	E-2903 Screw 10-24 x 3.5" (230V) (2)
53	89040	E-10330 Field (115V)
54	89055	D-757 Field (230V)
55	89190	E-3343 Female Terminal (2)
56	89170	E-3340 Name Plate (115V)
57	85920	E-10006 Pop Rivet
58	44765	E-1882 Screw 1/4"-20 x 1/2"
59	44795	E-1895 Brush Holder (2)
60	44815	E-1900-X Brush (2)
61	45660	E-4404 Brush Cap (2)
62	44885	E-1956 Lead (White)
63	42975	B-191-X Field Housing
64	89180	E-3348 Lead (Blue)
65	45420	E-3467 Screw 10-24 x 3/4" (2)
66	44755	E-1877 Insulation (2)
67	41270	E-1377 "X" Washer (2)
68	39770	E-3145 Set Screw 1/4"-20 x 1/4"
69	89175	E-3311 Switch Plate



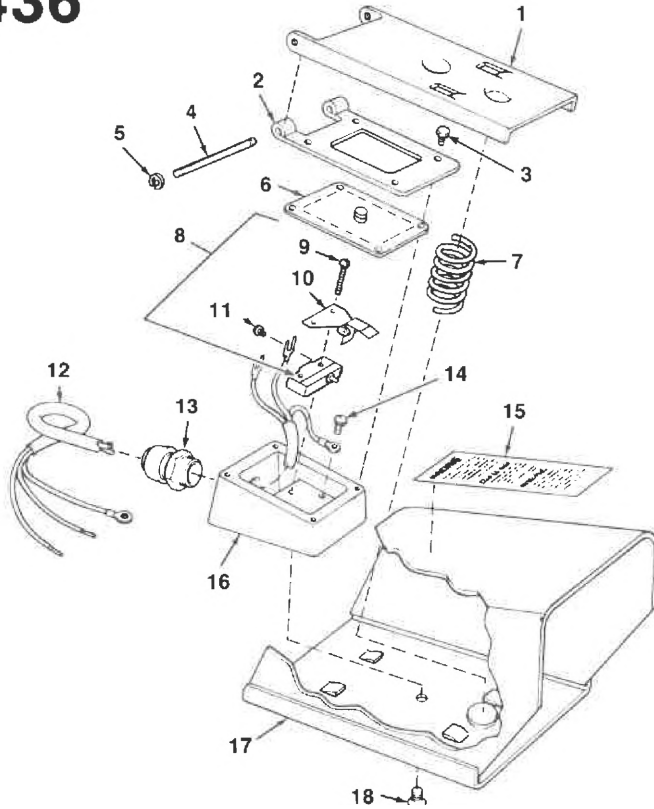
Ref. No.	Catalog No.	Description
66	45525	<b>E-3845</b> Screw 6-32 x (4)
67	16192	C-1447 Switch Housing
68	89475	E-10385 Screw 10-24 x 2'1/2"
69	44695	E-1663 Nut 10-24
70	46675	E-868 Screw 1/4"-16 x (2)
71	40930	E-1095 Lock Washer 1/4" (2)
72	44225	E-1094 Nut/e-16 (2)
73	36647	B-295 Foot Switch
74	89190	E-3343 Female Terminal
75	44635	E-1517 Wire Nut (2)
76	83605	Cord
77	85565	Cord Connector

\*Refer to Foot Switch Model No. for component parts.

**RIDGID** Foot Switch

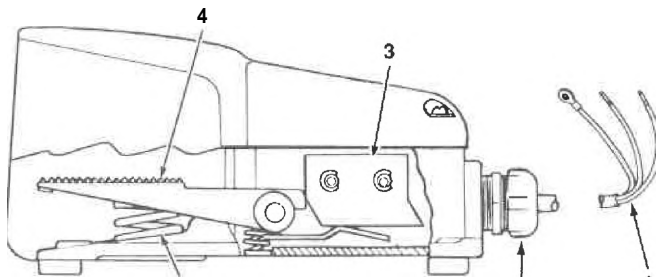
**B-293  
B-436  
E-2497  
301**

**B-293  
B-436**



Ref. No.	Catalog No.	Description
-	83550	B-293 Foot Switch
-	83555	B-436 Foot Switch
1	83565	C-546 Foot Pedal
2	83570	C-569 Plate
3	83625	E-3084 Screw (4)
4	83580	E-3058 Pin
5	78780	E-3562 Ret. Ring (2)
6	83590	E-3050 Diaphragm w/Gask.
7	83615	E-3051 Spring
8	83585	E-2988X Micro Switch
9	83595	E-3060 Screw (2)
10	83575	E-3031 Actuator Assem.
11	46310	Screw #6-32 x 1/16" (2)
12	68880	D-620 Cord (B-293)
	83605	D-1297 Cord (B-436)
13	68885	E-1511 Cord Connector (B-293)
	85565	E-2668 Cord Connector (B-436)
14	45420	E-3467 Screw
15	85940	E-2220 Warning Label (B-293) E-3173 Warning Label (B-436)
16	85935	C-532 Housing
17	83560	6-345 Housing Cover
18	83610	E-3095 Screw

**E-2497  
301**

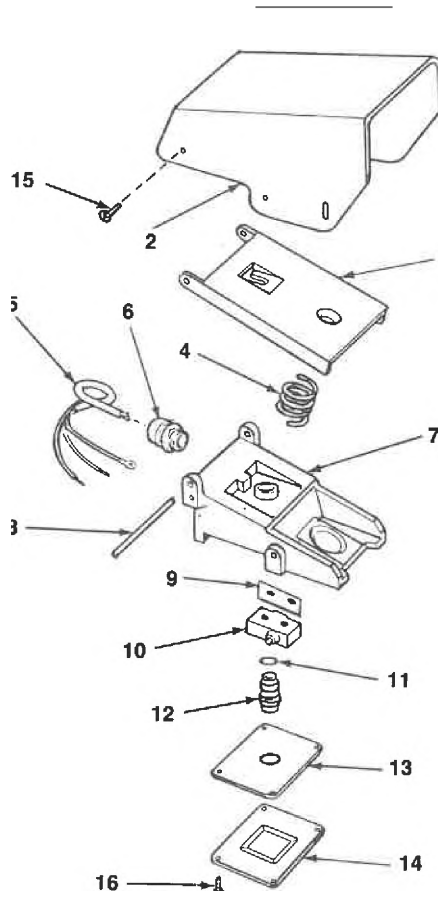


Ref. No.	Catalog No.	Description
-	76095	E-2497 Foot Switch
-	68820	301 Foot Switch
1	68880	D-620 Cord (E-2497)
	83600	D-1221 Cord (301)
2	68885	E-1511 Connector (E-2497)
	85565	E-2668 Connector (301)
3	&limgo	E-2900 Micro Switch
4	83945	E-2901 Treadle
5	83950	E-3349 Spring

# RIDGID Footswitch

petAtt Ozer U y 3ocRA  
3 g6SZ

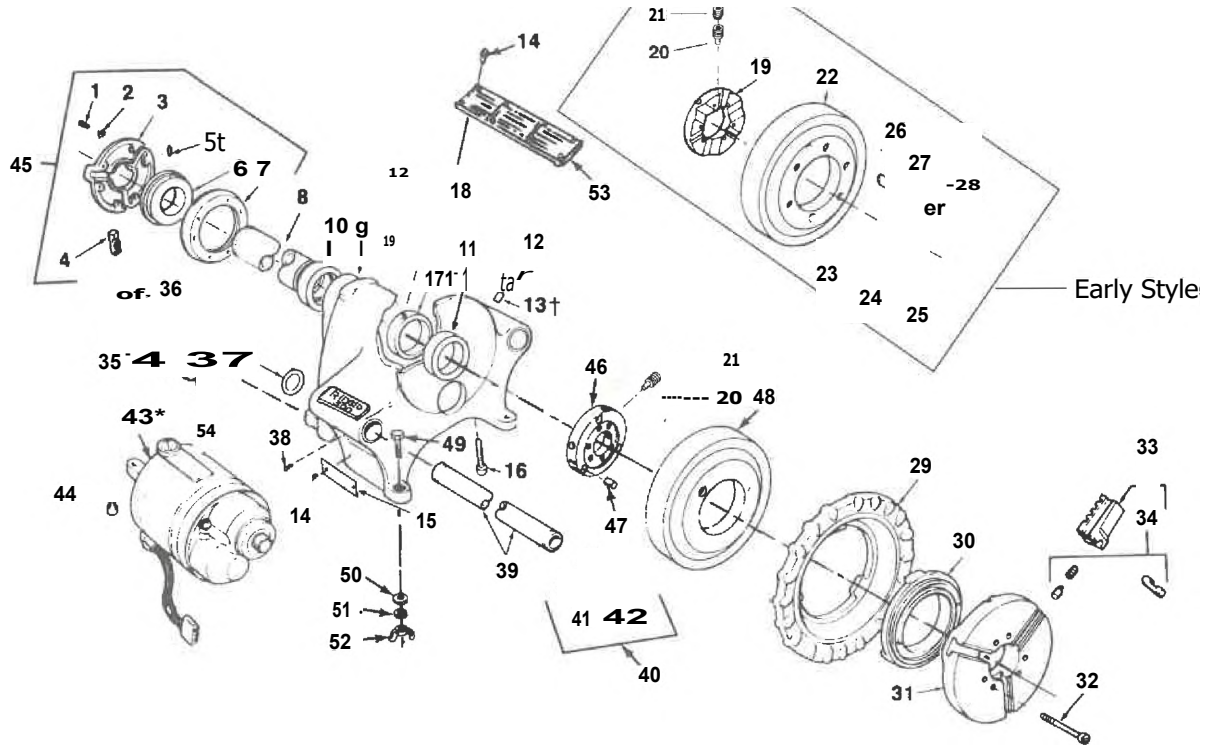
**B-294**  
**B-295**  
**B-296**  
**B-297**  
**B-298**  
**B-299**  
**301**



Ref. No.	Catalog No.	Description	Ref. No.	Catalog No.	Description
	36642	B-294 Footswitch	6	36732	Cord Connector (2 req. on Models B-296, B-297, B-298, B-299)
	36647	B-295 Footswitch	7	36737	Base (B-294, B-295, 301-A)
	36652	B-296 Footswitch		36742	Base (B-296, B-297, B-298, B-299)
	36657	B-297 Footswitch	8	36747	Pivot Pin
	36662	301-A Footswitch	9	36752	Insulator
--	40017	B-298 Footswitch (U.K.)	*10	36762	Micro Switch (2 req. on B-296, B-297, B-298, B-299)
	40022	B-299 Footswitch (Australia)	11	36767	O-Ring
1	36667	Warning Label (B-294)	12	36772	Poppet
	36672	Warning Label (B-295)	13	36777	Seal
	36677	Warning Label (B-296)	14	36782	Bottom Cover
	36682	Warning Label (B-297)	15	36787	Screw #10 Self-Tapping (8)
	36687	Warning Label (301-A)	<b>FOLLOWING PARTS NOT SHOWN</b>		
	45012	Warning Label (B-298)		36792	Line Cord (B-296)
	45017	Warning Label (B-299)		36797	Line Cord (B-297)
2	36692	Cover		45022	Line Cord (B-298)
3	36697	Foot Pedal		93210	Line Cord (B-299)
4	36702	Spring			
5	36707	Cord (B-294)			
	36712	Cord (B-295)			
	36717	Cord (B-296, B-299)			
	36722	Cord (B-297)			
	45027	Cord (B-298)			
	36727	Cord (301-A)			

Co ACZ-

NOTE: Order parts by Catalog Number only.  
DO NOT order by Reference Number.



For information on Cutters, Die Heads and Reamers SEE INDEX

Ref. No.	Catalog No.	Description	Ref. No.	Catalog No.	Description
1	46790	E-900 Screw, 12-24 x 3/4 (6)	28	45245	E-3124 Drive Cap (3)
2	40270	E-1741 Lock Washer (6)	29	89150	C-1204 Hand Wheel
3	43735	D-334 Centering Head	30	43540	C-701 Scroll
	19346	Centering Head (Europe)	31	43525	C-698 Cap
4	* 46500	E-631 Rear Jaw (3)	32	45295	E-3175 Screw V. - 18 x 2 3/4' (6)
5t	45260	E-3127 Step Pin (3)	33	44090	D-838-X Chuck Jaw Set
6	44095	D-841 Scroll	34	44715	E-1666-X Jaw Insert Set
7	43740	D-335 Back Plate		97365	E-10794 Jaw Insert Set F/Coated Pipe
	19356	Back Plate (Europe)	35	45825	E-4439 Strain Relief Plate
8	44100	D-842 Drive Shaft	36	44735	E-1700 Screw 1/4-20 x % (2)
9	42845	A-27-X Body Assembly (Incl. Ref. No. 10, 11, 12, 13, 14, 17, 18, 35, 36, 49, 50, 51, 52, 53)	37	44525	E-1484 Spring Ring (2)
10	45335	E-3240-R Rear Bearing-Bronze	38	45280	E-3144 Screw #8-32 x % (2)
11	45270	E-3129-X Front Bearing-Bronze	39	44425	E-1334-4 Support Bar (Incl. Ref. No. 37)
12	46860	E-912 Grease Fitting	40	44725	E-1697-X Ring Assembly (2) (Incl. Ref. No. 41, 42)
13t	45310	E-3205 Dowel Pin	41	46050	E-4596 Set Screw 1/4- 18 x 1/4" (2)
14	85920	E-10006 Pop Rivet (10)	42	44720	E-1692 Snap Ring (2)
15		E-3203 Name Plate	43*	87740	3177 Motor (115V) Std. 38 RPM
16	46035	E-4548 Screw 3/14 - 18 x 1 3/4"		87780	3277 Motor (230V) Std. 38 RPM
17t	45345	Thrust Ring	44	46745	E-891 Screw % - 16 x 1 1/4" (2)
18	33785	E-751 Set Screw - 24 x 1/4" (2)	45	44165	D-970 Rear Centering Assy.
19	44085	D-782 Pressure Ring	46	30027	Drive Ring, Type II
20	45265	E-3128 Screw V. - 24 x 1/2" (3)	47	30022	Drive Pin, Type II (3)
21	45300	E-3177 Screw 3/4E - 24 x 1/4" (3)	48	30017	Ring Gear, Type II
22	43530	C-699 Ring Gear	49	46670	Hex Bolt % - 16 x 2 (4)
23	45255	E-3126 Pressure Plunger (3)	50	44230	Washer 3/8 (4)
24	45285	E-3158 Pressure Spring (3)	51	40930	Lock Washer 3/4 (4)
25	45225	E-3053 Pressure Plug (3)	52	45385	Wing Nut - 16 (4)
26	45250	E-3125 Drive Wedge (3)	53	88690	Warning Plate
27	44310	E-1162 Drive Spring (3)	54	46735	Cord Grommet
				41615	Grease for ring gear, 4 oz. tube

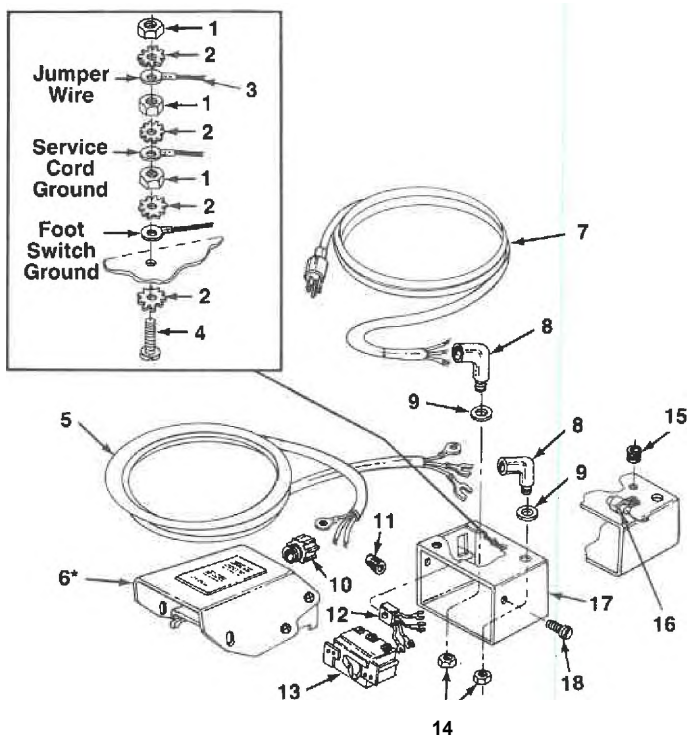
\*Refer to Motor Model No. for Component Parts

**Service Notes:**

tRef. 5 Step Pins are easily removed by pushing from inside to outside

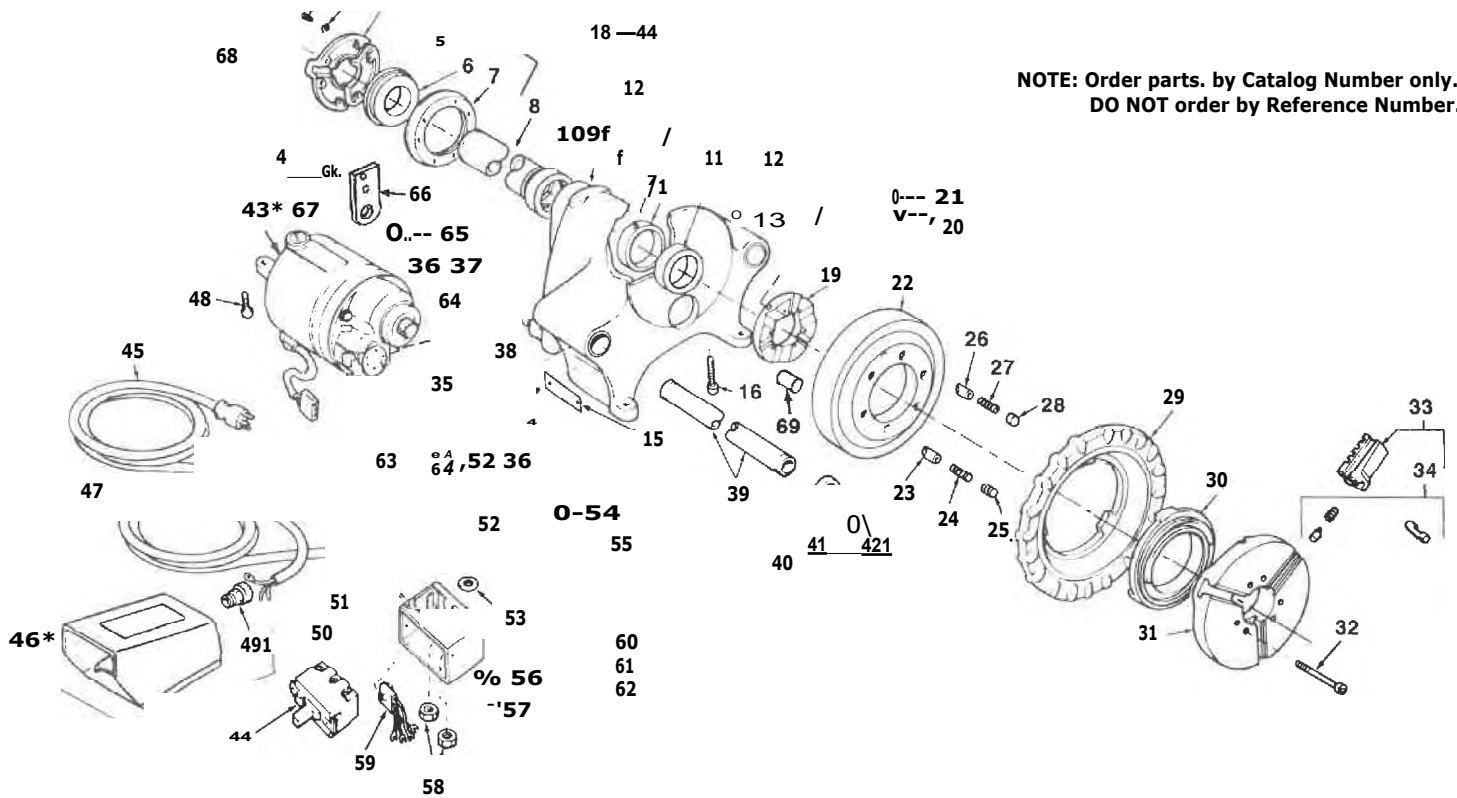
tRef. 13 Before removing front bearing sleeve (Ref. No. 11), dowel pin and grease fitting must be pushed out from inside.

tRef. 17 Position thrust ring so that offset screw holes are closer to chuck.



Ref. No.	Catalog No.	Description
1	44695 E-1663	Hex Nut #10-24 (3)
2	46985 E-945	Ext Tooth Washer #10 (4)
3	85925 E-3359	Jumper Wire
4	92455 E-10412	Screw #10-24 x 3/4
5	36707	Foot Switch Cord
6*	36642	B-294 Foot Switch (Incls. Ref. 5 & 10)
7	46740 E-890-2	Power Cord w/Plug (115V)
	46410 E-607	Power Cord w/Plug (230V)
8	46900 E-923	Connector 90° (2)
9	68870 E-1482	Washer
10	36732	Cord Connector
11	44635 E-1517	Wire Nut (2)
12	86675 E-3190-X	Wire Harness
13	44505 E-1417	Switch
14	68865 E-1475	Bushing (2)
15	45805 E-4435	Snap Bushing
16	46320 E-5526-X	Suppressor Kit (230V Only)
17	87860 C-549	Switch Box
18	44180 E-1017	Screw 8-32 x 3/16 (2)

\*See Footswitch Model No. for Component Parts



**NOTE: Order parts. by Catalog Number only.  
DO NOT order by Reference Number.**

Ref. No.	Catalog No.	Description	Ref. No.	Catalog No.	Description
1	46790	Screw 12-24 x 3/4 (6)	37	44525	Spring Ring (2)
2	40270	Lock Washer (6)	38	45280	Mtg. Screw (2)
3	43735	Centering Head	39	97085	Support Bar (2)
	19346	Centering Head (Europe)	40	44725	Ring Assembly (2)
4	46500	Rear Jaw Set	41	46050	Set Screw 1/4- 18 x 1/4" (2)
5	45260	Step Pin (3)	42	44720	Snap Ring (2)
6	44095	Scroll	43*	96810	Motor (115V) Std. 38 RPM (3181) (300A only)
7	43740	Back Plate		96975	Motor (230V) Std. 38 RPM (3281) (300A only)
	19356	Back Plate (Europe)	44	44505	Switch
8	44100	Drive Shaft	45	46740	Cord (115V)
9t	96805	Body Assembly (Incl. Ref. No. 10, 11, 12, 13, 14, 17, 18, 51)		46410	Cord (230V)
10	45335	Rear Bearing	46*	36642	Foot Switch Assy. (Incl. Ref. No. 47 & 49)
11	45270	Front Bearing	47	68880	Switch Cord
12	46860	Grease Fitting	48	46745	Screw - 16 x 1 1/4" (2)
13	45310	Dowel Pin	49	68885	Connector
14	85920	Pop Rivet (2)	50	44635	Wire Nut (2)
15	96940	Name Plate Machine	51	45420	Ground Screw
16	46035	Screw 5/8 - 18 x 1 3/4"	52	46900	Connector (2)
17	45345	Thrust Ring	53	68870	Washer (2)
18	33785	Set Screw 'um - 24 x V4' (2)	54	45805	Snap Bushing
19	44085	Pressure Ring	55	46320	Suppressor Kit (230V)
	30b27	Drive Ring Type I	56	87860	Switch Box
20	45265	Screw 5/16- 24 x 1/4" (3)		19286	Switch Box (Europe)
21	45300	Screw - 24 x 1/4" (3)	57	45405	Screw (2)
22	43530	Ring Gear	58	68865	Bushing Nut
	30017	Ring Gear Type II	59	86675	Outlet Jumper Set
23	45255	Pressure Plunger (3)	60	46795	Screw
24	45285	Pressure Spring (3)	61	46985	Lock Washer (3)
25	45225	Pressure Plug (3)	62	44695	Nut (2)
26	45250	Drive Wedge (3)	63	96855	Tubing (300A, 304 only)
27	44310	Drive Spring (3)		26286	Tubing (Europe)
28	45245	Drive Cap (3)	64	96860	Bulkhead Union (2) (300A, 304 only)
29	89150	Hand Wheel		26136	Bulkhead Union (2) (Europe)
30	43540	Scroll		19306	Ring/Nut f/Bulkhead Union (Europe)
31	43525	Cap	65	46735	Grommet
32	45295	Screw 3/16- 18 x 2 3/4" (6)	66	45825	Strain Relief Plate
33	44090	Chuck Jaw Set	67	44735	Screws (2)
34	44715	Jaw Insert Set	68	44165	Rear Centering Assy.
35	96850	Tubing (300A, 304 only)	69	30022	Drive Pin (3) Type II
	26296	Tubing (Europe)			
36	96865	Manual Release Buttons (2) (300A, 304 only)			

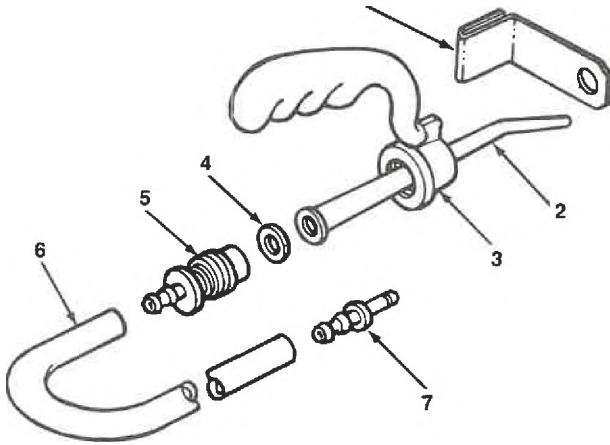
\*Refer to Motor Model No./Foot Switch Model No. for Component Parts

# RIDGID Oil Spout and Oil Pan

**309**  
**330**  
**32**

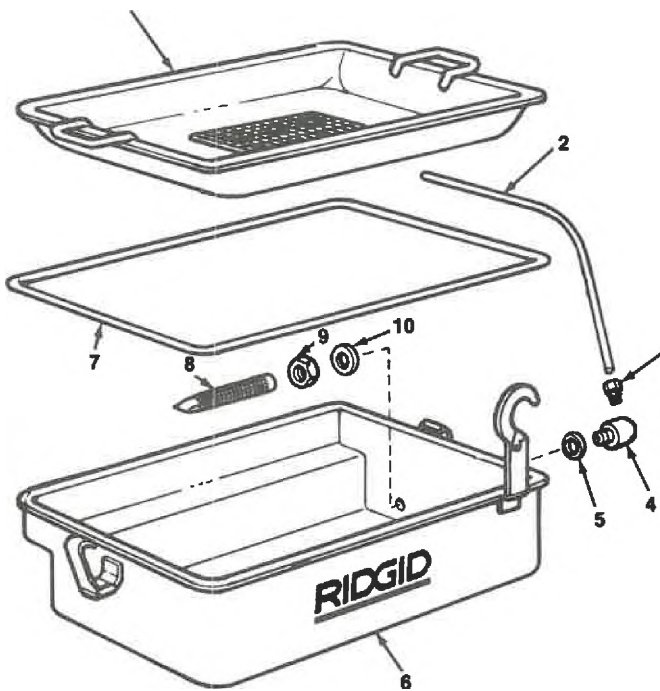
**NOTE: Order parts by Catalog Number only. DO NOT order by Reference Number.**

## 309 Oil Spout (300A Power Drive)

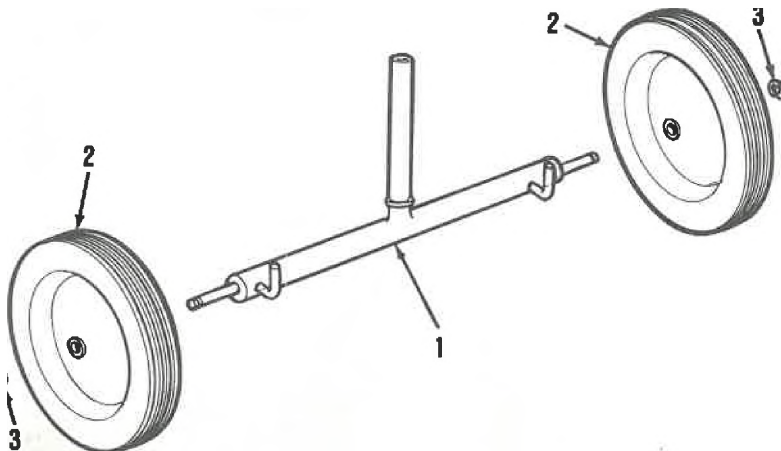
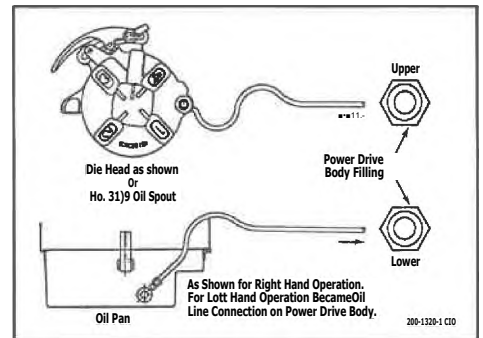


Ref. No.	Catalog No.	Description
	97090	309 Oil Spout
1	97110	Spout Bracket Assembly
2	97095	Oil Spout
3	41690	Handle
4	41715	Spout Washer
5	97100	Handle Adapter
6	97195	Hose
7	97105	Hose Adapter

## 330 Oil Pan (300A Power Drive)



Ref. No.	Catalog No.	Description
	97245	330 Oil Pan and Chip Tray
1	96925	Chip Pan Assembly
2	96935	Tubing
	19946	Tubing (Europe)
3	96930	Union
4	41705	Coupling
5	41780	Washer
6	96920	Oil Pan Assembly
7	96905	Gasket
8	41765	Strainer
9	40640	Hex Jam Nut
10	41790	Washer
	26846	Bolt (Europe) Not Shown
	19936	Valve (Europe) Not Shown



## No. 32 Transporter

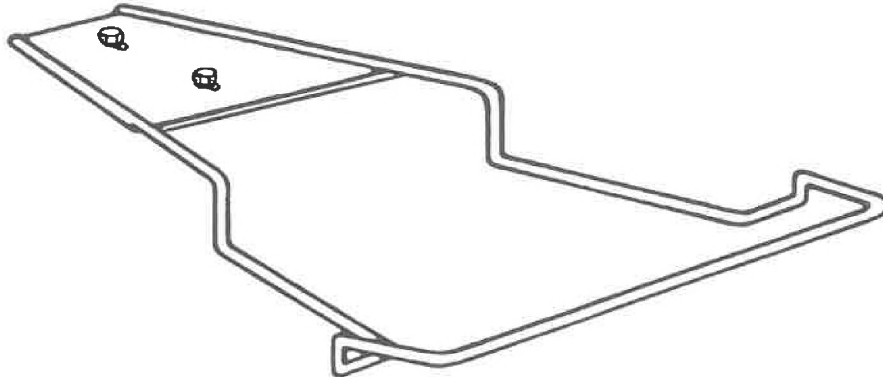
Ref. No.	Catalog No.	Description
1	42590	Axle & Support Tube Assembly
2	42585	Wheel (2)
3	42580	Retaining Ring (2)

**330 A99 Cera,,)**

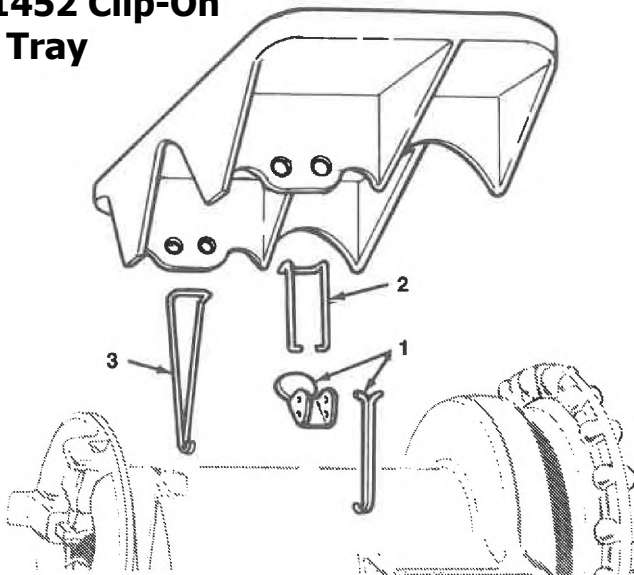
WA:44/04'0 x u. A'333 g  
610'egoid'co a z 2  
l'otto eD41, 7 itt 13 c Ef67)



**No. 331 Oil Pan Support Tray 97250 (300A Power Drive)**



**No. 1452 Clip-On  
Tool Tray**

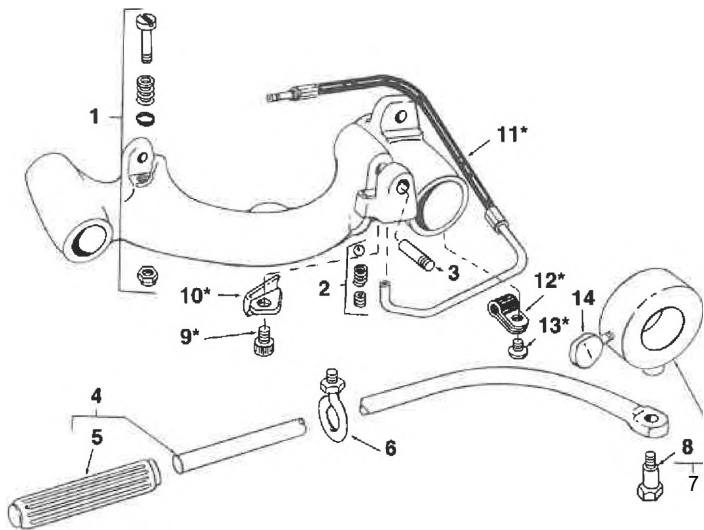


Ref. No.	Catalog No.	Description
1	45535	Hook & Lever Assembly
2	45540	Top Hook
3	45545	Side Hook

**311  
311A  
341  
360**

**NOTE: Order parts by Catalog Number only.  
DO NOT order by Reference Number.**

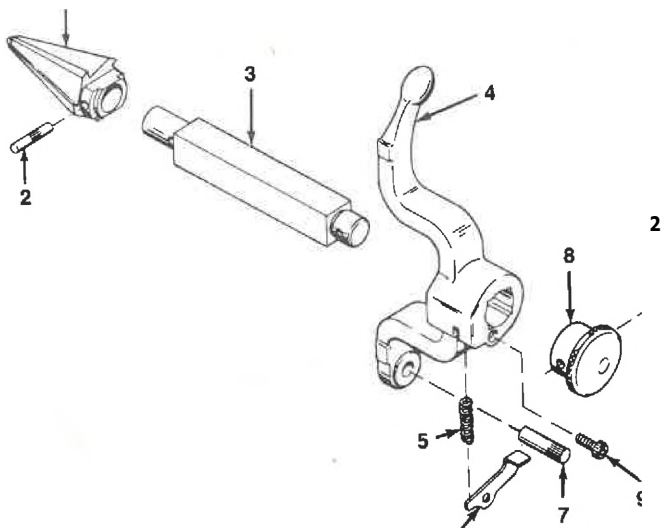
**311 Carriage w/Lever (200, 300 Power Drive)  
311 A Carriage w/Lever (300A, 304 Retrofit)**



Ref. No.	Catalog No.	Description
	68815	311 Carriage w/Lever
	96945	311 A Carriage w/Lever
	42385	312 Lever Kit (incl. Ref. No. 4, 6, 7, 14)
1	45515	Stop Bolt Assembly
2	46810	Detent Assembly
3	47065	Reamer Hinge Pin
4	43400	Lever Arm Assembly
5	46235	Handgrip
6	46205	Eye Bolt Assembly
7	46215	Collar Assembly
8	46210	Shoulder Bolt
9*	96900	Screw
10*	96970	Oil Line Cover
11*	96965	Hose Assembly
	19336	Hose Assembly (Europe)
12*	96895	Clamp
13*	96915	Screw
14	46220	Thumbscrew

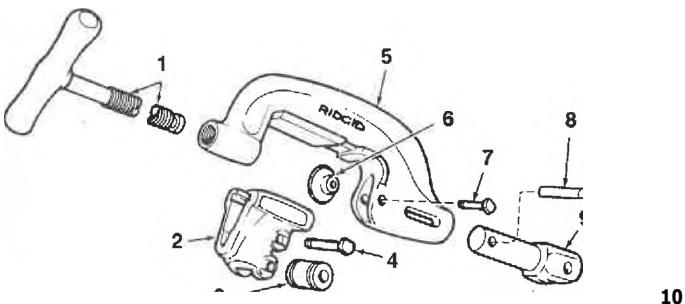
\*Used on 311A Carriage only

**341 Reamer**

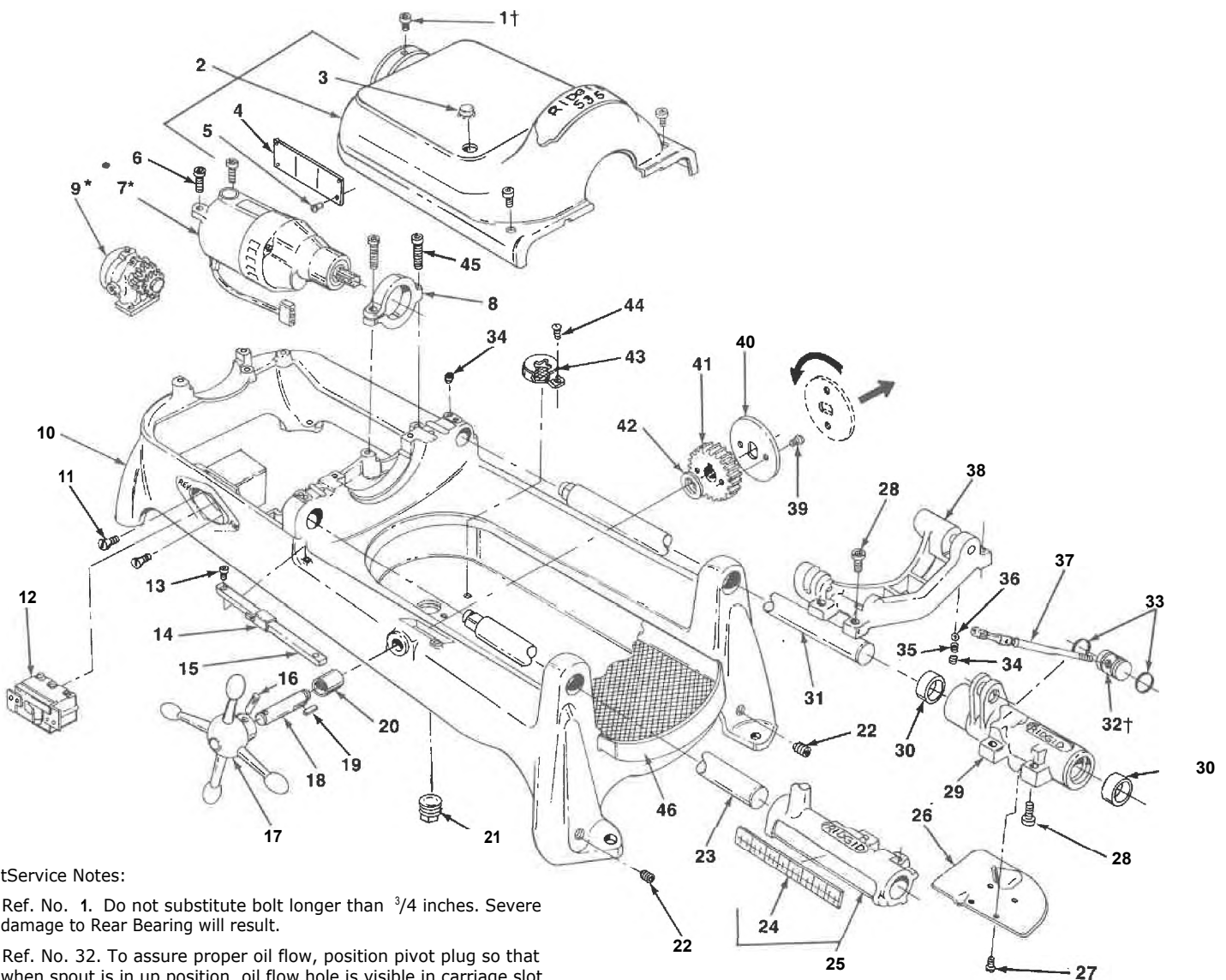


Ref. No.	Catalog No.	Description
—	42365	341 Reamer Complete
1	36277	Cone (R.H.)
	46660	E-863 Cone (L.H. & R.H.)
2	47155	F-693 Pin
3	43790	D-387 Reamer Bar
4	43230	C-144 Reamer Arm
5	44700	E-1664 Latch Spring
6	46665	E-865 Reamer Latch
7	47065	F-412 Hinge Pin
8	46585	E-762 Reamer Knob
9	40910	E-1669 Screw 1/4-20 x 3/4

**360 Cutter**



Ref. No.	Catalog No.	Description
	42370	360 Cutter Complete
1	43625	D-1024-X Screw Handle
2	33400	C-878-X Roll Housing Assembly
3	34305	E-1751 Roll (2)
4	34310	E-1752 Roll Pin (2)
5	43595	C-877 Cutter Frame
6	33100	F-514 Cutter Wheel Thin
	33105	F-3 Cutter Wheel H.D.
	44185	E-1032 Cutter Wheel Std.
7	34780	F-9 Wheel Pin
8	45435	E-3549 Retaining Pin
9	45505	E-3759 Support Arm
10	45520	E-3819 Pin



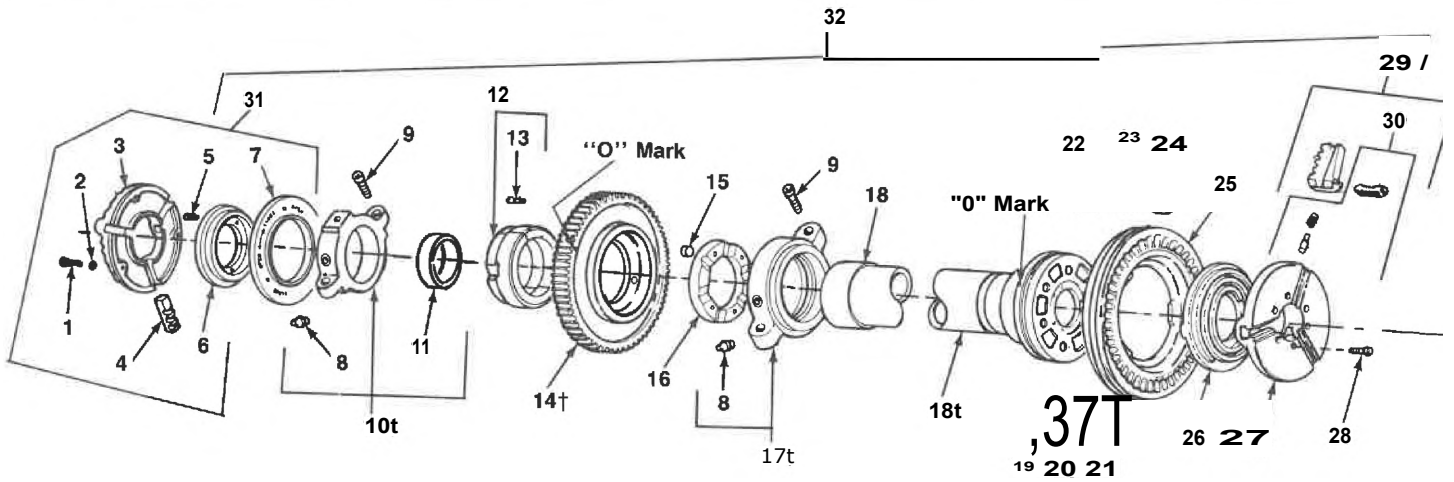
**Service Notes:**

Ref. No. 1. Do not substitute bolt longer than 3/4 inches. Severe damage to Rear Bearing will result.

Ref. No. 32. To assure proper oil flow, position pivot plug so that when spout is in up position, oil flow hole is visible in carriage slot below spout.

Ref. No.	Catalog No.	Description	Ref. No.	Catalog No.	Description
1 t	46760	E-900 Screw 3/2-16 x 3/4 (3)	24	46370	E-591 Scale
2	43190	B-947 Cover (Incls. Ref. No. 3, 4, 5)	25	43115	B-472-1-X Support - Front
3	89310	E-3082 Plug Button	26	45195	E-2963 Drip Plate
4	88690	E-1238 Warning Plate	27	46270	E-5228 Screw V8-20 x 1/2 Pan Hd (4)
5	85920	E-10006 Pop Rivet (8)	28	46755	E-893 Screw 3/2-16 x 1. Sac Hd (4)
6	46745	E-891 Screw 3/8-16 x 1 1/4 (2)	29	43120	B-473-1-X Support - Rear (Inc's. Ref. No. 26, 27, 30)
7"	88125	Motor Model 1177, 115V	30	46720	E-887 Oil Seal (2)
	88165	Motor Model 2377, 230V	31	45220	E-3027 Support Bar - Rear
8	43795	D-400 Motor Bracket	32 t	44340	E-1228 Pivot Plug
9"	47195	Model A Oil Pump	33	44470	E-1373 O-Ring (2)
10	43030	B-268X Base (Incls. Ref. No. 20, 21, 22, 44)	34	46800	E-902 Set Screw NO 6 x V. (3)
11	45280	E-3144 Screw #8-32 x 1/4 Flat Head (2)	35	46680	E-879 Spring
12	44505	E-1417 Switch	36	46925	E-928 Ball
13	45615	E-4251 Screw #10-32 x 1/2 Flat Head (2)	37	44495	E-1409 Oil Spout Assembly
14	47110	F-636 Indicator Slide	38	43110	B-471-1-X Carriage (Incls. Ref. No. 34, 35, 36)
15	47105	F-635 Indicator Bar	39	46785	E-899 Screw #10-32 x
16	47165	F-744 Pin	40	47120	F-639 Lock Plate
17	46510	E-632 Handwheel	41	45430	E-354 Pinion
18	47115	F-638 Pinion Shaft	42	47145	F-677 Spacer
19	46930	E-929 Key She Square	43	46655	E-856-1-X Filter
20	46540	E-666 Bushing	44	45420	E-3467 Screw #10-24 x 3/4
21	44485	E-1376-1 Drain Plug	45	44220	E-1088 Screw 3/8-16 X 1 1/2
22	42037	Set Screw V2-13 x (4)	46	43355	B-474 Chip Pan
23	45440	E-356-X Support Bar - Front			

"Refer to Motor Model No./Refer to Model "A" Oil Pump for Component Parts



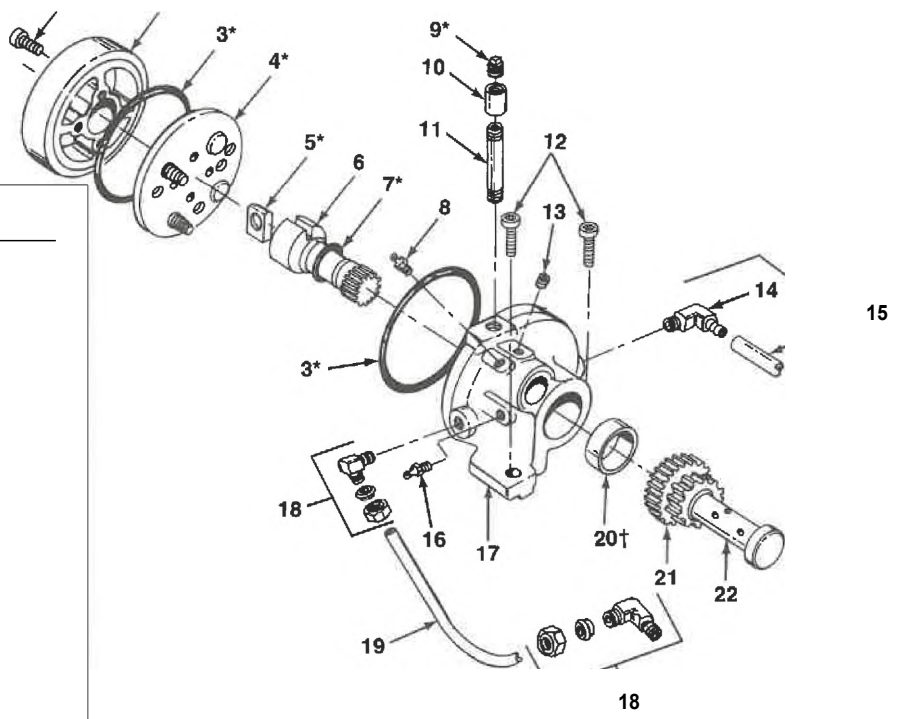
Ref. No.	Catalog No.	Description	Ref. No.	Catalog No.	Description
1	46790	E-900 Screw #12-24 x (6)	17t	43455	C-425-X Bearing Bracket - Front
2	40270	E-1741 Lock Washer 1/4 (6)	18t	43105	B-463-2 Drive Shaft
3	43735	D-334 Centering Head	19	44320	E-1164 Pressure Plunger Set
	19346	Centering Head (Europe)	20	44325	E-1165 Pressure Spring Set
4	46500	E-631 Centering Jaw Set	21	44330	E-1170 Pressure Screw Plug Set
5	46765	E-895 Screw #10-32 x 1/2 (4)	22	44315	E-1163 Drive Wedge Set
6	43750	D-355 Centering Scroll	23	44310	E-1162 Drive Wedge Spring Set
7	43740	D-335 Backplate	24	44305	E-1161 Drive Wedge Cap Set
	19356	Backplate (Europe)	25	43420	C-422-1 Handwheel
8	46860	E-912 Grease Fitting (2)	26	43450	C-424-2 Scroll
9	46745	E-891 Screw 1/4-16 x 1 1/2 (4)	27	43440	C-423-5 Chuck Cap
10t	43730	D-333-X Bearing Assembly - Rear	28	45160	E-2892 Screw 5/16-18 x 2 (6)
11	46545	E-667-R Bearing Sleeve	29	43900	D-475-2X Chuck Jaw Set
12	83525	D-1201 Split Ring w/Screws	30	44715	E-1666-X Jaw Insert Set
13	90255	A-2435 Screw #10-32 x 1/4(2)		97365	E-10794 Jaw Insert Set F/Coated Pipe
14t	43460	C-426 Gear	31	47570	D-625-X Rear Centering Assembly
15	44490	E-1388 Drive Plug (3)	32	47585	Drive Shaft Assembly
16	43895	D-474 Pressure Plate			

tService Notes: Ref. Nos. 14 & 18. When Installing Gear on Drive Shaft, align "0" mark on front of Gear with "0" mark on rear of Drive Shaft Flange. This will assure proper function of Plungers and Drive Wedge.

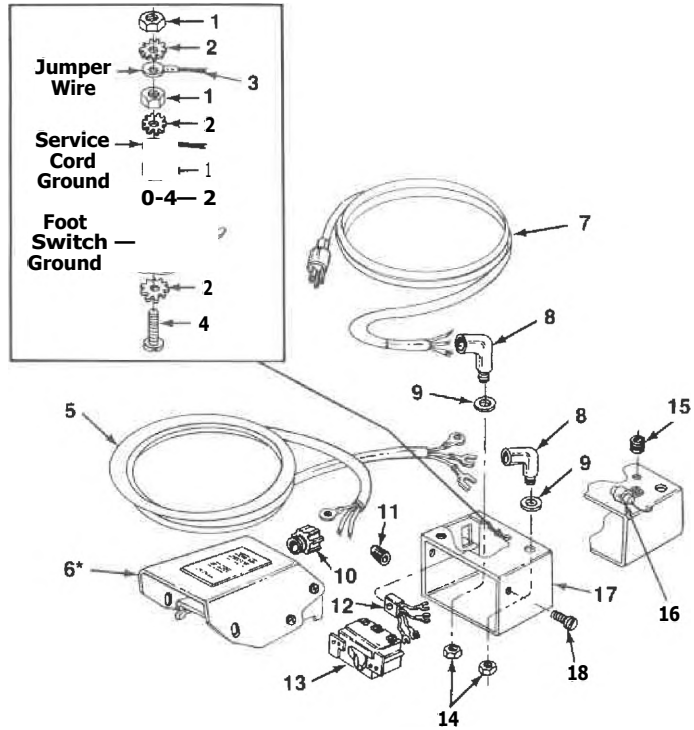
Ref. Nos. 10 & 17. When replacing front or rear bearing brackets, be certain that grease fittings are towards operator's side (front) of machine.

## Model "A" Pump

Ref. No.	Catalog No.	Description
	47195	Pump Complete
1	46770	E-896 Screw #10-32 x 1 SHCS (4)
2	46350	E-557-1 Cover
3*	44650	E-1552 O-Ring (2)
4*	46645	E-850-1X Valve Assembly
5*	47100	F-610 Rotor Blade
6	46355	E-557-2 Pinion Shaft
7*	44645	E-1551 O-Ring
8	46860	E-912 Grease Fitting
9°	46815	E-904 Pipe Plug
10	89725	E-1159 Coupling
11	89730	E-3246 Nipple
12	46750	E-892 Screw Vs-16 x 1 SHCS (2)
13	44455	E-1370 Set Screw V,6x
14	87945	E-1325 90° Fitting
15	75065	E-1326X Intake Line
16	42042	Grease Fitting
17	43470	C-445-1X Pump Body (Incls. Ref. Nos. 3, 8, 16, 20, Roller Bearing)
18	46840	E-907-1 90° Fitting (2)
19	44105	D-864 Feed Line
20t	46715	E-886-1 Oil Seal
21	44350	E-1266 Idler Gear
22	44345	E-1265-1 Gear Shaft
	91055	E-10484 Repair Kit (Includes items marked with °)

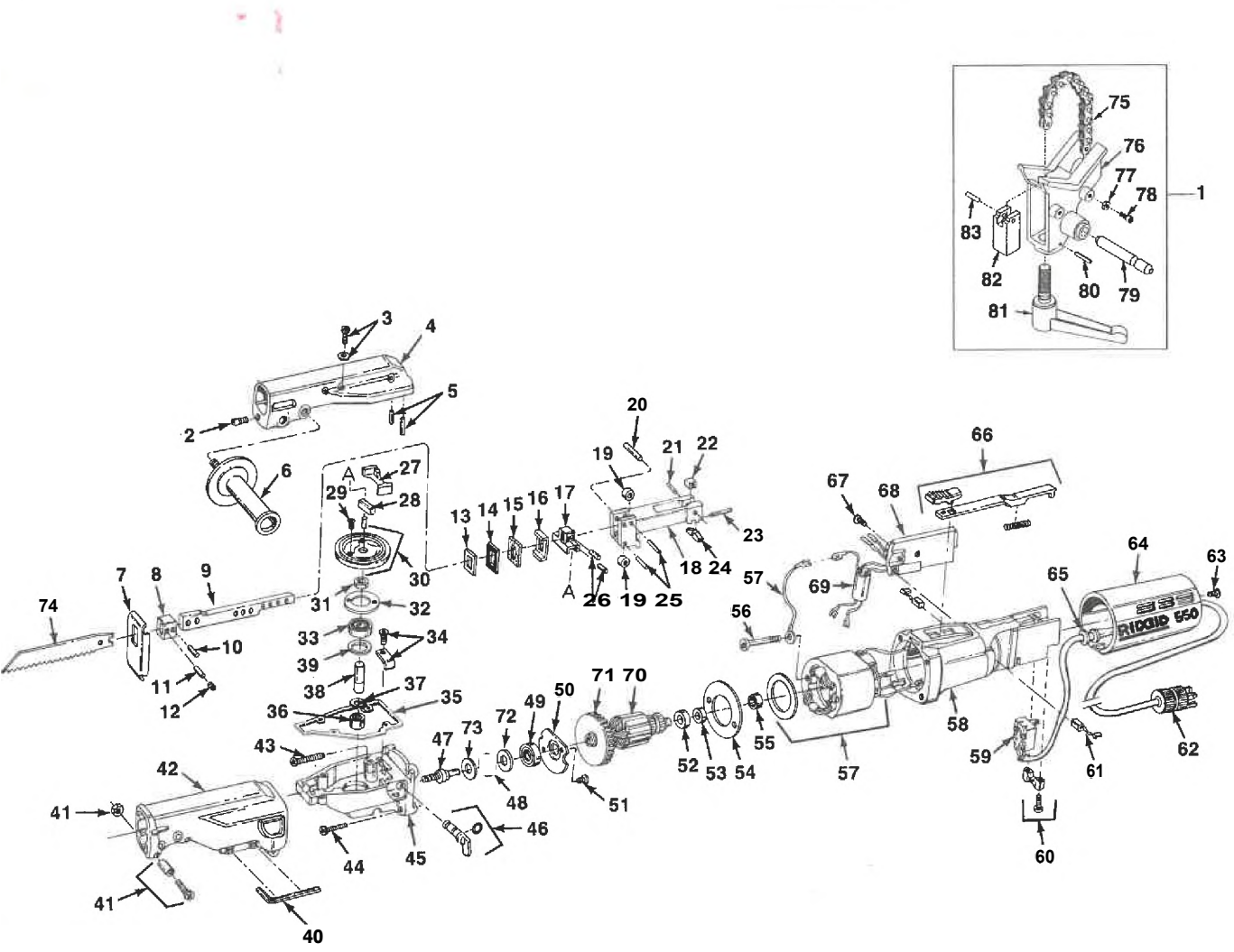


fService Note: When replacing Oil Seal, open side should face towards outside of Pump Body. Use care in installing Seal so that lip is not damaged.

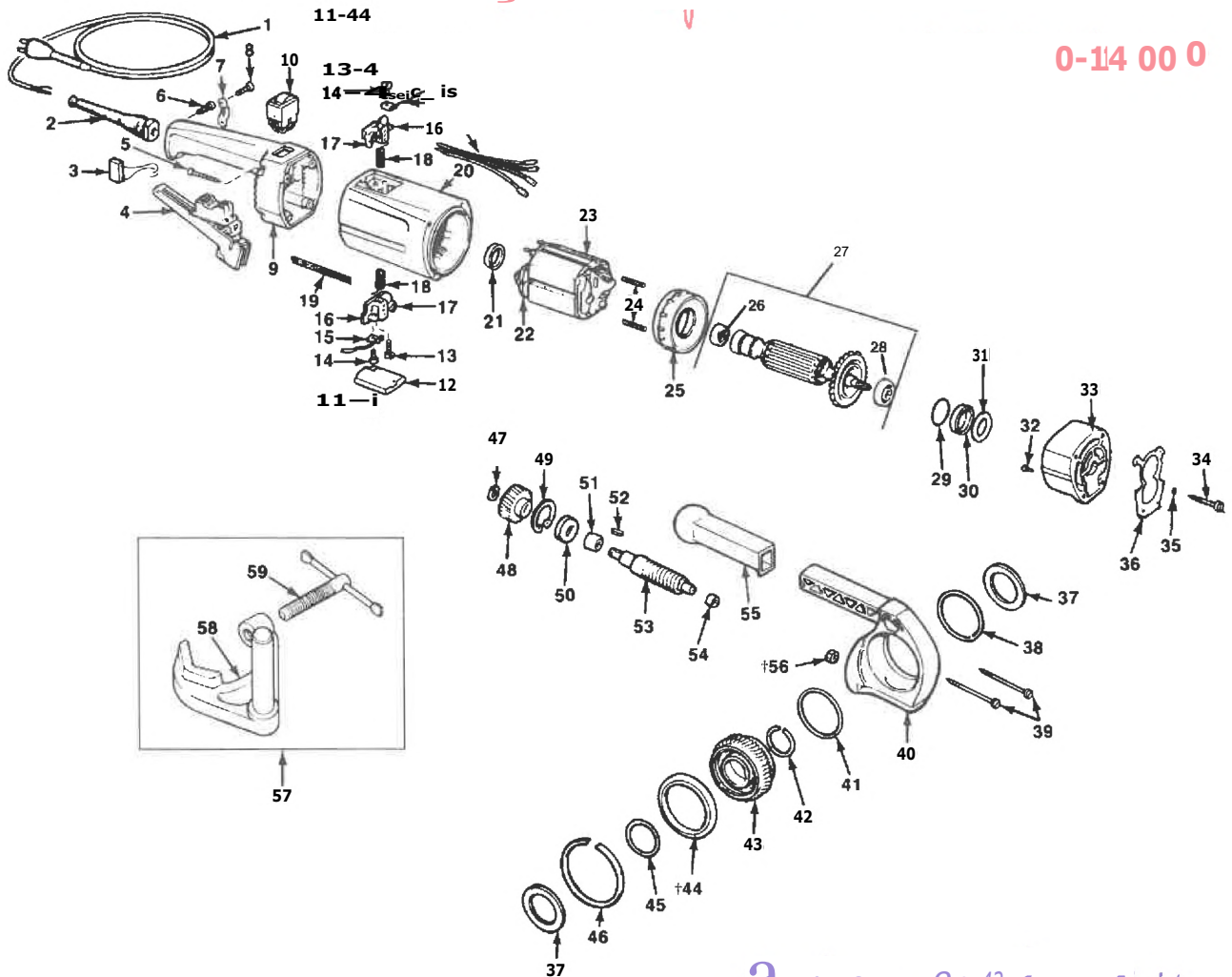


Ref. No.	Catalog No.	Description
1	44695	E-1663 Hex Nut #10-24 (3)
2	46985	E-945 Ext Tooth Washer #10 (4)
3	85925	E-3359 Jumper Wire
4	92455	E-10412 Screw #10-24 x 3/4
5	36707	Foot Switch Cord
6*	36642	B-294 Foot Switch (Inc's. Ref. 5 & 10)
7	46740	E-890-2 Power Cord w/Plug (115V)
	46410	E-607 Power Cord w/Plug (230V)
8	46900	E-923 Connector 90° (2)
9	68870	E-1482 Washer
10	36732	Cord Connector
11	44635	E-1517 Wire Nut (2)
12	86675	E-3190-X Wire Harness
13	44505	E-1417 Switch
14	68865	E-1475 Bushing (2)
15	45805	E-4435 Snap Bushing
16	46320	E-5526-X Suppressor Kit (230V Only)
17	87860	C-549 Switch Box
18	44180	E-1017 Screw 8-32 x 3/16 (2)

\*See Footswitch Model No. for Component Parts



Ref. No.	Catalog No.	Description	Ref. No.	Catalog No.	Description	Ref. No.	Catalog No.	Description
	16341	550 Reciprocating Saw 220V	30	33796	Crown Wheel w/Pin	59	32646	Switch
	16761	550 Reciprocating Saw 110V	31	33836	Distance Bushing	60	32666	Cable Clamp
1	45297	Chain Vise Assy.	32	33806	Bearing Cap	61	32676	Brushes 220V
2	32406	Screw	33	33846	Ball Bearing		34096	Brushes 110V
3	32426	Screw w/Washer	34	32536	Screw & Clip (Includes 46)	62	32716	Line Cord w/Plug 220V
4	34136	Top Cover	35	33906	Seal		34776	Line Cord w/Plug 110V
5	33646	Spring	36	33886	Needle Sleeve	63	32596	Screw
6	32496	Side Grip Handle	37	33876	Locking Ring	64	32656	Brush Holder Housing
7	32466	Support Plate	38	33866	Bearing Bolt	65	34046	Rubber Sleeve
8	33716	Clamping Piece	39	33856	Distance Ring	66	32636	Switch Lever
9	33706	Lift Rod	40	32586	Hex Wrench	67	32596	Screw
10	33816	Spring Pin	41	32576	Screw w/Nut and Sleeve	68	32626	Electronic Control 220V
11	32866	Shear Pin	42	32556	Plastic Cover		34076	Electronic Control 110V
12	33826	Stud	43	33896	Screw	69	33216	Suppressor
13	33726	Scraper	44	32546	Screw	70	33986	Armature 220V
14	33736	Foam Rubber Sealing Ring	45	34126	Gear Case		33996	Armature 110V
15	33756	Felt - Sealing Ring	46	32536	Orbital Action Lever w/Screw and Clip (Inc. 34)	71	34006	Fan
16	33746	Holding Plate	47	33916	Pinion w/Bushing	72	33946	Washer
17	33766	Forked Element	48	33936	Sealing Ring	73	33926	Washer
18	33626	Carrier	49	33956	Bearing 6000Z	74		Blades
19	33636	Roll	50	33966	Bearing Cap	75	47262	Chain
20	33616	Pin	51	33976	Oval Screw	76	47257	Vise Base
21	33656	Spring Pin	52	34016	Bearing 607Z	77	79495	10-32 Hex Nut
22	33666	Pressure Plate	53	34026	Magnet Ring	78	46765	10-32 Screw
23	33676	Spring Pin	54	34036	Air Guide	79	47267	Pivot Shaft
24	33686	Sliding Shoe	55	34056	Bearing Ring	80	41545	Roll Pin
25	33696	Pin	56	34066	Screw	81	47272	Indexing Handle
26	33776	Spring Pin	57	32686	Field 220V w/Wire	82	47277	Slide
27	32486	Orbital Action Guide		34086	Field 110V w/Wire	83	47282	Pin
28	33786	Sliding Shoe	58	32706	Motor Housing		33036	Metal Case
29	34336	Screw					34116	Liner for Case



Ref. No.	Catalog No.	Description	Ref. No.	Catalog No.	Description	Ref. No.	Catalog No.	Description
1	20746	Cord w/Plug (115V)	21	20506	Spacer	42	38830	Spring Ring
	21756	Cord less Plug (230V)	22	20386	Lead Wire Plate	43	34427	Worm Gear
	20276	Cord w/Plug (230V - Europe)	23	21716	Field (115V)	44t	34432	Ring Bearing
2	20286	Sleeve		20246	Field (230V)	45	34407	O-Ring, 4 x 41/6 x 1/8 BUNA N
3	20326	Suppressor	24	20486	Pressure Spring (2)	46	34442	Spiral Ring
4	20266	On/Off Switch	25	20476	Fan Housing	47	34447	Retaining Ring
5	20586	Screw (4)	26	20336	Bearing	48	34452	Helical Gear
6	20576	Screw (3)	27	21736	Armature (115V)	49	34457	Retaining Ring
7	20296	Cable Clamp		20256	Armature (230V)	50	34462	Thrust Bearing
8	20566	Screw (2)	28	47477	Bearing	51	34467	Needle Bearing
9	20526	Handle	29	20466	Spring Ring	52	34472	Key
10	21796	Switch (115V)	30	20456	Spacer	53	34477	Worm
	20516	Switch (230V)	31	20446	Washer	54	34482	Needle Bearing
11	20546	Screw (2)	32	34387	Screw (2)	55	34487	Hand Grip
12	20496	Cap (2)	33	34392	Fan Housing	56†	34492	Hex Nut
13	20556	Screw (2)	34	34397	Screw (2)	57	34497	Support Arm Assembly
14	20406	Screw (2)	35	34517	Brass Washer (2)	58	34502	Arm
15	20396	P.V.C. Wire (2)	36	34512	Gasket	59	34507	Screw Assembly
16	20356	Brush Holder (2)	37	34402	Cap (2)		34522	Worm Gear Lubricant (2 oz.)
17	20316	Coil Spring (2)	38	34437	O-Ring, 2V2x 2 <sup>5</sup> / <sub>8</sub> x 1 <sup>1</sup> / <sub>5</sub> BUNA N		20826	Carrying Case w/Insert
18	20306	Set of 2 Brushes	39	34412	Screw (2)		34527	Insert (only)
19	34382	Name Plate	40	34417	Gear Housing			
20	20236	Motor Housing	41	34422	O-Ring, 4 1/2 x 4 <sup>5</sup> / <sub>8</sub> x 1/16 BUNA N			

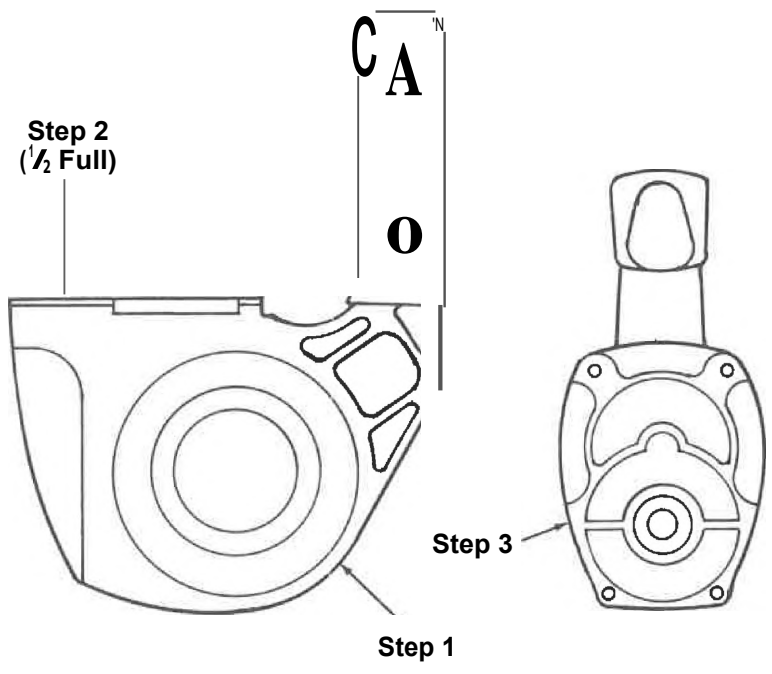
†Ref. 56 is used as a means to pull needle bearing Ref. 54. Use 6 mm or 1/4-20 threaded rod.

tSee Service Notes

# SERVICE NOTES

## Gear Head Assembly

Proper Oil Fill Procedure: Capacity 2 ozs.



- Step 1: Wipe Gear Cavity with oil and assemble Gear Head.
- Step 2: Fill Worm Cavity  $\frac{1}{2}$  full of oil - install Worm.
- Step 3: Pour remaining oil in Helical Gear Cavity - install Helical Gear.
- Step 4: Install new Gasket and attach Motor Assembly with Gear Head upright.

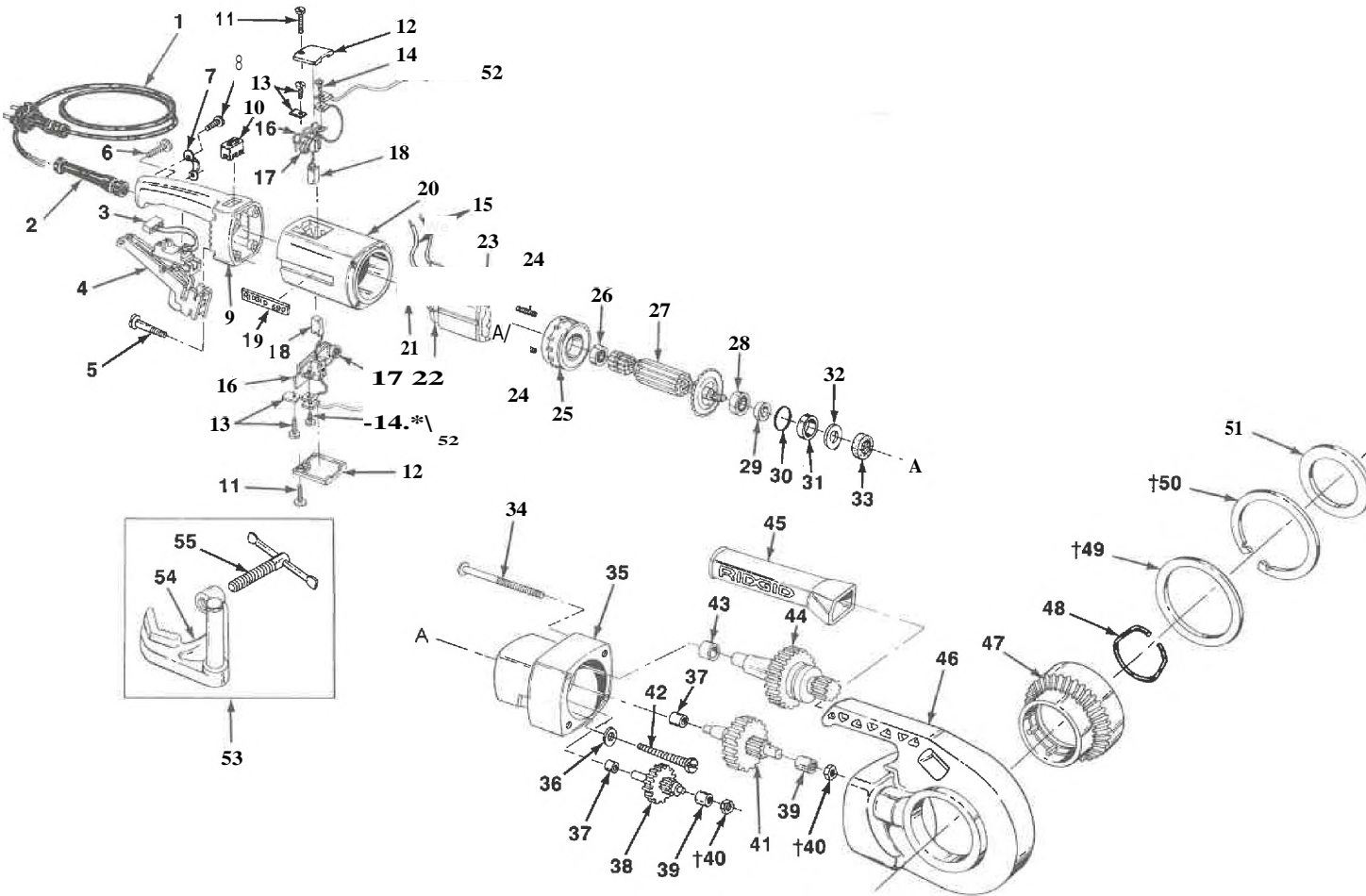
### Ref. No. 56

Hex Nut has been inserted behind Needle Bearing (Ref. No. 54) in the Gear Housing Assembly (Ref. No. 40). To replace Needle Bearing, thread 6 mm or  $\frac{1}{4}$ -.20 rod into nut and pull Bearing.

### Ref. No 44

Chamfered edge of Ring Bearing must be installed (down) into Worm Gear.



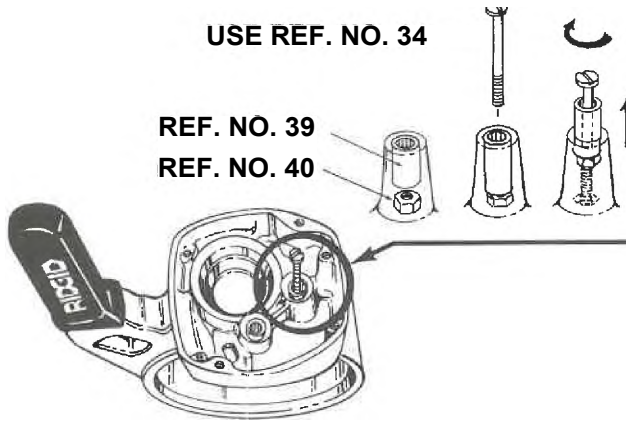


Ref. Catalog No.	Catalog No.	Description	Ref. Catalog No.	Catalog No.	Description	Ref. Catalog No.	Catalog No.	Description
1	20746	Cord w/Plug (115V)	19	43307	Name Plate	37	43247	Needle Bearing (2)
	21756	Cord w/Plug (230V)	20	20236	Motor Housing	38	43237	1st Intermediate Gear
2	20256	Sleeve	21	20506	Spacer	39	43242	Needle Bearing (2)
3	20326	Suppressor	22	20386	Lead Wire Plate	40t	77710	1/4-20 Hex Nut
4	20266	On/Off Switch	23	21716	Field (115V)	41	43252	2nd Intermediate Gear
5	20586	Screw (4)		20246	Field (230V)	42	34397	4.8 x 65mm Screw (4)
6	20576	Screw (3)	24	20486	Pressure Spring (2)	43	43257	Needle Bearing
7	20291	Cable Clamp	25	20476	Fan Housing	44	43262	Main Drive Pinion
8	20566	Screw (2)	26	20336	Bearing	45	34487	Hand Grip
9	20526	Handle	27	21736	Armature (115V)	46	43267	Gear Housing
10	21796	Switch (115V)		20256	Armature (230V)	47	42272	ExdaDKAICalla...
	20516	Switch (230V)	28	20346	Bearing	48	39172	Spring Ring
11	20546	Screw (2)	29	20426	Spacer	49f	43277	Ring Bearing w/Pin
12	20496	Cap (2)	30	20466	Spring Ring	50t	43282	Retaining Ring
13	20556	Screw (2)	31	20456	Spacer	51	43287	Cap
14	20406	Screw (2)	32	20446	Washer	52	43312	Gray Brush Lead (2)
15	20396	P.V.C. Wire (2)	33	20436	Felt Seal	53	43292	Support Arm Assembly
16	20356	Brush Holder (2)	34	43227	1/4-20 x 2 1/2 Screw (4)	54	43297	Arm
17	20316	Coil Spring (2)	35	43232	Fan Housing	55	43302	Screw Assembly
18	20306	Set of 2 Brushes	36	34517	Brass Washer (4)			

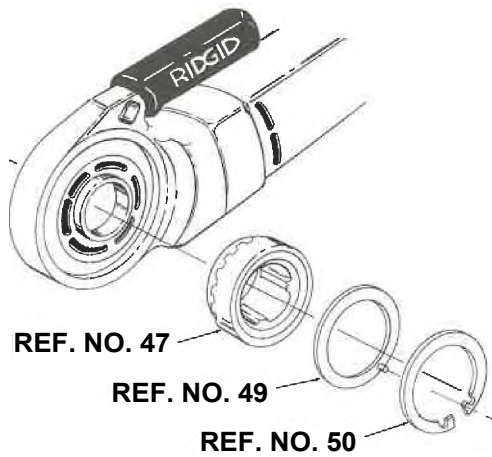
tSee Service Notes

# SERVICE NOTES

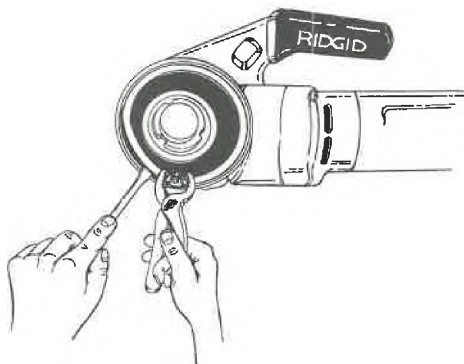
## REF. NO. 40 BEARING REMOVAL



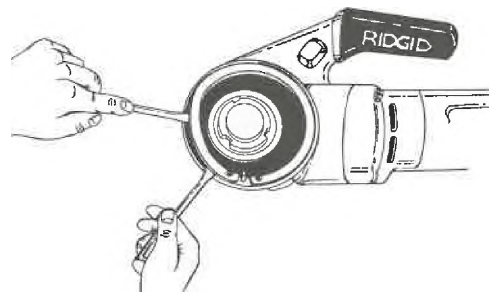
## REF. NO. 49 RING BEARING (PIN) ORIENTATION



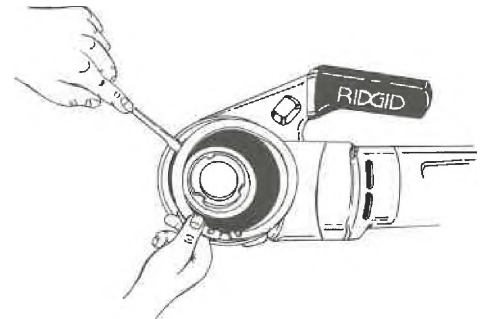
## REF. NO. 50 RETAINING RING REMOVAL



STEP 1

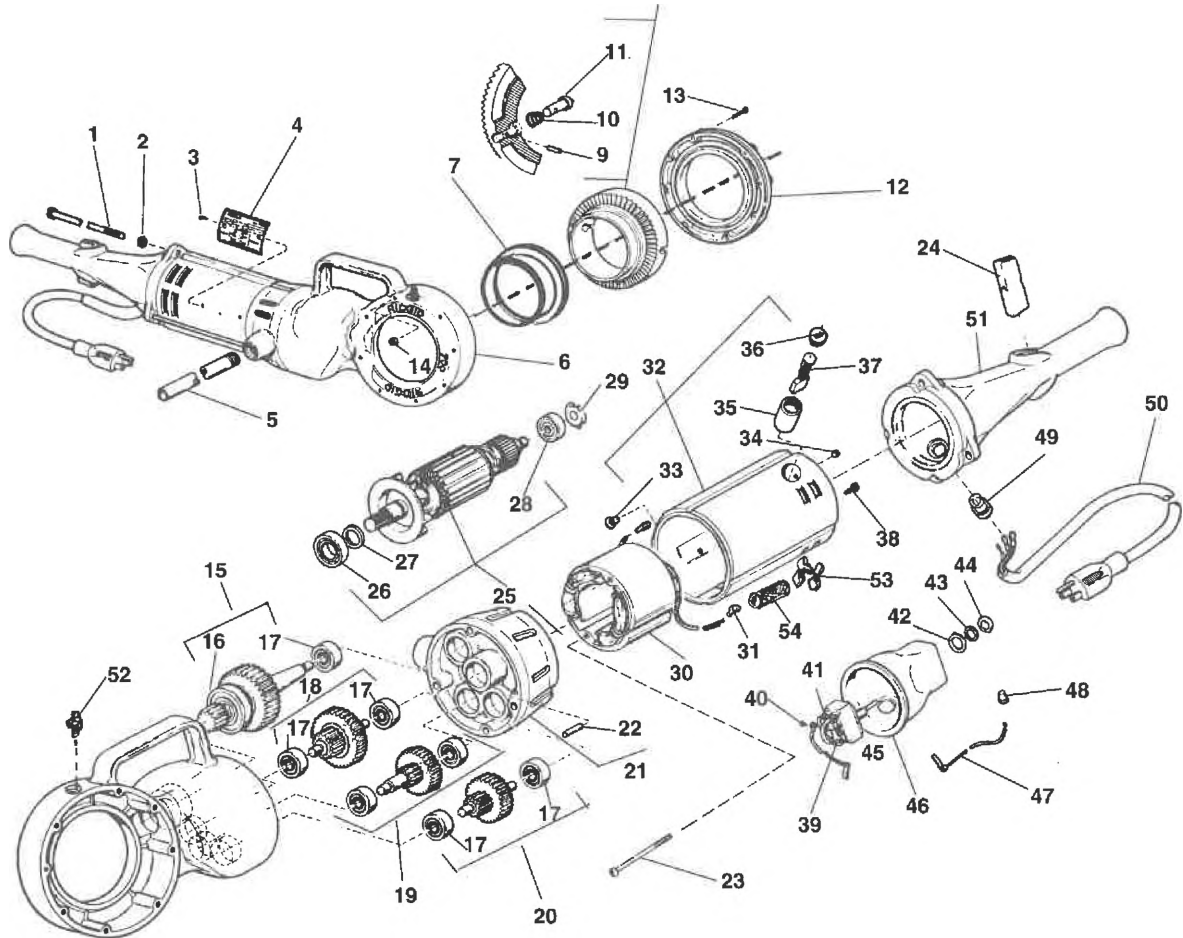


STEP 2



STEP 3

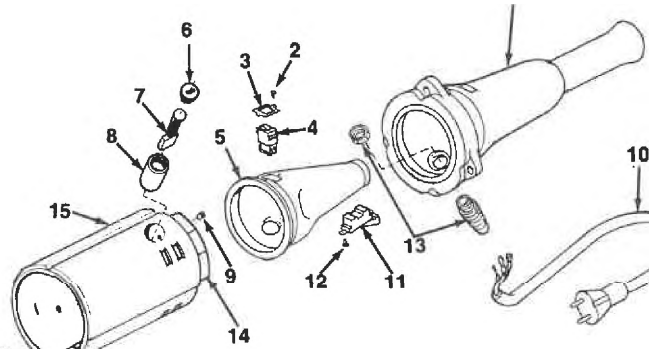
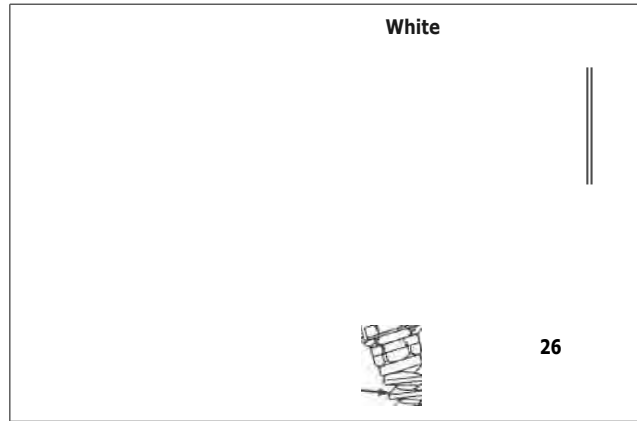
**NOTE: Order parts by Catalog Number only.  
DO NOT order by Reference Number.**



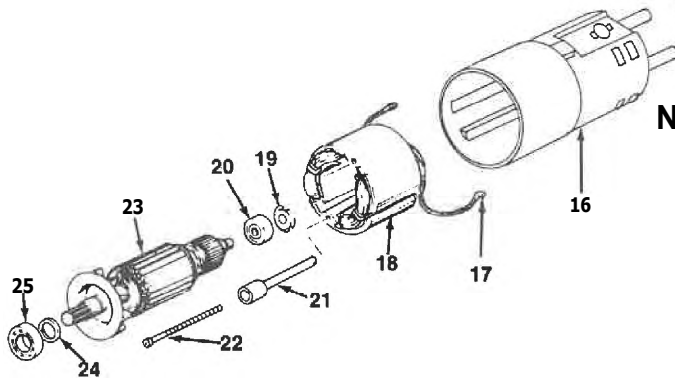
Ref. No.	Catalog No.	Description	Ref. No.	Catalog No.	Description
1	44785	E-1893 Tie Bolt (4)	28	44760	E-1880 Bearing
2	40770	E-1719 Lock Washer (4)	29	44790	E-1894 Load Spring
3	85920	E-10006 Pop Rivet (2)	30	44070	D-755 Field (115V) (Incl. Ref. No. 31)
4		Name Plate (115V)		28922	D-2364 Field (230V) (Incl. Ref. No. 31)
		Name Plate (230V)	31	83895	E-1068 Ring Tongue Terminal (2)
5	46615	E-833 Torque Arm	32	42975	B-191-X Motor Housing Assembly
6	42970	B-190-X Gear Case Assembly (Includes Ref. 7, 13, 14, 52)	33	44765	E-1882 Lock Screw
7	44060	D-751 Bearing	34	39770	E-3145 Set Screw (2)
8	43395	C-375-X Face Gear Assembly	35	44795	E-1895 Brush Holder (2)
9	32475	E-6085 Spring Pin (2)	36	45660	E-4404 Brush Cap (2)
10	44915	E-1967 Spring (2)	37	44815	E-1900-X Brush Assembly (2)
11	44910	E-1966 Adapter Pawl (2)	38	45420	E-3467 Ground Screw
12	43345	C-306 Cover	39	44905	E-1964 Switch
13	46775	E-897 Screw (8)	40	46310	E-5367 Screw (5)
14	83890	E-2870 Lock Nut (8)	41	44890	E-1957 Jumper (2)
15	44900	E-1960-X 4th Gear Assembly	42	75700	E-1953 Lock Ring
16	45315	E-3215 Bearing	43	75695	E-1961 Lock Washer (Internal Tooth)
17	45060	E-2630 Bearing (7)	44	46590	E-799 Lock Nut
18	44830	E-1903-X 3rd Gear Assembly	45	44880	E-1954 Brush Lead (Blue)
19	44820	E-1901-X 1st Gear Assembly	46	43390	C-370 Switch Insulator
20	44825	E-1902-X 2nd Gear Assembly	47	44885	E-1956 Brush Lead (White)
21	43335	C-305-X Fan Housing Assembly	48	44635	E-1517 Wire Nut
22	45165	E-2893 Dowel Pin	49	46730	E-889 Cord Retainer
23	44555	E-1495 Field Mtg. Screw (2)	50	89155	D-1298 Service Cord (115V)
24	97260	E-10649 Switch Button		44045	D-747 Service Cord (230V)
25	44055	D-750-X Armature & Fan Assy. (115V)	51	97255	Handle
	44075	D-758-X Armature & Fan Assy. (230V)	52	46860	E-912 Grease Fitting
26	44565	E-1497 Bearing	53	41270	"X" Washer
27	44430	E-1340 Retaining Ring	54	44755	insulator Tube

**No. 700 Power Drive-w/Dual Switch (Europe only)**

**NOTE: Order parts by Catalog Number only. DO NOT order by Reference Number.**



**No. 700 Power Drive-w/Dual Switch (Europe only)**

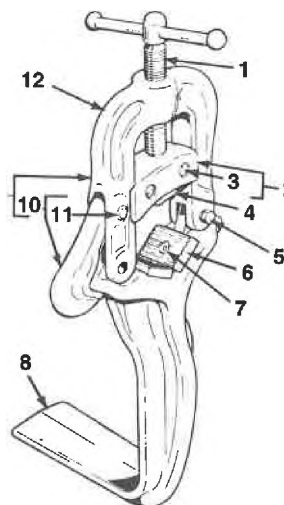


Ref. No.	Catalog No.	Description
1	32116	Handle
2	32176	Screw
3	32166	Clip
4	32126	Reversing Switch
5	32106	Switch Liner
6	30906	Brush Cap
7	44815	Brush Assembly
8	30916	Brush Holder
9	39770	Set Screw (2)
10	18666	Line Cord (Eur. Di.)
	32236	Line Cord 48 Volt
11	32136	On/Off Switch
12	32156	Screw
13	27187	Strain Relief (48 Volt)
	32246	Strain Relief w/Cable Sleeve
14	32096	Insulating Cap
15	18676	Motor Housing
16	18506	Sleeve f/Field
17	12456	Terminal (2)
18	18606	Field
	32306	Field 48 Volts
19	44790	Load Spring
20	44760	Bearing
21	18566	Sleeve f/Screw
22	18486	Field Mounting Screw (2)
23	18596	Armature and Fan Assembly (Eur. Di.)
	32316	Armature and Fan Assembly
24	44430	Retaining Ring
25	44656	Bearing
26	18406	Suppressor

**Service Note:**

For service parts used in early style machines, refer to the model 700 with a single control switch.

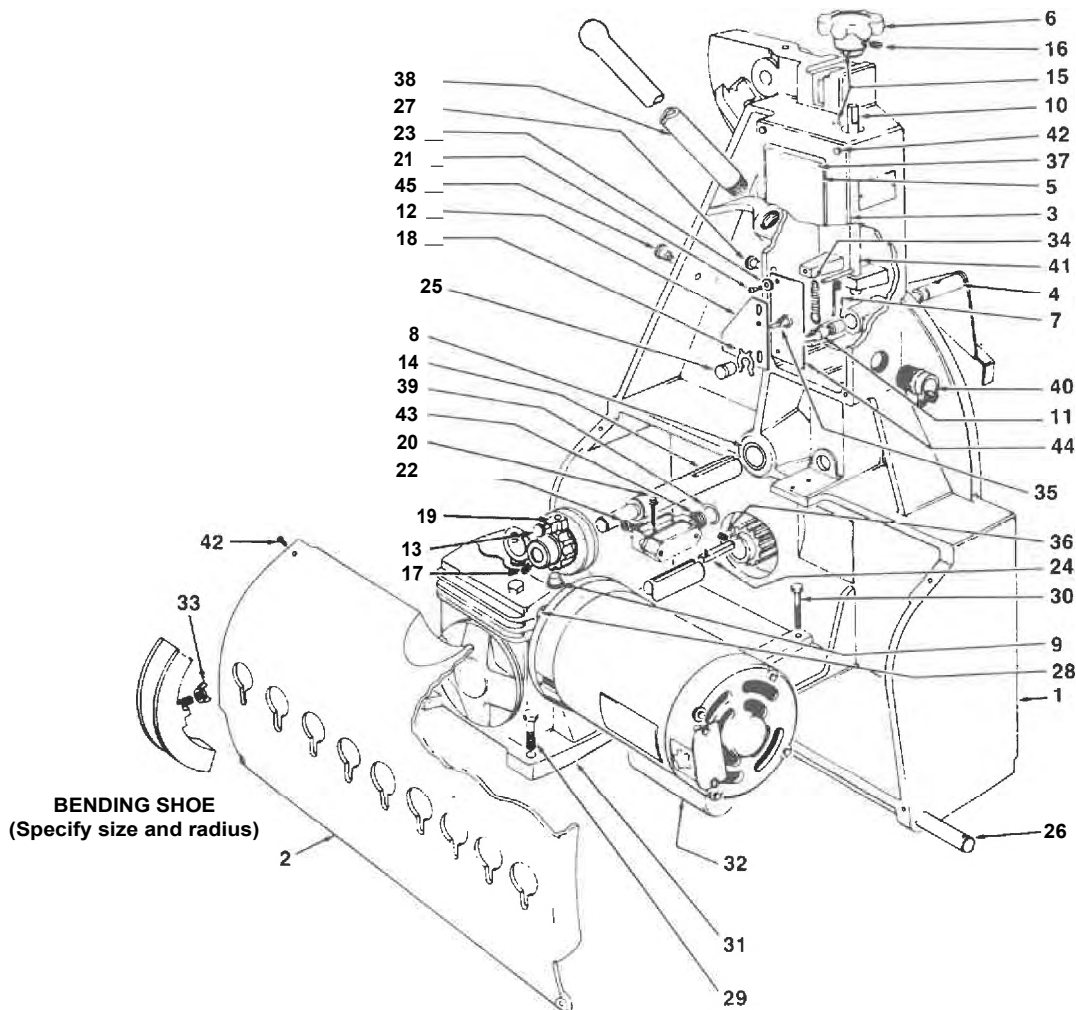
**No. 775 Support Arm**



Ref. No.	Catalog No.	Description
1	40355	Feed Screw
2	40360	Jaw Clamp (Incl. Ref. No. 3)
3	40345	Screw and Washer (2)
4	40335	Upper Jaw
5	40325	Hinge Bolt, Washer and Nut
6	32100	Lower Jaws (1 set) (2 per set)
7	32205	Lower Jaw Screw (2)
8	42945	Base
9	40310	Yoke and Hook Assembly (Incl. Ref. No. 10)
10	40320	Hook (Incl. Ref. No. 11)
11	40340	Hinge Pin
12	40315	Yoke Assembly Complete (Incl. Ref. Nos. 1, 2, 4, 5 & 9)

Power Benders (Rear View)

NOTE: Order parts by Catalog Number only.  
DO NOT order by Reference Number



Ref. No.	Catalog No.	Description
1	42840	A-18-1-X Main Housing Assembly
2	43020	B-2051-1 Motor Cover
3	43240	C-163-1-X Switch Cover
4	43745	D-35-X Trip Plate Assembly
5	43650	D-118 Bend Chart (Electrical)
6	43965	D-521-X Knob Assembly
7	44940	E-251 Spring Clip
8	44970	E-260 Bearing
9	45065	E-266 Plug
10	45090	E-276-X Switch Shaft Assembly
11	45095	E-278 Toggle Shaft
12	45100	E-279 Plate
13	45110	E-281 Thumb Screw
14	45115	E-284 Drive Gear Shaft
15	45125	E-286 Stop Pin (2)
16	45140	E-288 Set Screw
17	45155	E-289 Set Screw
18	45180	E-293 "X" Washer
19	45235	E-311-X Degree Dial (805)
	46115	E-471-X Degree Dial (805-S Only)
20	45240	E-312 Screw (2)
21	45275	E-313 Screw (2)
22	45320	E-323-X Switch Assembly
23	45365	E-328 Washer (2)
24	45380	E-329-X Key and Pin Assembly

Ref. No.	Catalog No.	Description
25	45445	E-357 Plug, Plastic
	45105	E-280 Cycle Knob
26	45460	E-361 Axle
27	45465	E-363 Plug
28	45470	E-364 Screw (4)
29	45590	E-410 Screw (2)
30	45595	E-411-X Bolt, Nut and Washer (2)
31	45600	E-414 Gear Box 60:1 Ratio (805)
	45605	E-421 Gear Box 30:1 Ratio (805-S)
3.7	42185	E-422 1/4 h.p. Motor (For 30:1 Ratio)
	45610	E-424 1/2 h.p. Motor (For 60:1 Ratio)
33	46065	E-467 Wing Nut
34	46070	E-468 Spring
35	46110	E-470-X Toggle Switch (230 Volt)
	46485	E-6284-1-X Toggle Switch (115 Volt)
36	46125	E-473 Set Screw
37	47040	E-977 Drive Screw
38	35030	E-1176 Handle
39	44645	E-1551 "O" Ring
40	45360	E-3270 Cord Connector
41	45420	E-3467 Ground Screw
42	46470	E-6270 Screw
43	46475	E-6277-1 Coil Adapter
44	46480	E-6282 Switch Plate
45	39990	F-74 Shoulder Screw

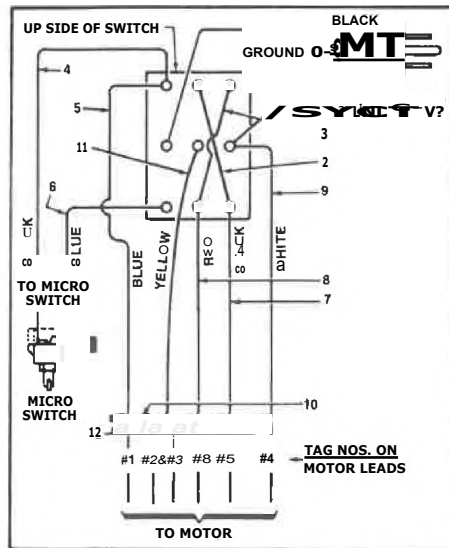
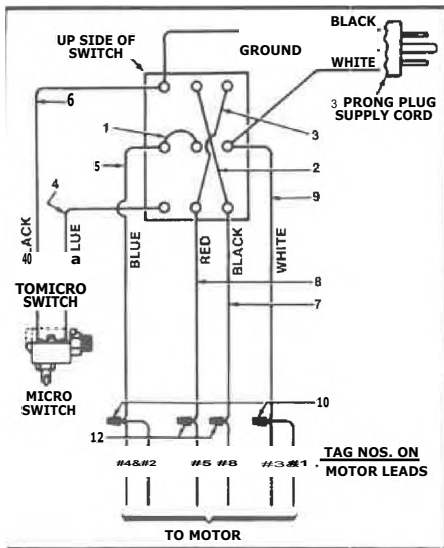
Power Benders - Wiring Diagrams

Accessories

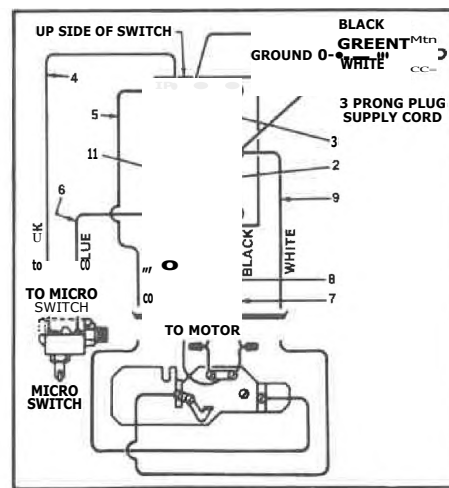
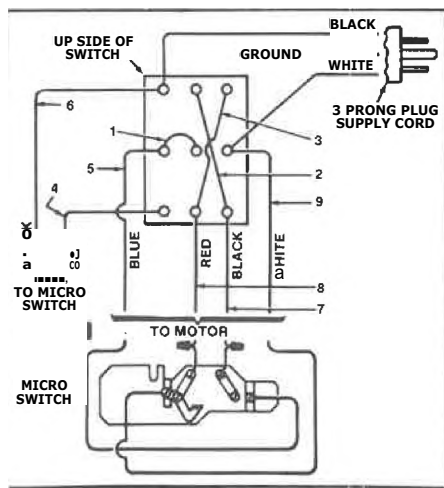
115 Volt

Doerr Motors

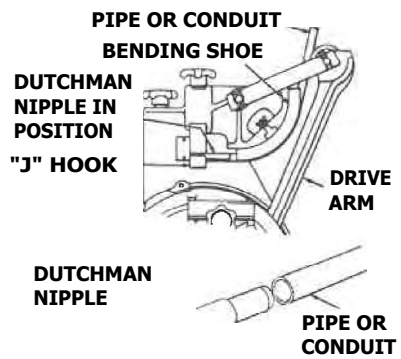
230 Volt



General Electric Motors

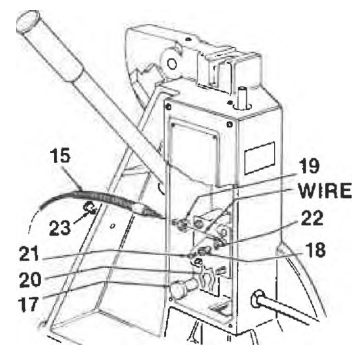


DUTCHMAN NIPPLES

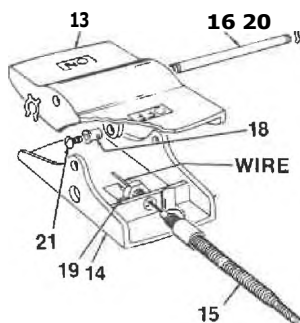


DUTCHMAN NIPPLES FOR RIGID CONDUIT

Catalog No.	Description	Size
42190	E-457	1/2"
42195	E-458	3/4"
42200	E-459	1"
<b>FOR E.M.T.</b>		
42205	E-6312	1/2"
42210	E-6313	3/4"
42215	E-6314	1"



"On"- "Off" Foot Control Assembly



Ref. Catalog No.	No.	Description
—	43225	C-12-X Foot Control Assembly (Complete) (Includes All Parts Listed Below)
13	43200	C-10 Treadle
14	43215	C-11 Base
15	43845	D-43-X Control Cable Assembly (Incl. Ref. No. 18)
16	44945	E-252 Pivot Pin
17	45105	E-280 Cycle Knob
18	45190	6-295 Wire Cramp (2)
19	45290	E-316 Clamp Nut (2)
20	45625	E-427 "X" Washer (2)
21	34715	E-3586 Screw (2)
22	35515	E-6092 Wave Washer
23	39990	F-74 Shoulder Screw

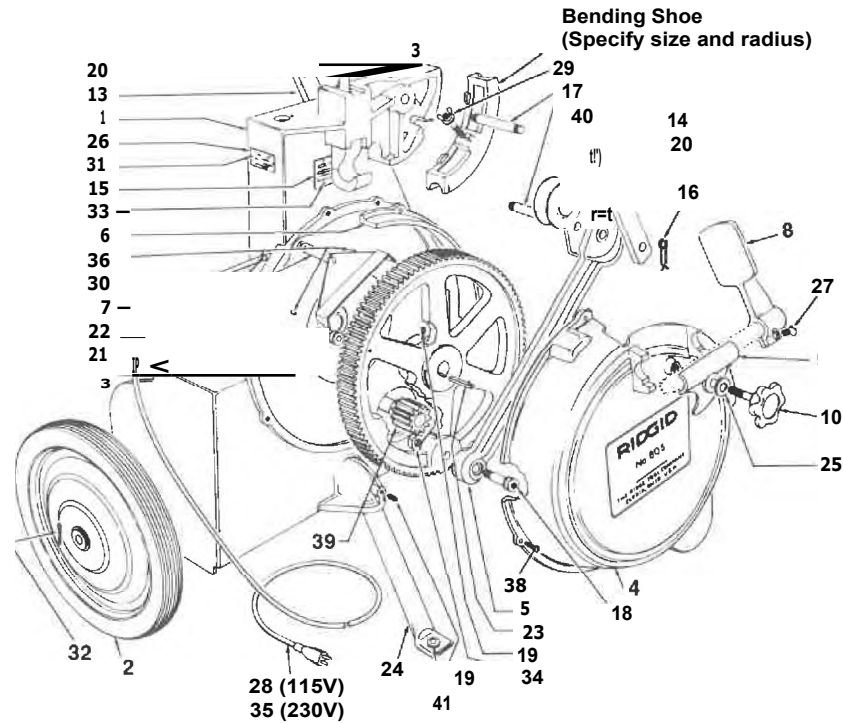
Ref. Catalog No.	No.	Description
1	45410	E-343-X 23/4" Black Jumper Wire (115V only)
2	45450	E-358-X 5 1/8" Black Jumper Wire
3	45455	E-360-X 578" Red Jumper Wire
4	45550	E-397-X 111/4" Blue Micro Switch Wire
5	45560	E-398-X 201/4" Blue Switch Wire
6	45565	E-399-X 151/2" Black Micro Switch Wire
7	45570	E-400-X 193/4" Black Switch Wire
8	45575	E-401-X 193/4" Red Switch Wire
9	45580	E-402-X 201/4" White Switch Wire
10	45630	E-431 Wire Nut 115V (2 req.), 230V (1 req.)
11	45935	E-447-X 201/4" Yellow Switch Wire (230V only)
12	44635	E-1517 Wire Nut 115V (2 req.), 230V (4 req.)

NOTE: Order parts by Catalog Number only. DO NOT order by Reference Number

Power Benders (Front View)

Ref. No.	Catalog No.	Description
1	42840	A-18-1-X Main Housing Assembly
2	43000	B-2047 Wheel (16") (2)
3	43005	B-2048-1 Drive Gear
4	43010	B-2049-1 Gear Cover
5	43015	B-2050-1 Drive Arm
6	43235	C-160-1 Cover Strip
7	43745	D-35-X Trip Plate As y.
8	43990	D-64-X Stop Pad
9	44125	D-88 Stop Clamp
10	43945	D-517-X Stop Clamp Knob
11	43960	D-520 "J" Hook Knob
12	43970	D-526-1-X "J" Hook
13	43975	D-531-1 Pivot Arm
14	43980	D-532-1 Movable Pivot Arm
15	44935	E-242 Selector Plate
16	44940	E-251 Spring Clip (2)
17	45070	E-267 Pivot Arm Pin (2)
18	45120	E-285 Shoulder Screw
19	45155	E-289 Set Screw (3)
20	45185	E-294 "X" Washer (3)
21	45350	E-325 Trip Roll
22	45355	E-326 Trip Roll Pin
23	45380	E-329-X Key and Pin Assembly (2)
24	45510	E-378-X Leg
25	45585	E-405 Washer
26	45620	E-426 Name Plate
27	46055	E-463 Screw
28	46060	E-465 Service Cord (115V)
29	46065	E-467 Wing Nut
30	45360	E-3270 Cord Grommet
31	46870	E-913-1 Drive Screw (2)
32	47030	E-975 Cotter Pin (2)
33	47040	E-977 Drive Screw (8)
34	44745	E-1732 Jam Nut
35	76405	E-2201 Cord (230V)
36	45745	E-3699 Spring Pin (2)
37	46080	E-4688 Set Screw
38	46470	E-6270 Screw (13)
39	46495	E-6303 Pinion Gear
40	46505	E-6316 Bending Roll
41	40940	F-532 Grommet

USE 1" E.M.T. with 43990 (D-64-X) STOP PAD for LENGTH GAGE



NOTE: Order parts by Catalog Number only. DO NOT order by Reference Number.

BENDING SHOES FOR RIGID CONDUIT				BENDING SHOES FOR E.M.T.			
Catalog No.	Old Part No.	Size	Radius	Catalog No.	Old Part No.	Size	Radius
42080	C-184-X	1/2"	2 1/2"	42110	C-190-X	1/2"	2 1/2"
42085	C-185-X	1/2" x 3/4"	3"	42115	C-191-X	1/2"	STD.
42090	C-186-X	1/2" x 1/4"	3 1/2"	42120	C-192-X	3/4"	STD.
42095	C-187-X	1/2" x 1/4"	4 1/2"	42125	C-193-X	1"	STD.
42100	C-188-X	1/2" x 3/4"	5"	42130	*C-194-X	1 1/4"	6 1/2"
42105	C-189-X	1"	5"				

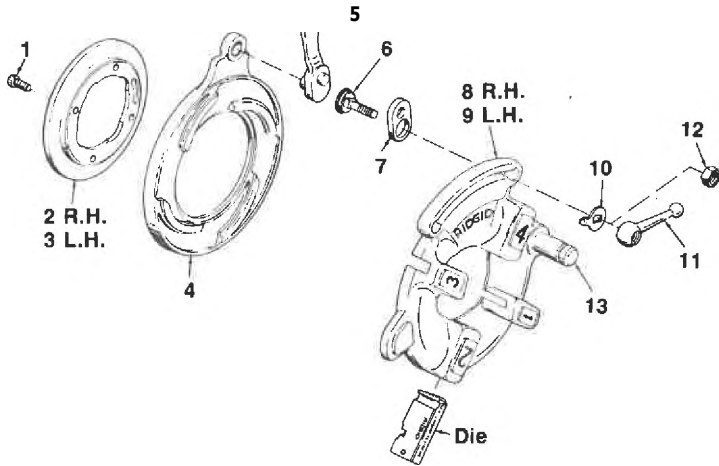
\*Shoe Assembly Includes Special Roll

BENDING SHOES FOR COPPER AND STEEL TUBE				SPECIAL BENDING SHOES FOR COPPER AND STEEL TUBE			
Catalog No.	Old Part No.	Size	Radius	Catalog No.	Old Part No.	Size	Radius
42145	*C-1151-X	% O.D.	3 3/8"	42160	C-1154-X	1/2" O.D.	2"
42150	*C-1152-X	(1/2 Water Tube K & L) 2/3 O.D.	5 1/4"	42135	"C-1149-X	3/4" O.D.	3 1/4"
42155	*C-1153-X	(3/4 Water Tube K & L) 1 1/8 O.D. (1" Water Tube K & L)	5%"	47225	SC-192-X	1" O.D.	6 1/4"

\* Shoe Assembly Includes Special Roll

**RIDGID Through-Head-Oiling Die Heads**

**811  
842  
555  
531 B  
532B  
MONO (A-SERIES)**



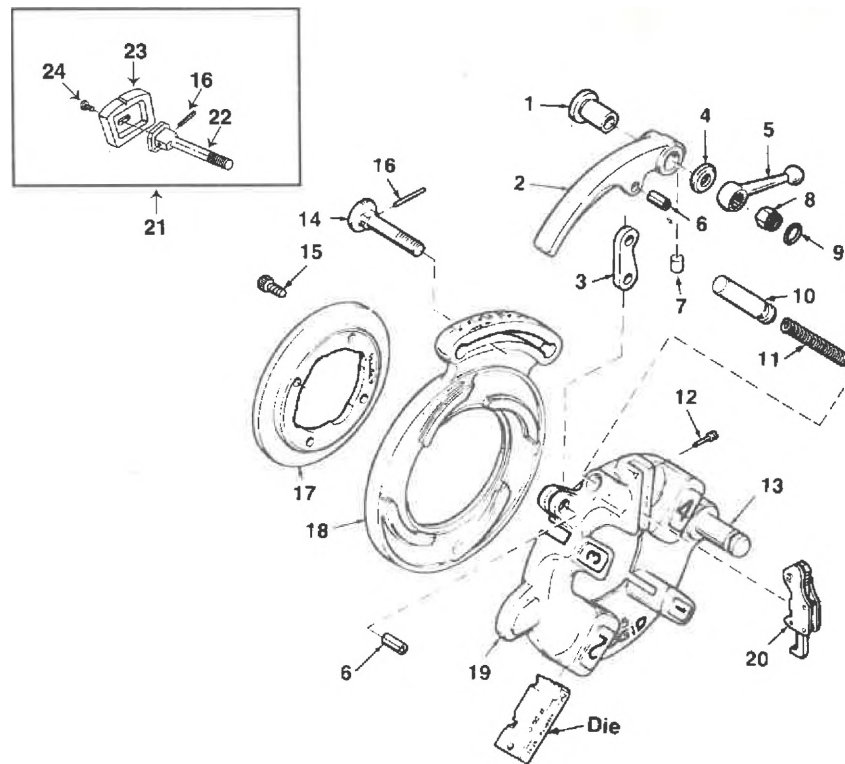
**NOTE: Order parts by Catalog Number only.  
DO NOT order by Reference Number.**

**QUICK OPENING DIE HEADS**

Ref. No.	1	2	3	4	5	6	7	8	9	10	11	12	13
Die Head & Catalog No.	Screw	Retaining Ring-RH	Retaining Ring-LH	Cam Plate	Throw-Out Lever	Lock Screw	Link	Head/w Post-RH	Head/w Post-LH	Lever Washer	Clamp Lever	Hex Nut	Post
811A (97065) 3/8"-2" LH NPT	32205	97020	—	43360	46520	39860	39950	40922	—	39460	39970	—	15972
842 (23282) 3/8"-2" LH NPT	32205	—	23292	43360	40520	39860	39950	—	23287	39460	39970	—	15972
555 (10491) in. 3/4	32205	24256	—	43365	46555	39860	39950	24006	—	39460	39970	—	15972
531B (97045) 1/4"-1" RH/LH	32205	46620	46620	43405	46555	39955	39950	97055	97055	39460	39970	—	15972
532B (97050) 1/8"-2" RH/LH	32205	46625	46625	43410	46555	39955	39950	97060	97060	39460	39970	—	15972
811A (97070) 1/8"-2" BSPT	32205	97020	—	43360	46520	39860	39950	40957	—	39460	39970	—	15972
842 (23297) 3/8"-2" LH (BSPT)	32205	—	23292	43360	40520	39860	39950	—	23302	39460	39970	—	15972
Mono (W-3/8") RH 7/8" (41032) 1/4" (41037) 1/8" (41042)	32205	6-41862 1/4"-41867 6"-41872	—	43305	46555	47140	39950	41907	—	39460	—	46820	15972
Mono (1/2"-3/4") RH 1/2" (41047) 1/4" (41062)	32205	ve-41877 1/4"-41882	—	43300	46555	47140	39950	41912	—	39460	—	46820	15972
Mono (1"-1 1/4") RH 1" (41057) 1 1/4" (41062)	32205	1"-41887 1 1/4"-41892	—	43295	46555	47140	39950	41917	—	39460	—	46820	15972
Mono (1 1/2"-2") RH 1 1/2" (41067) 2" (41072)	32205	1 1/2"-41897 2"-41902	—	43290	46555	47140	39950	41922	—	39460	—	46820	15972



**815A NPT Self-Opening Through-Head Oiling Die Head**  
**815A BSPT Self-Opening Through-Head Oiling Die Head**



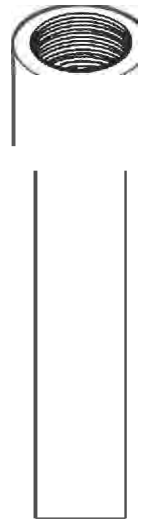
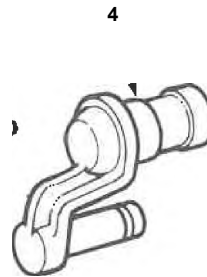
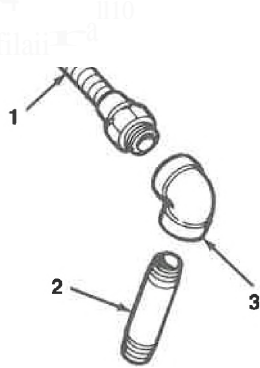
**NOTE: Order parts by Catalog Number only.  
 DO NOT order by Reference Number.**

Ref. No.	Catalog No.	Description
	87075	815A NPT
	97080	815A BSPT
1	44240	Bushing
2	43830	<b>Throw-Out</b> Lever
3	44265	Throw-Out Link
4	44245	Washer
5	44260	Clamp Lever
6	44270	Roll Pin (2)
7	45055	Insert
8	44250	Nut
9	44255	Retaining Clip
10	44275	Throw-Out Plunger
11	44280	Spring
12	44290	Trigger Screw
13	15972	Post
14	44235	Lock Screw
15	32205	Sock Hd Screw 1/4"-20 x 5/8," (4)
16	45050	Pin
17	97020	Retaining Ring
18	40942	Cam Plate - NPT
	40962	Cam Plate - BSPT
19	40932	Head w/Post
20	44285	Trigger Assembly
21	45332	Gauge Plate Assembly
22	46722	Adjustable Lock Screw
23	46717	Gauge Plate
24	47147	Screw

Note: Early Style 815/845 parts interchangeable with 815A NPT  
 Early Style 855 parts interchangeable with 815A BSPT

**io. 768 Drive Link Assembly**

0000011114111011P  
Ratio 1:10  
Main Unit

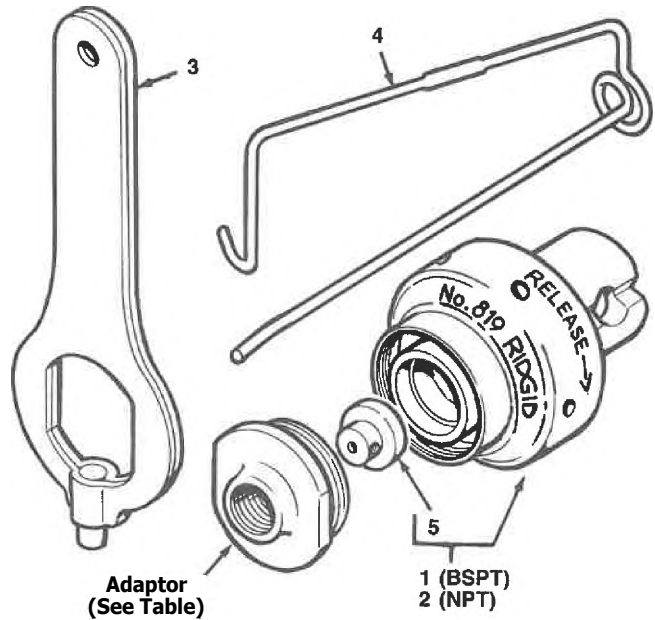


Ref. No.	Catalog No.	Description
1	39845	Coolant Nozzle
2	39850	Nipple
3	39855	Elbow
4	75040	Drive Link Assembly
5	39515	Pipe Extension Assembly
6	39755	Set Screw

**10. 819 Nipple Chuck Ind Adaptors**

standard Pipe (NPT) capacity: 1/8" - 2"  
Molts or Studs (UNC or UNF) capacity: 1/4" - 2"

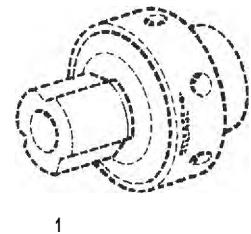
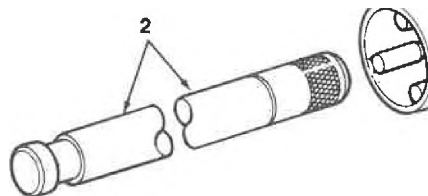
Ref. No.	Catalog No.	Description
1	68285	Nipple Chuck Body with Insert (BSPT)
2	51025	Nipple Chuck with Insert (NPT)
3	51020	Nipple Chuck Wrench
4	51010	Carrier
	51040	Pipe Adaptor (NPT) 1/8"
	51045	1/4"
	51050	3/8"
	51055	1/2"
	51060	3/4"
	51065	1"
	51070	1 1/4"
	51075	1 1/2"
5	51035	Insert



UNC	UNF	
Catalog No.	Catalog No.	Description
51080	51160	Stud Adaptor 1/4"
51085	51165	1/2"
51090	51170	
51095	51175	7/16"
51100	51180	1/2"
51105	51185	
51110	51190	3/4"
51115	51195	3/4"
51120	51200	7/8"
51125	51205	1"
51130	51210	1 1/8"
51135	51215	1 1/4"
51140	51220	1 3/4"
51145	51225	1 1/2"
51150		1 3/4"
51155		2"

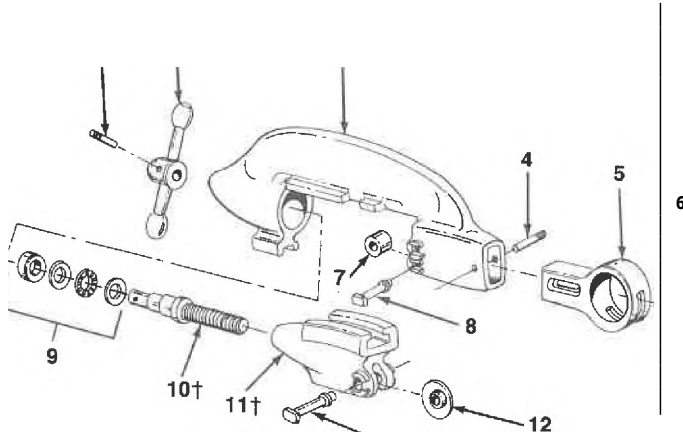
**Jo. 829 Nipple Chuck Kit**

Ref. No.	Catalog No.	Description
1	83395	Spring Ring
2	83390	Bar
3	83385	Sleeve Assembly



**RIDGID Cutters**

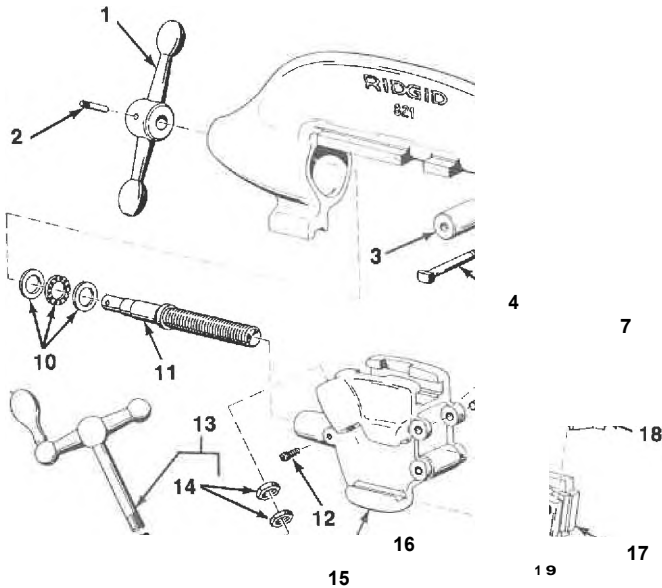
**820 Cutter**



Ref. No.	Catalog No.	Description
1	42390	820 Cutter Complete
1	47160	F-743 Crank Pin
2	45765	E-4428 Feed Screw Crank
3	43040	B-299 Cutter Frame
4	47135	F-660 Stop Pin
5	43690	0-224-2 Cutter Arm (Not Included with 820 Cutter Complete)
6	44930	E-2398 Stop Screw, 3/4" x 3/4"
7	34775	F-8 Cutter Roll (2)
8	34780	F-9 Cutter & Roll Pin (3)
9	46725	E-888-X Thrust Bearing Assembly
10†	45780	E-4430 Feed Screw
11†	43245	C-168 Roll Housing
12	44185	E-1032 Cutter Wheel
	44190	E-1032-S Cutter Wheel f/Stainless

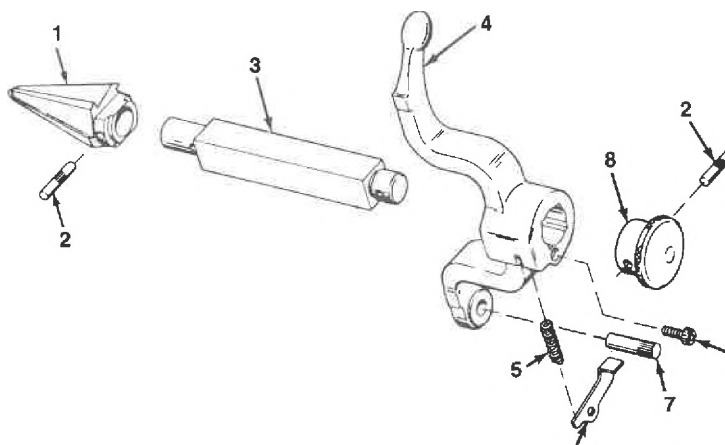
†Service Note: When replacing parts on early style (fine thread) cutters, both feed screw and roll housing must be replaced.

**821 Blade-Type Cutter**



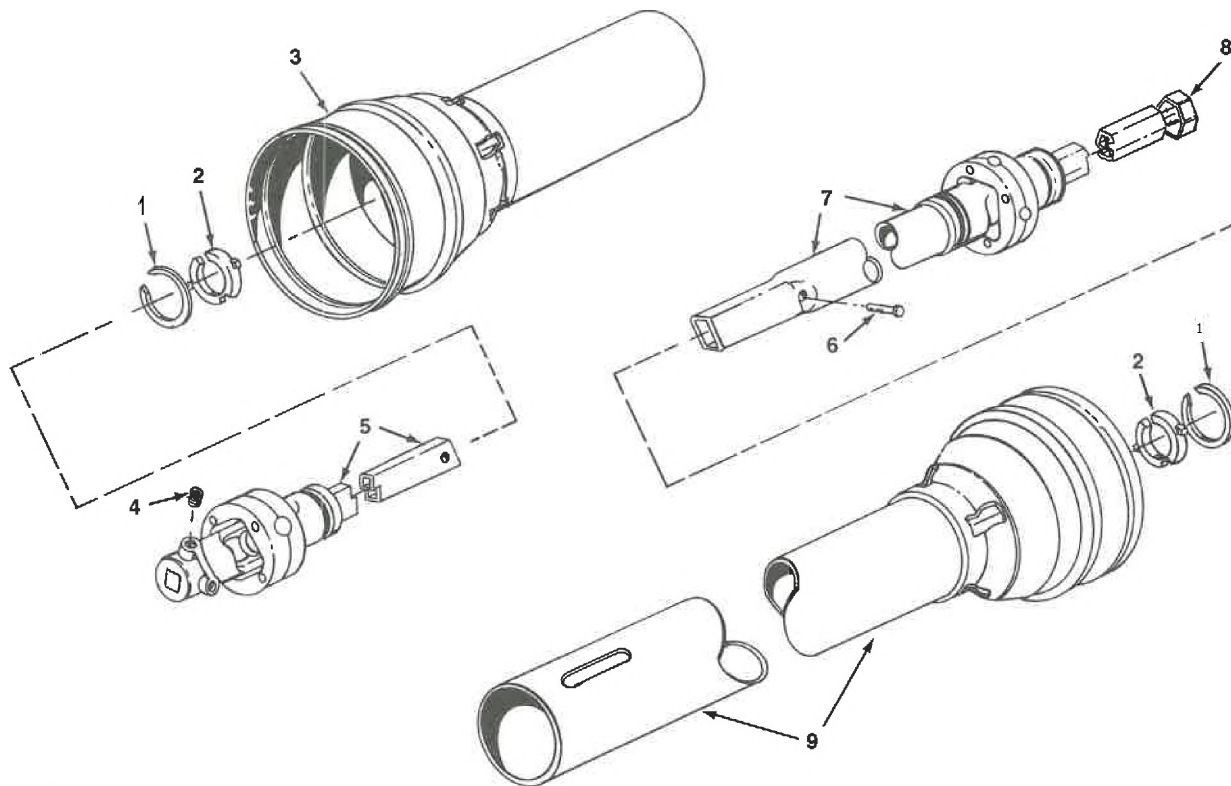
Ref. No.	Catalog No.	Description
1	42395	821 Cutter Complete
1	45765	E-4428 Feed Screw Crank
2	47160	F-743 Crank Pin
3	46965	E-937 Wide Roll
4	34310	E-1752 Wide Roll Pin
5	42910	B-133 Cutter Frame
6	47135	F-660 Stop Pin
7	46960	E-936 Narrow Roll (2)
8	46970	E-938 Narrow Roll Pin (2)
9	39820	E-4893 Spring Pin (2)
10	44920	E-2-X Bearing Assembly
11	45780	E-4430 Feed Screw
12	46920	E-926 Screw #10-24 x 1/4
13	43825	D-417-X Cutter Screw Assembly
14	44745	E-1732 Stop Nut (2)
15	42915	B-134 Roll Housing
16	32270	<b>E-1027</b> Screw 3/4"-18 x 3/4(2)
17	43820	D-416 Tool Holder Slide
18	34217	Grooving Tool
	44200	E-1050 Saran Tool
	43890	D-471 Cut-Off Tool, 45° Bevel
	34212	Cut-Off Tool, 37 1/2° Bevel
19	46190	E-507 Hex Wrench, 1/4"

**341 Reamer**



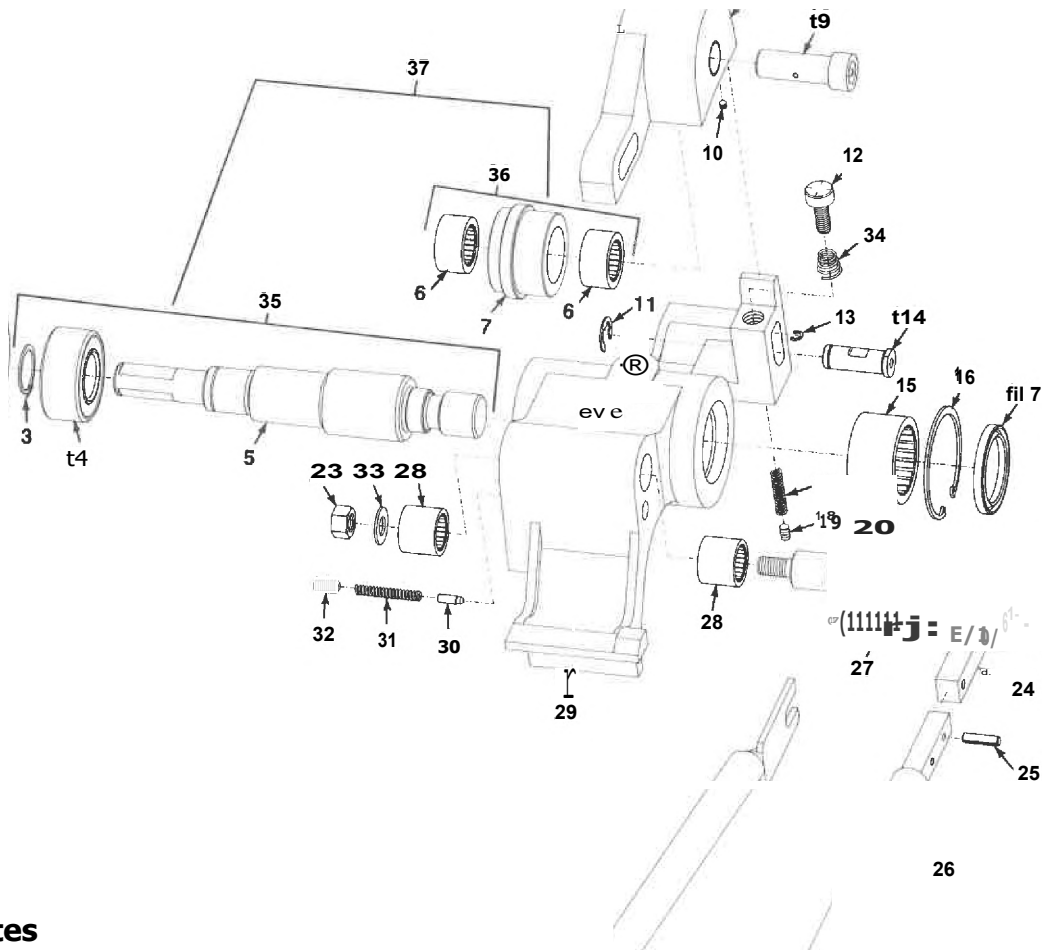
Ref. No.	Catalog No.	Description
1	42365	341 Reamer Complete
	36277	Cone (R.N.)
	46660	E-863 Cone (L.H. & R.H.)
2	47155	F-693 Pin
3	43790	D-387 Pin Reamer Bar
4	43230	C-144 Reamer Arm
5	44700	E-1664 Latch Spring
6	46665	E-865 Reamer Latch
7	47065	F-412 Hinge Pin
8	46585	E-762 Reamer Knob
9	40910	E-1669 Screw 1/4-20 x 3/4

Io. 840 Universal  
Drive Shaft



**NOTE: Order parts by Catalog Number only.  
DO NOT order by Reference Number.**

Ref. Catalog No.	No.	Description
1	44797	Bearing Retainer (2)
2	44792	Nylon Bearing (2)
3	44782	Outer Bell
4	40050	Screw (2)
5	44822	Sliding Shank Assy.
6	40065	Pin
7	44812	Chuck Shank & Shaft Assy.
8	44802	Sleeve Cap
9	44787	Inner Bell



**Service Notes**

Ref. No. †4 Face shield out.

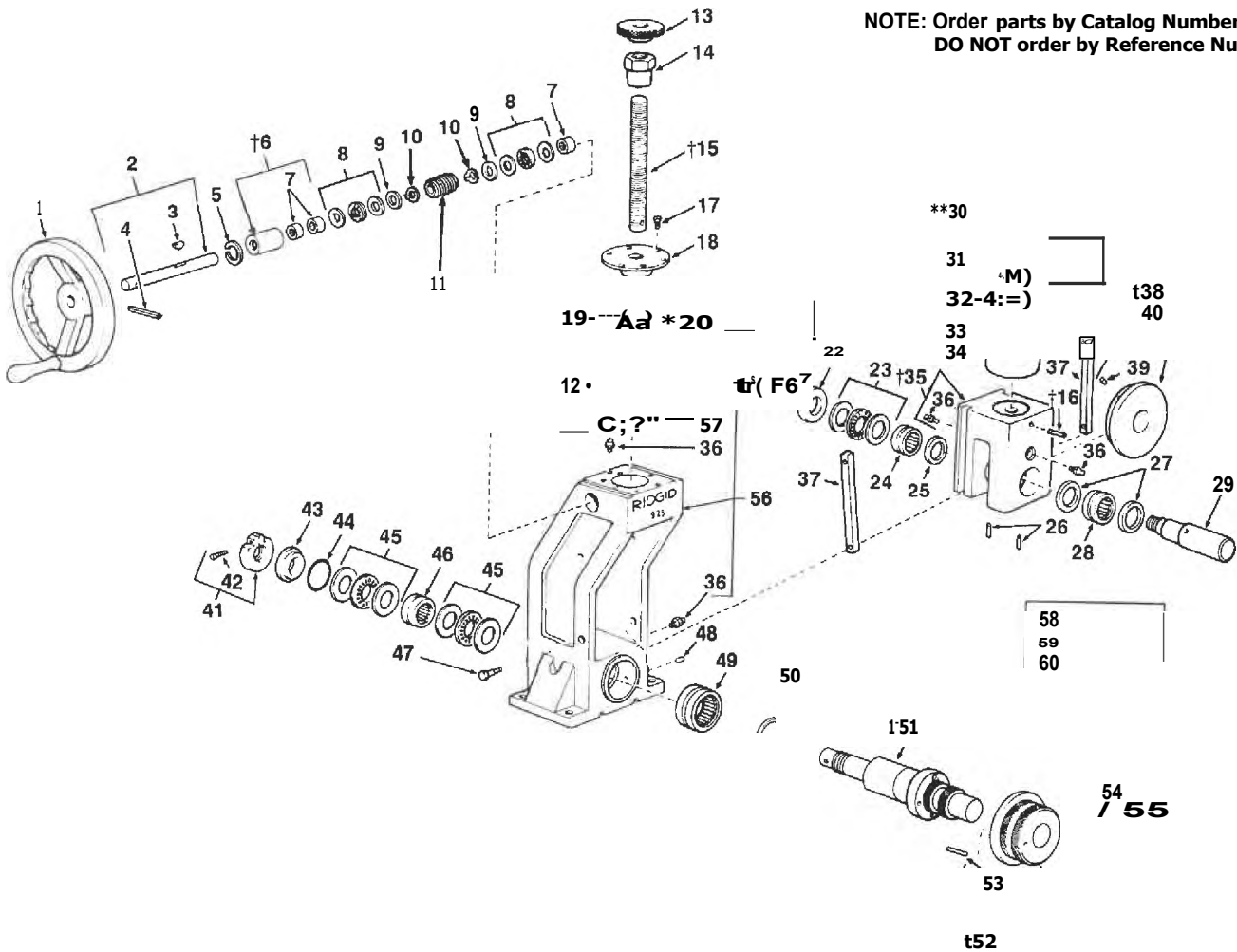
Ref. No. t9 Use as pressing tool to remove bearings, Ref. #6.  
NOTE, "Locating Dimple" on shaft head to line up set screw, Ref. #10.

Ref. No. t14 Remove Ref. #'s 18 & 19 to release Ref. #14.

Ref. No. 117 Face metal side toward bearing, Ref. #15.

Ref. No.	Catalog No.	Description	Ref. No.	Catalog No.	Description
1	45207	Hex Hd Screw 10-32 x 1/2 (4)	20	45117	Drive Link Shaft
2	45202	Retaining Plate	21	45192	Cone Pt Screw 1/4-20 x 1/2
3	45152	Retaining Ring	22	77720	E2854 Washer
†4	45147	Double Roll Ball Bearing	23	78005	Hex Stop Nut 1/2-13 (2)
5	45122	Drive Shaft	24	45212	Drive Link
	45652	Drive Shaft F/Copper Tubing	25	87940	E1207 Roll Pin (2)
	45662	Drive Shaft F/1" Pipe	26	45137	Handle
6	45167	Hd Caged Roller Bearing (2)	27	45182	Drive Pin
7	45127	Grooving Roll	28	45172	Drive Link Bearing (2)
	45657	Grooving Roll F/Copper Tubing	29	45107	Lower Roll Hsg.
	45667	Grooving Roll F/1" Pipe	30	45377	Detent Pin
8	45112	Upper Roll Housuing	31	45382	Detent Spring
t9	45132	Groove Roll Shaft	32	42037	Screw 1/2-13 x 1 1/2
10	45187	Cone Pt Screw 10-24 x 1/4	33	83420	E741 Flat Washer 1/2"
11	42580	E1816 Retaining Ring	34	45402	Spring Adj. Screw
12	45367	Adjusting Screw	35	45397	Drive Shaft Assembly
13	45197	Retaining Ring		45557	Drive Shaft Assembly F/Copper Tubing
t14	45372	Pivot Pin		45572	Drive Shaft Assembly F/1" Pipe
15	45142	Caged Roller Bearing	36	45587	Grooving Roll Assembly w/Bearing
16	45162	Retaining Ring		45562	Grooving Roll Assembly w/Bearing F/Copper Tubing
†17	45157	Front Seal		45577	Grooving Roll Assembly w/Bearing F/1" Pipe
18	45177	Pivot Spring	37	45352	Roll Set F/Copper
19	46800	E902 Set Screw %-16 x %		45347	Roll Set F/1" Pipe

† See Service Notes



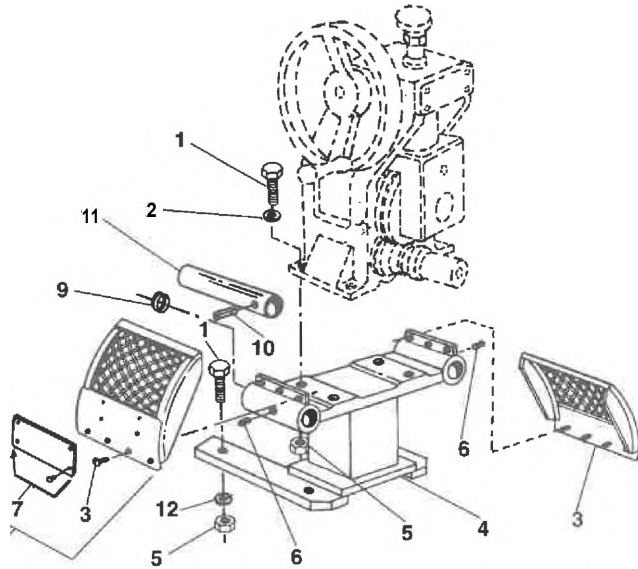
**NOTE: Order parts by Catalog Number only. DO NOT order by Reference Number.**

Ref. Catalog No.	Catalog No.	Description	Ref. Catalog No.	Catalog No.	Description	Ref. Catalog No.	Catalog No.	Description
1	87555	C-662 Handwheel	24	87710	E-6575 Bearing (1)	43	87605	E-6545 Spacer
2	87520	E-6551-X Shaft	25	87695	E-6570 Seal	44	87615	E-6548 "O" Ring
3	44615	E-1512 Key	26	87640	E-6557 Set Screw (2)	45	87510	E-6546-X Bearing Assy. (2)
4	45210	E-30 Roll Pin	27	87690	E-6569 Seal (2)	46	87610	E-6547 Bearing
5	87630	E-6553 Retaining Ring	28	87610	E-6547 Bearing	47	87720	E-6577 Screw (4)
t 6	87525	E-6554-X Spacer	29	87565	D-1198 Upper Roll Shaft	48	87580	E-6540 Set Screw
7	87625	E-6552 Bearing (3)	**30	44837	E-6539 Hex Nut	49	87600	E-6544 Bearing
8	44920	E-2-X Thrust Bearing Assembly (2)	31	87535	E-6566-X Compression Washer Set	50	91000	E-10402 Seal
9	58535	E-492 Washer (2)	32	87680	E-6567 Thrust Washer	t5 <sup>1</sup>	92130	13-2175 Drive Shaft (2" - 6")
10	87635	E-6556 Retaining Ring (2)	33	87570	E-6537 Stop 8" - 12"	t52	90250	C-1311-X Driving Roll (8" - 12")
11	87530	E-6555-X Worm Gear Assy. (Includes Ref. No. 12)	34	87575	E-6538 Stop 2" - 6"	44727		Driving Roll F/Copper (2 1/2" - 6")
12	87665	E-6563 Worm Gear	T35	87480	C-624-X Upper Roll Housing	53	87725	E-6579 Dowel Pin
13	87645	E-6558 Lock Nut	36	46860	E-912 Grease Fitting (2)	44737		Pin F/Copper Roll
14	87650	E-6559 Stop Nut	37	87715	E-6576 Slide Bar (2)	54	44742	Spacer
t15	87490	D-1196-X Feed Screw w/Pin	t38	87495	D-1199-X Grooving Roll (2" - 6")	55	91005	E-10403 Screw
l'16	29067	Pin	44732		Grooving Roll F/Copper (2 1/2" - 6")	56	92125	B-2176-X Lower Housing Assembly
17	87655	E-6560 Screw (6)	39	44747	Set Screw (2)	57	87670	E-6564 Worm Gear Bushing
18	87560	D-1197 Bearing Cap	40	87500	D-1200-X Grooving Roll (8" - 12")	58	46000	E-452 Hex Key 1/3"
19	87510	E-6546-X Bearing	41	87515	E-6550-X Lock Nut	59	46030	E-454 Hex Key VIG
*20	87700	E-6571 Lock Nut	42	83685	E-798 Screw	60	46015	E-453 Hex Key 5/32"
21	87545	E-6574-X Spring Disc Set (5)						
22	87660	E-6562 Thrust Washer						
23	87540	E-6572-X Bearing Assy.						

\*Torque to 100 ft. lbs.  
 \*\*Hand tight plus 1/2 turn by wrench  
 tSee Service Notes

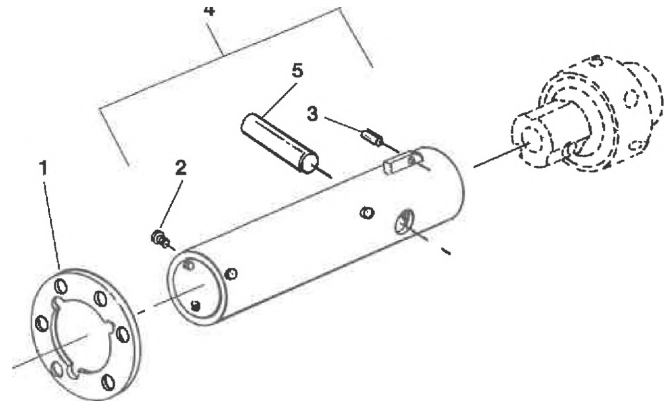
(For 925 Type II Parts — Reference 925 and Kit-I)

**925-1 KIT (Base mounts to No. 1206 Stand and No. 300 Power Drive)**



Ref. No.	Catalog No.	Description
	40872	925-1 Kit
1	80035	E1778 Hex Screws/4-16 x 2 (8)
2	44230	E1096 Washer (4)
3	87730	E2964 Rd Hd Screw 1/4 x 3/8 (6)
4	87470	B399X Base
5	44225	E1690 Hex Nut 3/4-16 (8)
6	46800	E902 Set Screw 3/8-16 x 3/16 (2)
7	87705	E6573 Warning Plate
8	87475	B511X Guard Assembly (2)
9	44725	E1697X Retaining Ring (2)
10	41402	E3298 Roll Pin
11	41392	Drive Bar
12	40930	Lockwasher (4)

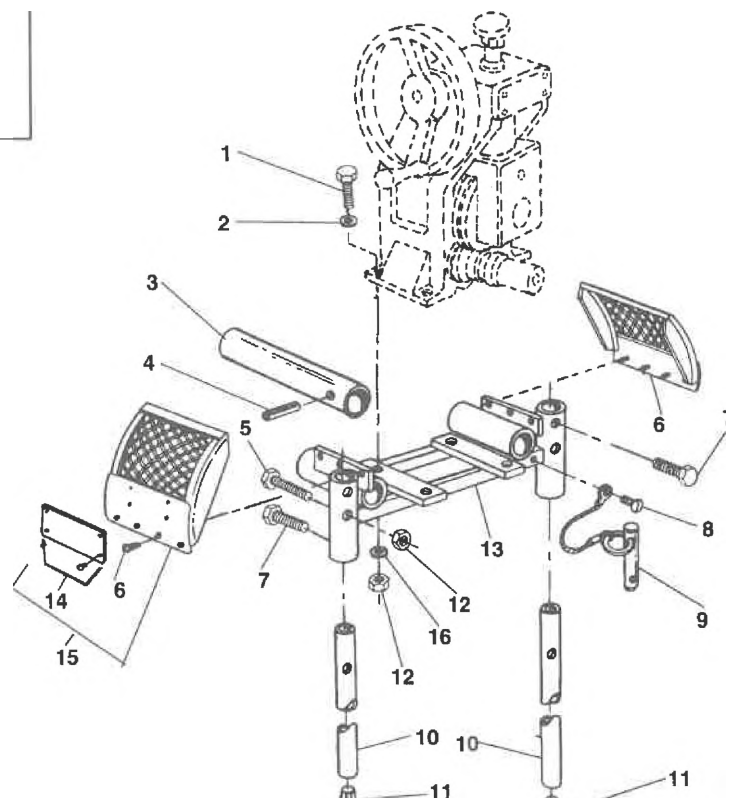
**No. 839 Nipple Chuck Kit**



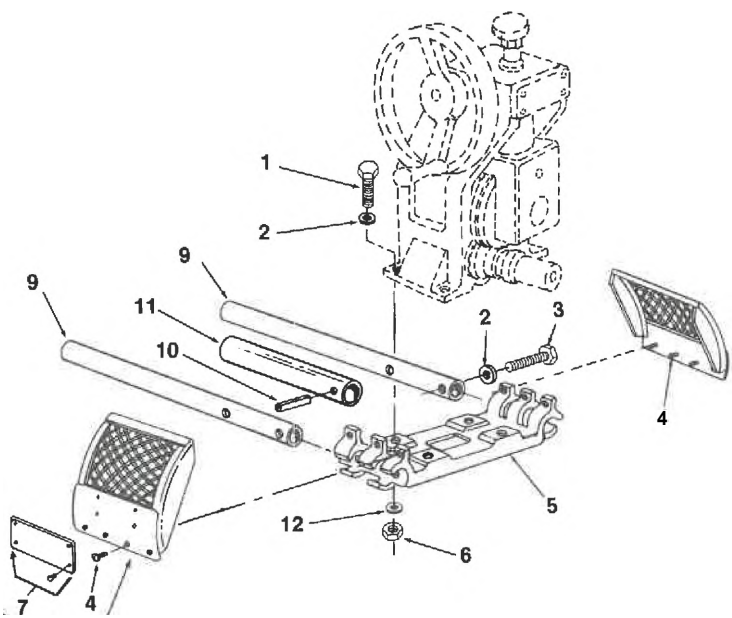
Ref. No.	Catalog No.	Description
	35867	No. 839 Adaptor Kit
1	47497	Pivot Rod Support
2	47040	Drive Screw (6)
3	47502	Roll Pin
4	47507	Tube Assembly
5	47512	Pin, 3/4" x 2 1/4"

**925-2 KIT (Base slides over Carriage Rails of 1822 Threading Machine)**

Ref. No.	Catalog No.	Description
	40937	925-2 Kit
1	80035	E1778 Hex Screw 3/4-16 x 2 (4)
2	44230	E1096 Washer (4)
3	41397	Drive Bar
4	41402	Roll Pin
5	16652	E2851 Hex Bolt 1/2 x 2 1/4 (2)
6	87730	E2964 Rd Hd Screw 1/4 x 3/8 (6)
7	85915	E3113 Hex C Screw 3/4 x 3/4 (4)
8	45615	E4251 F H Screw 10-32 x 1/2
9	41407	Detent Pin w/Cable
10	41412	Support Legs Assembly (2)
11	61470	Rubber Buttons (2)
12	44225	Hex Nut 3/8-16 (6)
13	41422	Mounting Plate
14	87705	Warning Plate
15	87475	B511X Guard Assembly (2)
16	40930	Lockwasher (4)



**925-3 KIT (Base slides into Carriage Rails of No. 300 Power Drive)**

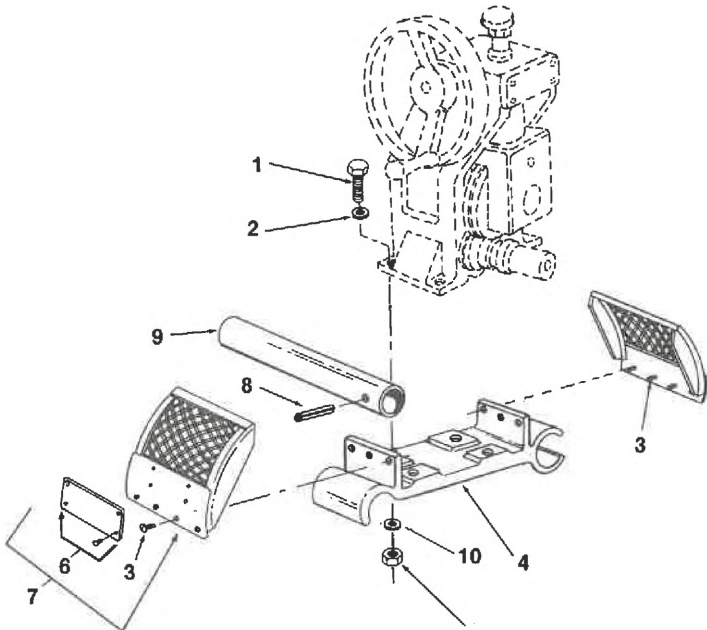


Ref. No.	Catalog No.	Description
	40877	925-3 Kit
1	80035	E1778 Hex Screw 3/8-16 x 2 (4)
2	44230	E1096 Washer (8)
3	45590	E410 Hex Bolt 3/8-16 x 1-1/2 (4)
4	87730	E2964 Rd Hd Screw 1/4 x 3/8 (6)
5	41427	Mounting Carriage
6	44225	E1690 Hex Nut 3/8-16 (4)
7	87705	Warning Plate
8	87475	B511X Guard Assembly (2)
9	41432	Support Tube (2)
10	41402	Roll Pin
11	41392	Drive Bar
12	40930	Lockwasher (4)

**NOTE:** Handwheel of 925 Roll Groover must be located on the control switch side of 300 Power Drive. To relocate drive out handwheel roll pin and reposition handwheel.

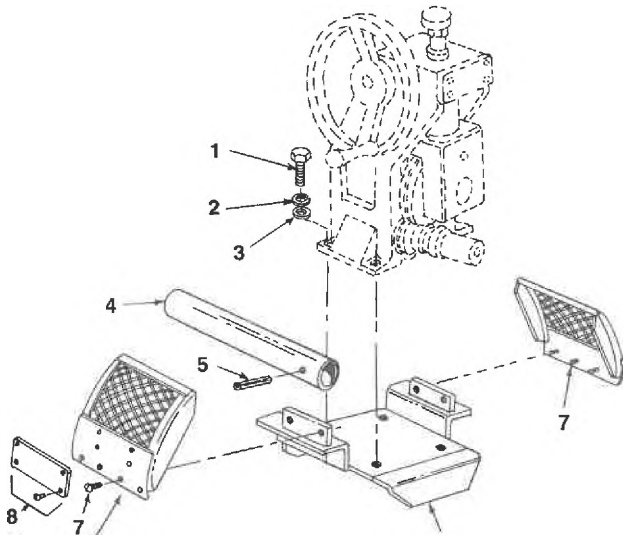
**925-4 KIT (Base locates on Carriage Rails of No. 1224 Threading Machine)**

Ref. No.	Catalog No.	Description
	40882	925-4 Kit
1	80035	E1778 Hex Screw 3/8-16 x 2 (4)
2	44230	E1096 Washer (4)
3	87730	E2964 Rd Hd Screw 1/4 x 3/8 (6)
4	41447	Mounting Plate
5	44225	E1690 Hex Nut (4)
6	87705	Warning Plate
7	87475	8511X Guard Assembly (2)
8	41402	Roll Pin
9	41397	Drive Bar
10	40930	Lockwasher (4)



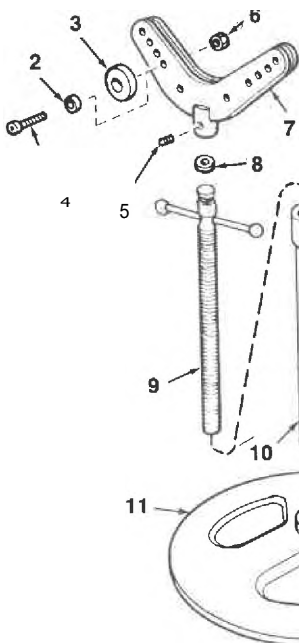


**925-5 Kit (Base locates on Carriage of 535 Threading Machine)**



Ref. Catalog		
No.	No.	Description
	44412	925-5 Kit
1	75350	E-396 Hex Hd Bolt $\frac{5}{8}$ x $1\frac{1}{4}$ (4)
2	40930	E-1095 Lockwasher $\frac{5}{8}$ (4)
3	44230	E-1096 Flatwasher $\frac{5}{8}$ (4)
4	41397	Drive Bar
5	41402	Roll Pin
	44722	Mounting Base
7	87730	E-2964 Rd Hd Screw $\frac{1}{4}$ x $\frac{3}{4}$ (4)
8	87705	Warning Plate
9	87475	B-511X Guard Assembly (2)

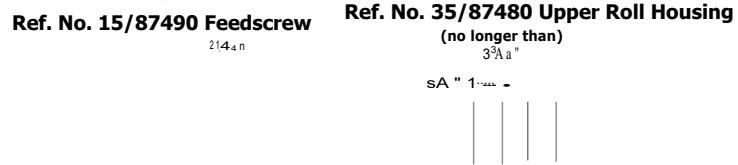
**No. 965 Stand  
(Adjustable from 26" to 40")**



Ref. Catalog		
No.	No.	Description
1	89020	Screw (4)
2	87840	Spacer (4)
3	87835	Roller (4)
4	40350	Jam Nut
5	35045	Set Screw
6	83890	Nut (4)
7	89005	Roller Bracket
8	58535	Washer
9	89010	Screw
10	89015	Lower Post
11	89075	Base

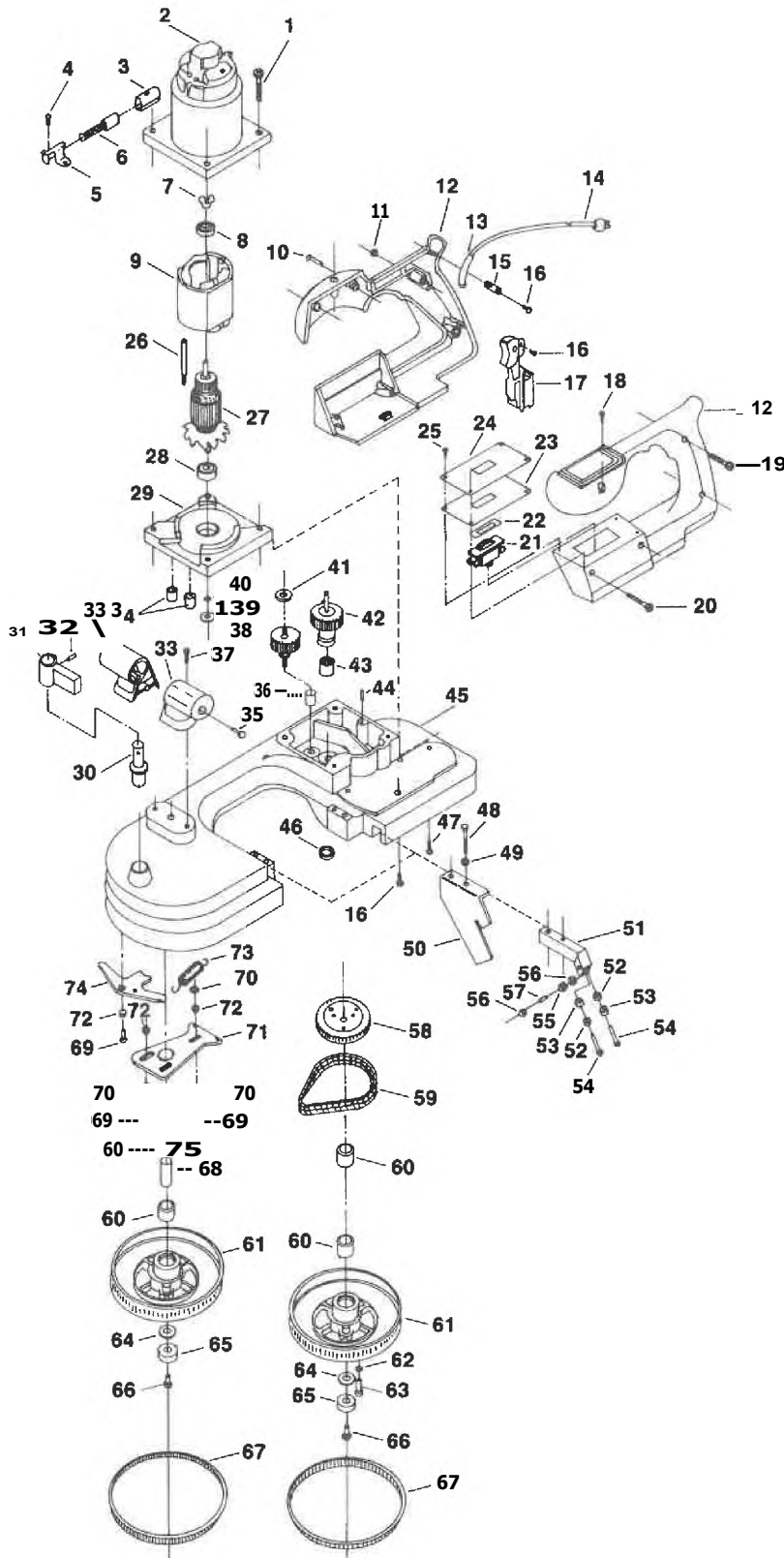
**SERVICE NOTES:**

- Ref. No. 6 Install flat edge of Spacer towards Retaining Ring, Ref. No. 5.
- Ref. No. 15 When replacing early style Feedscrew, use Cat. #87490 (incl. Pin #29067) and redrill Upper Roll Housing.
- Ref. No. 16 When replacing early style Pin, use Cat. #29067 and redrill Feedscrew and Upper Roll Housing.
- Ref. No. 35 When replacing early style Upper Roll Housing, use Cat. #87480 and redrill Feedscrew. **Note:** New Pin #29067 required.



- Ref. No. 38/52 When installing Rolls for Copper Grooving, Spacer, Cat. #44742, required.
- Ref. No. 51 The Drive Shaft, Cat. #92130, can be used in a 925 Type I Roll Groover. The only change that needs to be made is the 8" - 12" Drive Roll, Type I. Knock one of the two Dowel Pins pressed into the 8" - 12" Drive Roll and discard the two screws. Order one each 44742 Spacer and 91005 Screw.

**Note:** Before installing new Drive Shaft, inspect Thrust Bearing for wear or damage in Lower Housing Assembly.

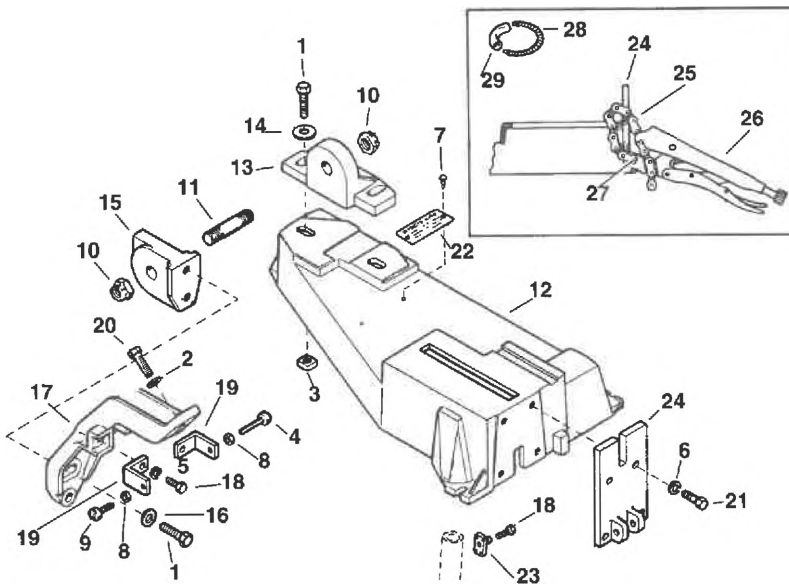


**NOTE: Order parts by Catalog Number only.  
DO NOT order by Reference Number.**

Ref. No.	Catalog No.	Description
1	74420	Housing Screw
2	42137	Motor Housing
3	18437	Brush Holder
4	42142	Screw
5	18432	Brush Retainer
6	18427	Set of 2 Brushes
7	42147	Load Washer
8	18167	Armature Bearing
9	42152	Field 115V (932 Only)
	42157	Field 220V (932 Only)
	46912	Field 115V (932-VS only)
10	42162	Screw
11	78660	Nut
12	42167	Handle Set (932 Only)
	46947	Handle Set (932-VS Only)
13	18207	Strain Relief (932 Only)
	78675	Strain Relief (932-VS Only)
14	42172	Cord (932 Only)
	46922	Cord (932-VS Only)
15	78680	Cord Clamp
16	78690	Switch Mount Screw
17	78530	Switch (932 Only)
	46917	Switch (932-VS Only)
18	42177	Screw
19	74375	Handle Upper Screw
20	42182	Screw
21	42187	Switch (932 Only)
	47022	Speed Control (932-VS Only)
22	42192	Insulator (932 Only)
23	42197	Insulator (932-VS Only)
24	42202	Decorator Plate (932 Only)
25	74210	Screw (932 Only)
26	42207	Screw
27	42212	Armature 115V
	42217	Armature 230V
28	42222	Bearing
29	42227	Intermediate Plate
30	42232	Tension Shaft
31	74170	Tension Knob
32	74175	Pin
33	42237	Knob Set
34	42242	Bearing
35	42247	Screw
36	42252	Bearing
37	78615	Yoke Screw
38	42257	Intermediate Gear
39	42267	Slinger
40	18242	"0" Ring
41	18217	Washer
42	42267	Gear & Sprocket Assembly
43	42272	Needle Bearing
44	42277	Pin
45	42282	Pulley Housing Assy (932 Only)
	46932	Pulley Housing (932-VS Only)
46	42287	Seal
47	42292	Screw
48	42297	Screw
49	46957	Lock Washer
50	87415	Guide Stop
51	87430	Blade Guide (932-VS)
	46937	Blade Guide Holder (932-VS Only)
	46942	Blade Guide Hardware Package (Includes Ref. Nos. 48, 49, 53-57)
52	74040	Outer Bearing
53	78510	Guide Roller
54	78695	Screw
55	74055	Guide Bearing
56	87425	Washer
57	87420	Pin
58	74080	Driven Sprocket
59	74085	Chain
60	74035	Pulley Bearing
61	42302	Pulley
62	78490	Lock Washer
63	42307	Screw
64	74295	Pulley Washer
65	74245	Pulley Washer
66	64250	Pulley Screw
67	74165	Tire
68	78550	Front Pulley
69	78615	Yoke Screw
70	78635	Washer
71	78630	Extension Spring
72	78610	Bushing
73	78630	Tension Spring
	46952	Tension Spring (932-VS Only)
74	78605	Yoke
75	74215	Shaft Washer
76	46927	Ground Screw (Not Shown)

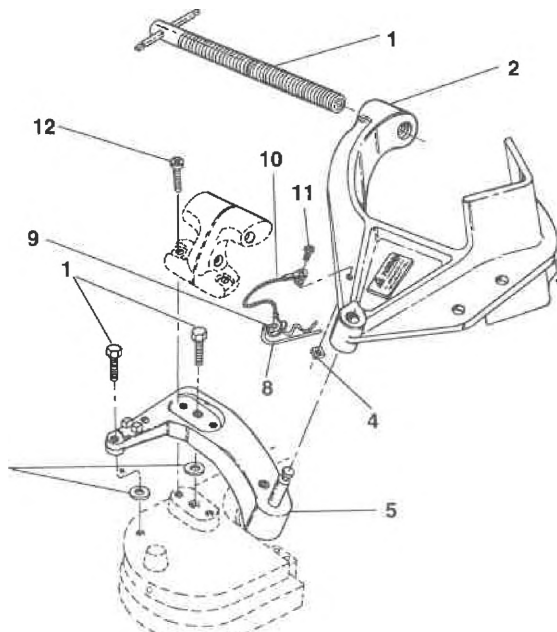
**No. 940 Stand**  
**For 941, 942, and 943**  
**Model Band Saws**

**NOTE: Order parts by Catalog Number only.**  
**DO NOT order by Reference Number.**



Ref. No.	Catalog No.	Description
1	45590	E-410 Hex Head Bolt (4)
2	40930	E-1095 Lock Washer
3	—	E-1509 Square Nut (2)
4	44730	E-1699 Socket Set Screw
5	44740	E-1718 Lock Washer (2)
6	40770	E-1719 Lock Washer (4)
7	78500	E-5485 Screw (2)
8	81830	E-5516 Nut (2)
9	81835	E-5517 Screw
10	74495	E-5518 Nut (2)
11	74500	E-5519 Pivot Shaft
12	74505	E-5520 Base
13	74510	E-5521 Hinge Bracket
14	81840	E-5522 Washer (2)
15	74515	E-5523 Hinge
16	74520	E-5524 Washer (2)
17	74525	E-5525 Saw Arm
18	74530	E-5528 Screw (5)
19	74535	E-5529 Bracket (2)
20	74540	E-5530 Screw
21	74545	E-5531 Screw (4)
22	74550	E-5532 Specification Plate
23	74555	E-5535 Pipe Leg Nut (3)
24	74560	E-5536 Stationary Jaw
25	74565	E-5537 Chain
26	74570	E-5538 Vise Grip Clamp
27	74575	E-5539 Chain Anchor
28	74580	E-5540 Trigger Latch Spring
29	74585	E-5541 <b>Trigger Latch</b>

**No. 32 Vise**  
**For 932-VS Band Saw**



Ref. No.	Catalog No.	Description
1	46972	Clamp Screw Assy.
2	46962	Frame
3	47002	Index Pin
4	46997	Nut
5	46967	Bracket & Pivot Pin
6	47007	Alignment Shim
7	47012	Mounting Bolt (2)
8	46977	Safety Clip
9	46982	Retainer (Rubber)
10	46987	Cable Assembly
11	46992	Screw w/Lockwasher
12	47017	Screw, Front Handle (2)

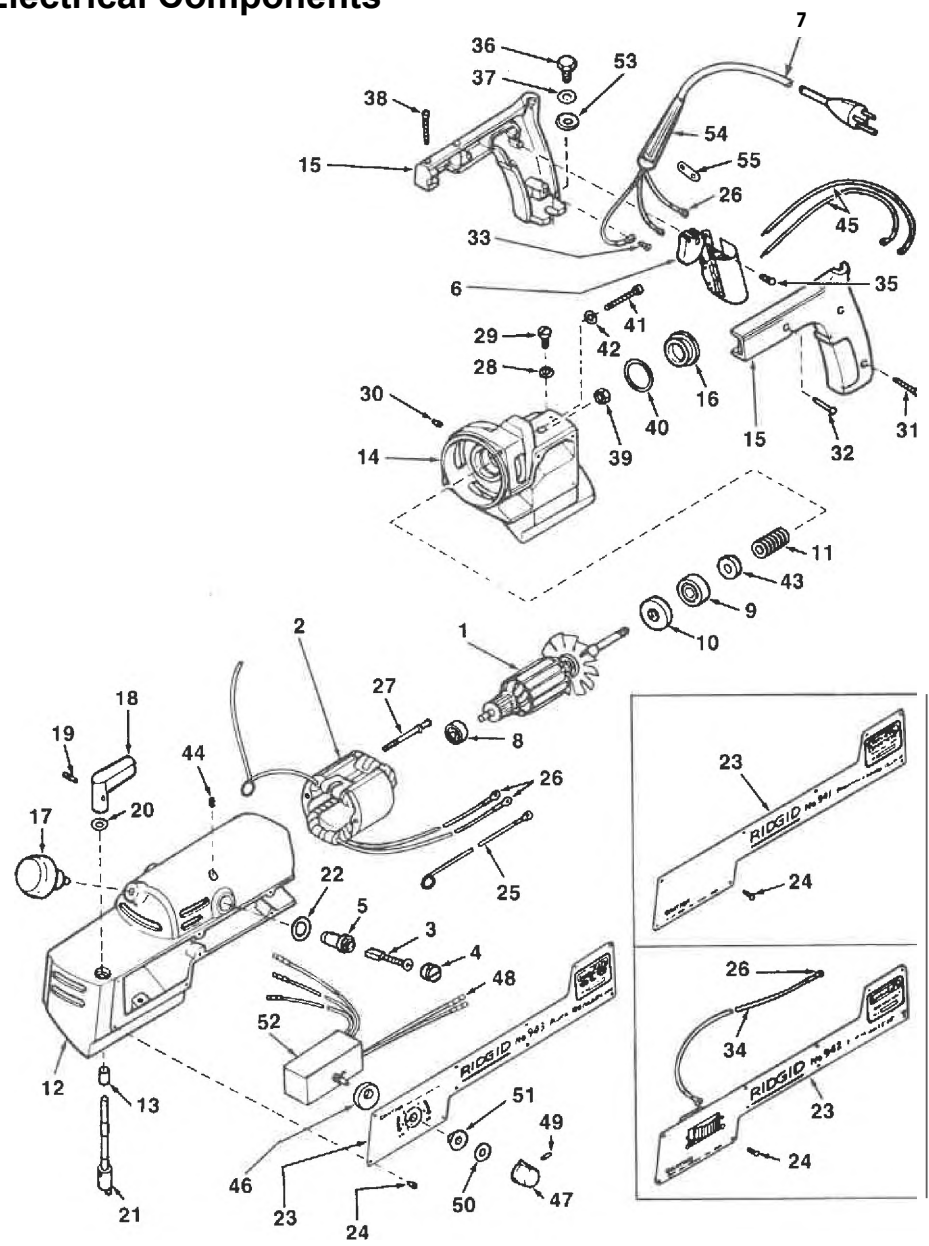
**941**  
**942**  
**943**  
**944**

**RIDGID Portable Band Saws**

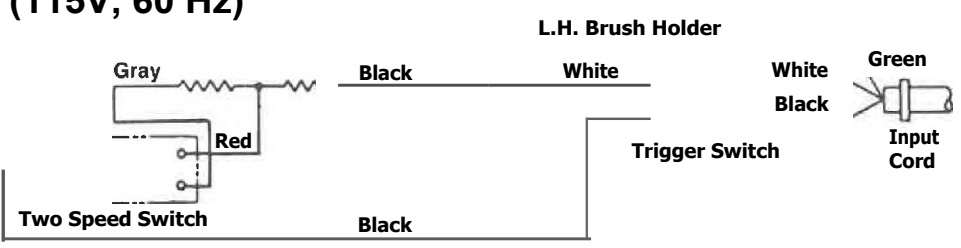
**NOTE: Order parts by Catalog Number only. DO NOT order by Reference Number.**

**Nos. 941, 942, 943 & 944 Portable Band Saws Electrical Components**

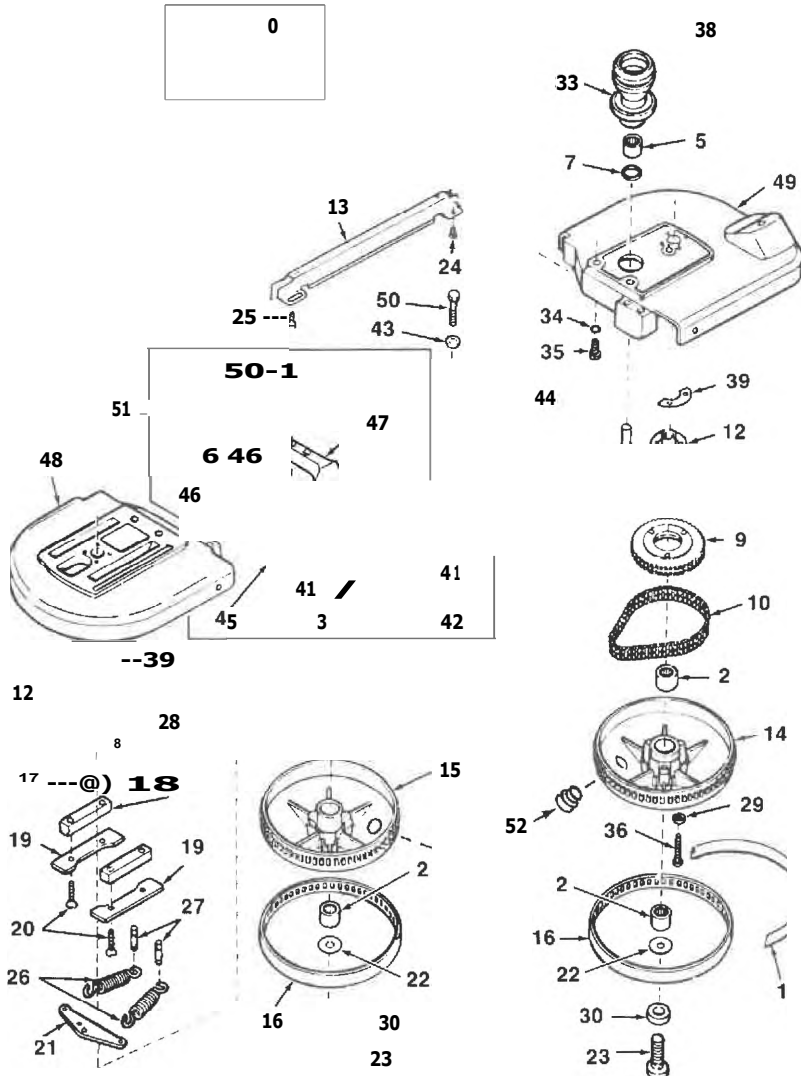
Ref. No.	Catalog No.	Description
1	73980	115V Armature 941,2,3 (T1,12) 944 (T1)
	99145	115V Armature 941,2,3 (T3) 944 (T2)
2	73985	115V Field (941)
	73990	115V Field (942 & 944)
	73995	115V Field (943)
3	74000	Brush (2)
4	74005	Brush Cap (2)
5	74010	Brush Holder (2)
6	74015	Switch
	78530	Switch (944)
7	74020	115V Cord (941,2,3 w/Alum Handle)
	78535	115V Cord (941,2,3,4 w/Plastic Handle)
8	74025	Commutator End Bearing
9	74030	Fan End Bearing
10	74060	Armature Seal 941,2,3 (T1,T2) 944 (T1)
	99125	Armature Seal 941,2,3 (T3) 944 (T2)
11	74070	Worm 941,2,3 (T1,T2), 944 (T1)
	99150	Worm 941,2,3 (T3), 944 (T2)
12	74100	Front Housing Assy.
13	74105	Bushing (941,2,3) (2)
14	74110	Rear Housing 941,2,3 (T1,12) 944 (T1)
	99110	Rear Housing 941,2,3 (T3) 944 (T2)
15	78565	Handle Set
16	74155	Plug
17	74160	Knob
18	74170	Tension Knob
19	74175	Pin
20	74180	Washer
21	74185	Tension Shaft (941,2,3)
22	74190	Washer (2)
23	74195	Specification Plate (941)
	74200	Specification Plate w/Switch (942)
	74205	Specification Plate (943)
	78600	Specification Plate w/Switch (944)
24	74210	Screw (10)
25	74305	Switch Lead (941 & 942)
	78645	Brush Switch Lead (944)
26	74310	Terminal (8) (942)
	78650	Terminal
27	78655	Screw (2)
28	74340	Lock Washer
29	74345	Screw
30	74365	Screw
31	74370	Screw (2)
32	74375	Screw
33	74380	Screw
34	78685	Screw (944)
35	74385	Selector Lead (942 & 944)
36	74390	Screw
37	74395	Screw
38	74400	Washer
39	74405	Screw (2) 941,2,3 (T1,T2), 944 (T1)
	99115	Scw (2) 941,2,3 (T3), 944 (T2)
40	74410	Nut
41	74415	Washer
42	74420	Screw (2)
43	74425	Lock Washer (2)
44	74430	Slinger
45	74435	Screw (2)
46	74445	Control Switch Lead (943) (2)
47	74455	Control Retainer (943)
48	74460	Knob (943)
49	74465	Connector (943) (5)
50	74470	Screw (943)
51	74475	Washer (943)
52	74480	Bushing (943)
53	74485	Motor Control (943)
	74490	Lock Washer
	78700	Washer (944)
54	78675	Reliever (944)
55	78680	Cord Clamp (944)



**No. 942 and 944 Saws (115V, 60 Hz)**



**Nos. 941, 942 & 943  
Portable Band Saws  
Drive Components**

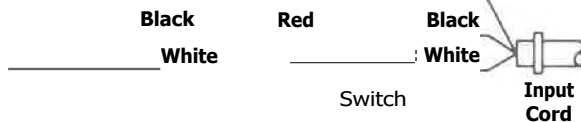


**NOTE: Order parts by Catalog Number only.  
DO NOT order by Reference Number.**

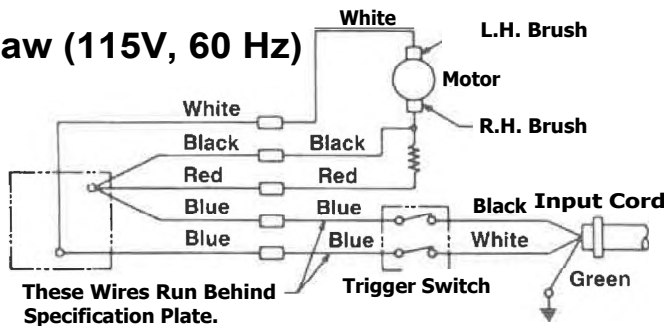
Ref. Catalog No.	No.	Description
1	53965	Blade (14 TPI)
2	74035	Pulley Bearing (4)
3	74040	Guide Outer Bearing (2)
4	74045	Upper Bearing
5	74050	Lower Bearing
6	74055	Guide Bearing (2)
7	74065	Seal
8	74075	Worm Gear 941,2,3 (71,72), 944 (T1)
9	99140	Worm Gear 941,2,3 (73)
9	74080	Driven Sprocket
10	74085	Chain
11	74090	Jackshaft 941,2,3 (T1,T2), 944 (T1)
12	99130	Jackshaft 941,2,3 (73)
12	74095	Pulley Shaft (2)
13	74140	Blade Guard
14	74145	Drive Pulley
15	74150	Driven Pulley
16	74165	Pulley Tire (2)
17	74215	Washer (2)
18	74220	Key (2)
19	74225	Housing Plate (2)
20	74230	Screw (4)
21	74235	Yoke
22	74245	Washer (2)
23	74250	Screw (2)
24	74255	Screw
25	74260	Screw
26	74265	Extension Spring (2)
27	74270	Spring Stud (2)
28	74275	Self Tapping Screw
29	78490	Lock Washer (7)
30	74295	Washer (2)
31	74320	Nut 941,2,3 (T1,T2), 944 (T1)
	99135	Retaining Ring 941,2,3 (T3)
	944 (T2)	
32	74325	Lock Ring
33	74330	Jackshaft Carrier
34	74340	Lock Washer (2)
35	74345	Screw (2)
36	74350	Screw (3)
37	74355	Key
38	74360	"O"Ring
39	74450	Shim
40	78710	Tube Gear Lubricant
41	78510	Guide Roller (2)
42	78695	Screw (2)
43	87410	Lock Washer (4)
44	87415	Guide Stop
45	87420	Pin (2)
46	87425	Washer (4)
47	87430	Blade Guide (2)
48	87435	Front Pulley Housing T-2
	87435	Front Pulley Housing T-1
49	87440	Rear Pulley Housing (T2)
	74120	Rear Pulley Housing (T1)
50	87445	Screw (4)
51	87450	Blade Guide Assy. (2)
52	99155	Caplug 941,2,3 (73)
53	99120	Spacer 941,2,3 (T3)
	78705	E-5594 Chain Lube

**No. 941 Saw (115V, 60 Hz)**

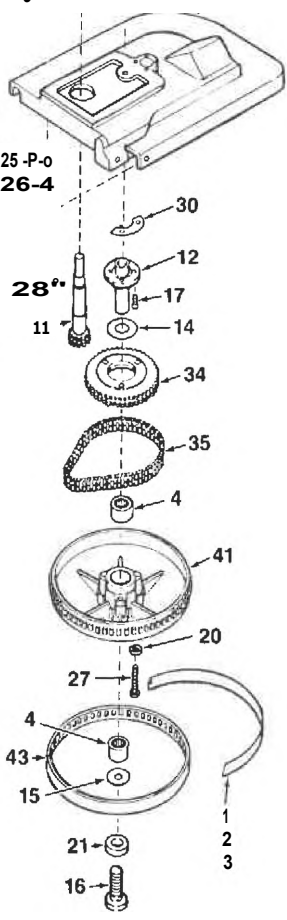
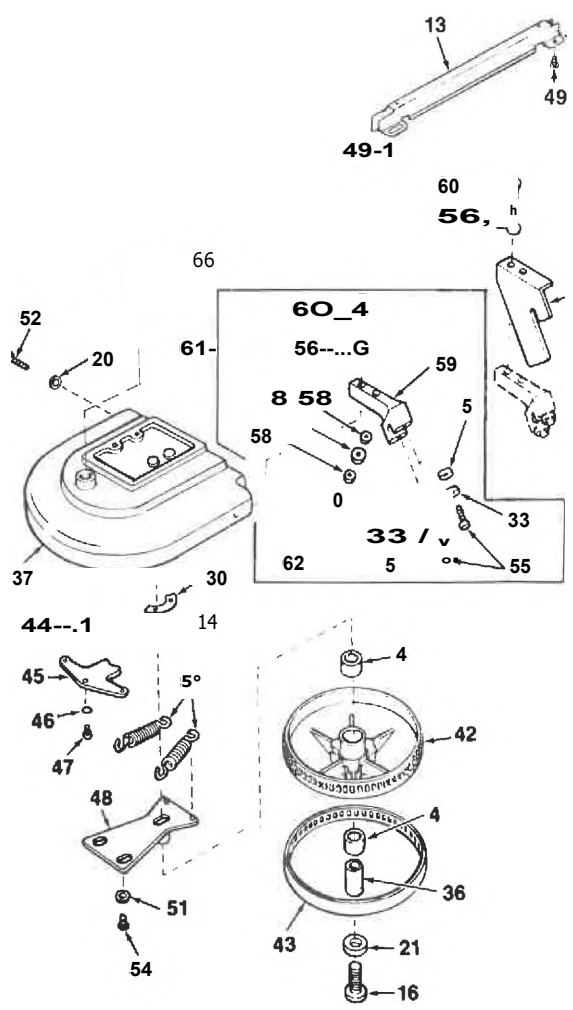
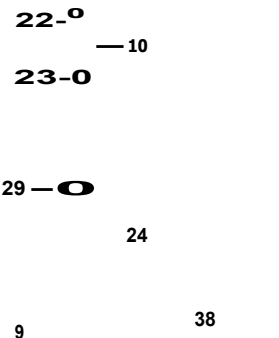
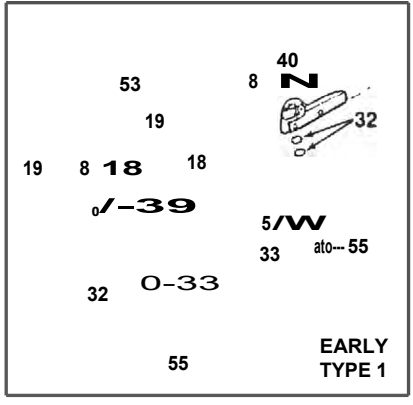
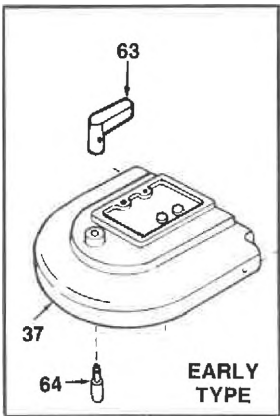
L.H. Brush Holder



**No. 943 Saw (115V, 60 Hz)**



**No. 944 Portable Band Saw  
Drive Components**

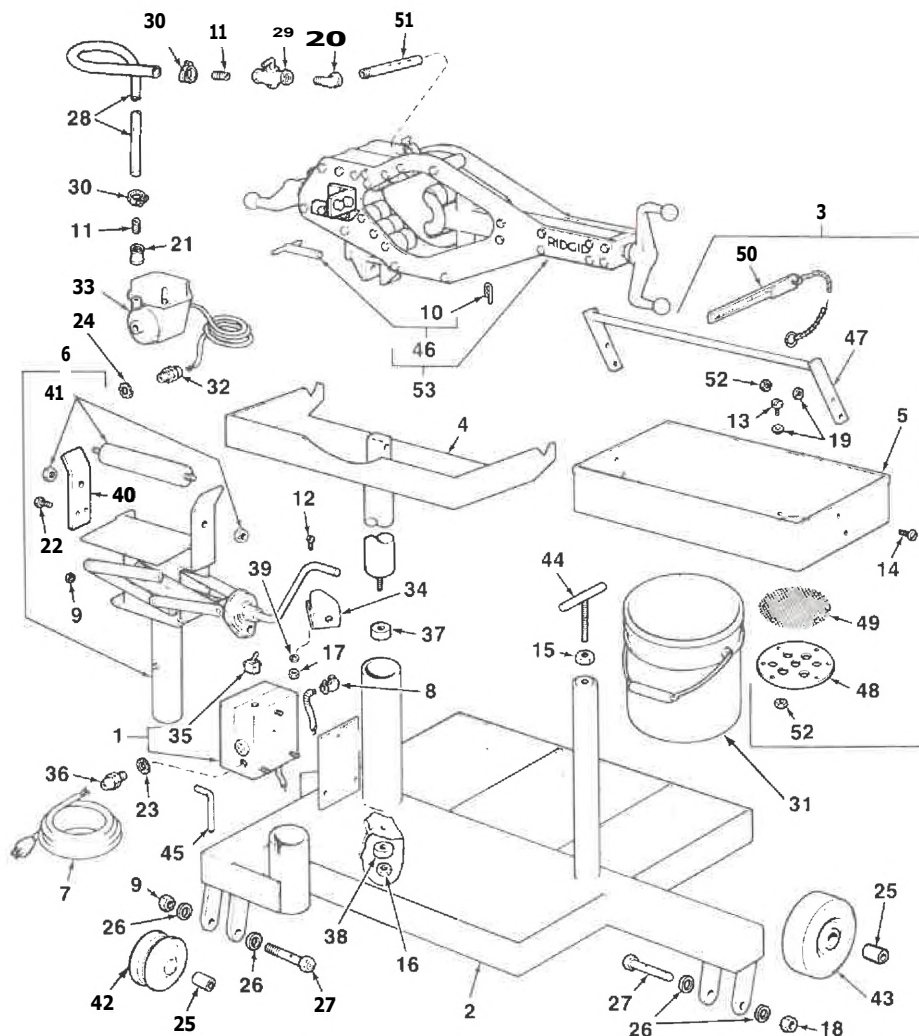


Ref. No.	Catalog No.	Description
1	81855	Blade (10 TPI)
2	81860	Blade (14 TPI)
3	81865	Blade (18 TPI)
4	74035	Pulley Bearing (4)
5	74040	Guide Outer Bearing (2)
6	74045	Upper Bearing
7	74050	Lower Bearing
8	74055	Guide Bearing (2)
9	74065	Seal
10	74075	Worm Gear 944 (T1)
	99140	Worm Gear 944 (T2)
11	74090	Jackshaft 944 (T1)
	99130	Jackshaft 944 (T2)
12	74095	Pulley Shaft (2)
13	74140	Blade Guard
14	74215	Washer (2)
15	74245	Washer (2)
16	74250	Screw (2)
17	74275	Screw (4)
18	74280	Washer (2)
19	74285	Screw (2)
20	78490	Lock Washer (7)
21	74295	Washer (2)
22	74320	Gear Nut 944 (T1)
	99135	Retaining Ring 944 (T2)
23	74325	Lock Ring
24	74330	Jackshaft Carrier
25	74340	Lock Washer (3)
26	74345	Screw (3)
27	74350	Screw (3)
28	74355	Key
29	74360	"O" Ring
30	74450	Shim
31	78710	Tube Gear Lubricant
32	78505	Washer (4)
33	78510	Guide Roller (2)
34	78540	Driven Sprocket
35	78545	Chain
36	78550	Front Pulley Shaft
37	78555	Front Pulley Hsg. 944 (T1)
	99160	Front Pulley Hsg. 944 (T2)
38	78560	Rear Pulley Hsg. 944 (T1)
	99165	Rear Pulley Hsg. 944 (T2)
39	78570	Front Guide
40	78575	Rear Guide
41	78580	Drive Pulley
42	78585	Driven Pulley
43	78590	Pulley Tire (2)
44	96290	Bushing (T2)
45	78605	Yoke
46	78610	Bushing (4)
47	78615	Screw (3)
48	78620	Yoke Plate
49	78625	Screw (2)
50	78630	Extension Spring (2)
51	78635	Washer (6)
52	78640	Screw
53	78665	Guide Stop
54	78670	Screw
55	78695	Screw (2)
56	87410	Lock Washer (4)
57	87415	Guide Stop
58	87425	Washer (4)
59	87430	Blade Guide (2)
60	87445	Screw (4)
61	87450	Blade Guide Assy. (2)
62	87420	Pin (2)
63	74170	Tension Knob (T1)
64	78595	Tension Shaft
65	99120	Spacer 944 (T2)
	78705	Chain Lube
66	96285	Tension Lever (T2)

NOTE: Order parts by Catalog Number only.  
DO NOT order by Reference Number.

**Machine Head Carriage and Oil Pump**

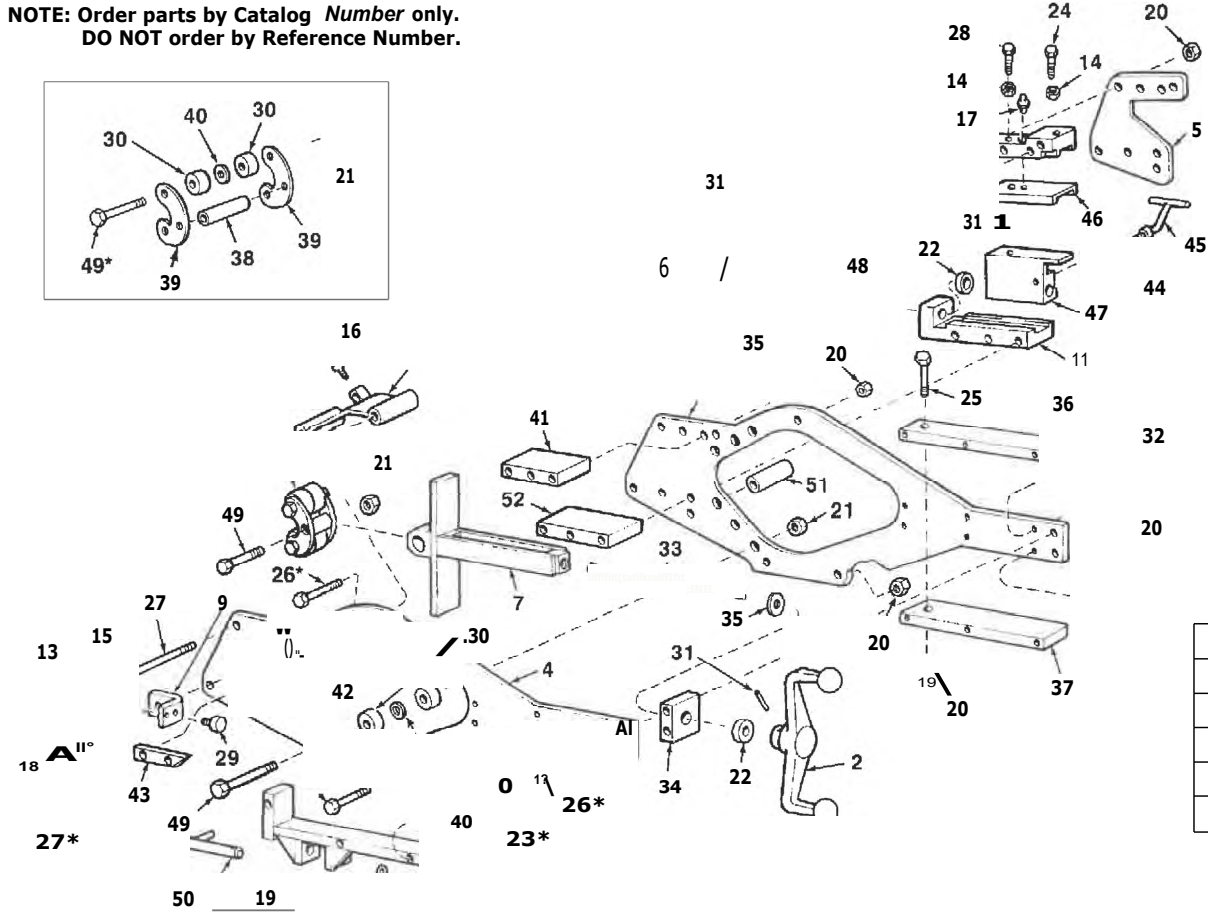
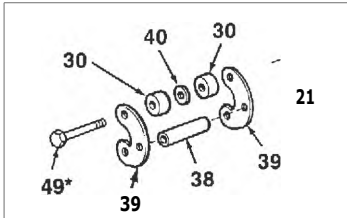
**NOTE: Order parts by Catalog Number only. DO NOT order by Reference Number.**



Ref. No.	Catalog No.	Description	Ref. No.	Catalog No.	Description
1	80385	B-219 Switch Box Assembly	28	80100	E-1817 Hose
2	79845	B-497 Machine Head Carriage	29	80105	E-1978 Valve
3	79850	B-500 Chip Tray Assembly	30	80110	E-1979 Hose Clamp (2)
4	79860	C-681 Machine Head Base	31	80115	E-1980 Pail
5	79895	C-688 Chip Tray	32	80120	E-1998 Cord Connector
6	79930	D-1278 Front Roller Support	33	80125	E-2006 Oil Pump (115V)
7	46740	E-890-2 Service Cord with Plug		79775	Oil Pump (230V)
8	46905	E-923-1 45 Degree Connector	34	80130	E-2007 Foot Switch
9	44225	E-1094 Hex Nut (2)	35	80380	E-2010 Switch
10	79955	E-1639 Cotter Pin	36	80135	E-2011 Cord Connector
11	79960	E-1661 Nipple (2)	37	78010	E-2773 Spacer
12	79965	E-1667 Screw (2)	38	78015	E-2849 Spacer
13	79970	E-1668 Screw (6)	39	45175	E-2921 Lock Washer (2)
14	79975	E-1674 Screw (4)	40	80160	E-4033 Roller Bracket
15	79980	E-1675 Hex Nut	41	80165	E-4034 Roller Assembly
16	78005	E-1691 Nut	42	78020	E-4055 V-Grooved Wheel (2)
17	79995	E-1693 Hex Nut (2)	43	80170	E-4056 Wheel
18	80000	E-1694 Nut (3)	44	80175	E-4067 Machine Head Rest
19	44740	E-1718 Lock Washer (10)	45	86150	E-4071 Caster Lock (2)
20	80015	E-1771 Elbow	46	80270	E-4157 Clevis Pin Assembly
21	80020	E-1772 Reducer	47	80285	E-4163 Handle
22	80030	E-1777 Hex Head Bolt (2)	48	80290	E-4166 Oil Screen Retainer
23	80060	E-1783 Lock Nut	49	80325	E-4167 Chip Screen
24	80065	E-1786 Lock Nut	50	80330	E-4168 Cutoff Gauge
25		E-1796 Wheel Bushing (3)	51	80335	E-4169 Spout
26	80070	E-1799 Washer (6)	52	80370	E-6273 Hex Nut (10)
27	80075	E-1800 Axle (3)	53	73250	No. 951 2 1/2 "8" Machine Head

**Model No. 951 Machine Head (2 1/2 "-8") for 950 Machine**

**NOTE: Order parts by Catalog Number only.  
DO NOT order by Reference Number.**



*Torque Table	
Ref. No.	In.-Lbs.
23	315
26	130
27	550
49	280

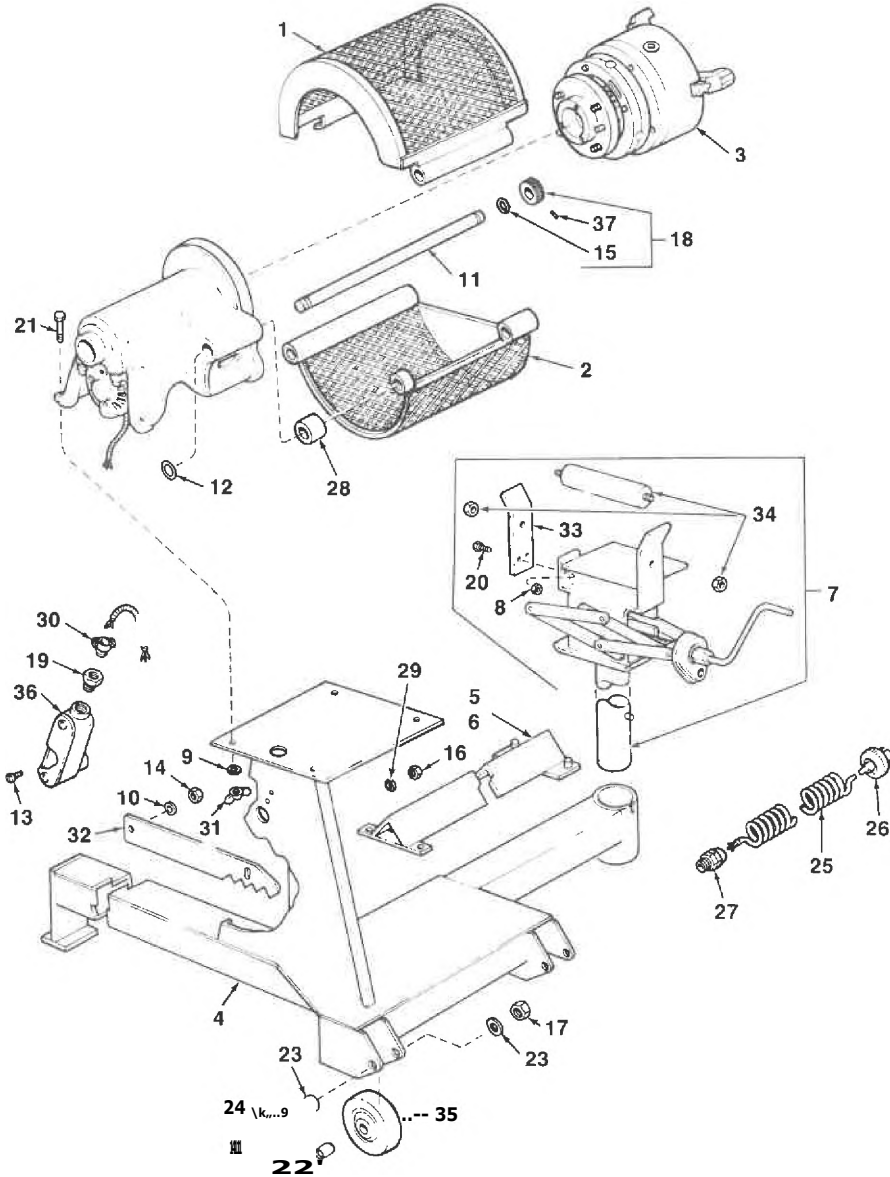
Ref. No.	Catalog No.	Description	Ref. No.	Catalog No.	Description
1	73250	951 Machine Head	27*	80050	E-1781 Hex Head Bolt (8)
2	79865	C-682 Pivot Support	28	80055	E-1782 Hex Head Bolt
3	79875	C-684 Left Hand Head Frame	29	80080	E-1805 Cam Follower (2)
4	79880	C-685 Right Hand Head Frame	30	80095	E-1809 Roll (16)
5	79885	C-686 End Plate	31	74965	E-2410 Pin (3)
6	79890	C-687 Feed Screw Handle	32	75110	E-3854 Nut (6)
7	79905	D-1270 Clamp Roll Frame	33	80195	E-4073 Clamp Roll Screw
8	79910	D-1271 Stabilizer Spacer	34	80200	E-4074 Bearing Block
9	79915	D-1273 Tracking Band Bracket	35	80205	E-4076 Thrust Washer (2)
10	79920	D-1274 Pressure Block	36	80210	E-4077 Upper Roll Guide
11	79925	0-1276 Tool Block Slide	37	80215	E-4078 Lower Roll Guide
12	83420	E-741 Washer	38	80375	E-4084 Journal
13	46820	E-905 Hex Nut (2)	39	80365	E-4085 Equalizer Bracket (2)
14	44225	E-1094 Hex Nut (2)	40	80220	E-4086 Roller Spacer (8)
15	44230	E-1096 Washer (2)	41	80225	E-4089 Upper Frame Spacer
16	79935	E-1560 Thumb Screw	42	80230	E-4093 Roller Bracket Nut
17	79940	E-1579 Grease Fitting	43	80235	E-4094 Roller Bracket Guide
18	79950	E-1595 Screw	44	80240	E-4095 Tool Holder Keeper
19	79955	E-1639 Cotter Pin	45	80245	E-4096 Tool Holder Screw
20	79985	E-1690 Nut (14)	46	80250	E-4099 Guide Block
21	78005	E-1691 Nut (9)	47	80255	E-4152 Tool Holder
22	80005	E-1747 Collar (2)	48	80260	E-4154 Feed Screw
23*	80010	E-1748 Screw (6)	49*	80265	E-4156 Bolt (9)
24	80035	E-1778 Hex Head Bolt	50	80270	E-4157 Clevis Pin Assembly
25	80040	E-1779 Bolt	51	80275	E-4160 Frame Spacer
26*	80045	E-1780 Hex Head Bolt (5)	52	80280	E-4161 Lower Frame Spacer

Specify Machine Model and Serial Number when ordering parts.



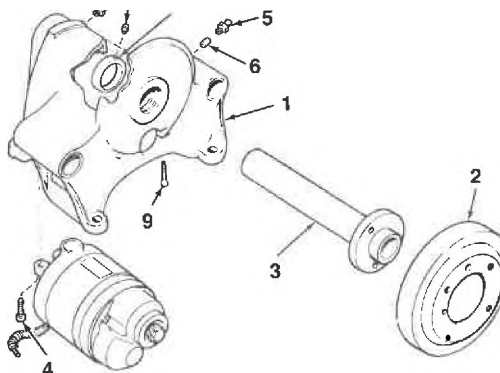
**Power Head Stand and Chuck Assembly**

**NOTE: Order by Catalog Number only. DO NOT order by Reference Number.**



Ref. No.	Catalog No.	Description
1	78025	B-214 Top Guard
2	78030	B-215 Bottom Guard
3	80390	B-223-X Chuck Assembly
4	79835	B-492 950 Power Head Stand
5	73265	D-602 Track (5 ft.)
6	73270	D-603 Track (10 ft.) (2)
7	79900	0-1259 Rear Roller Support
8	44225	E-1094 Hex Nut (2)
9	40930	E-1095 Lock Washer (4)
10	44230	E-1096 Washer (2)
11	44425	E-1334-X Support Bar (2)
12	44525	E-1484 Spring Ring (2)
13	79965	E-1667 Screw (2)
14	79985	E-1690 Stop Nut (2)
15	44720	E-1692 Retaining Ring (2)
16	79995	E-1693 Hex Nut (2)
17	80000	E-1694 Nut (2)
18	44725	E-1697-X Retaining Ring, Spring & Set Screw Assembly (2)
19	80025	E-1773 Reducer
20	80030	E-1777 Hex Head Bolt (2)
21	80045	E-1780 Hex Head Bolt (4)
22		E-1796 Wheel Bushing (2)
23	80070	E-1799 Axle Washer (4)
24	80075	E-1800 Axle (2)
25	80085	E-1807 Coil Cord
26	80090	E-1808 Electrical Plug
27	80135	E-2011 Cord .71 nncor
28	80440	E-2768 Spacer (2)
29	45175	E-2921 Lock Washer (2)
30	45360	E-3270 Straight Connector
31	45385	E-3328 Wing Nut (4)
32	80145	E-4007 Track Locator Plate
33	80160	E-4033 Roller Bracket
34	80165	E-4034 Roller Assembly
35	80170	E-4056 Wheel (2)
36	80355	E-4223 Condulet Ell
37	46050	E-4596 Set Screw (2)

**Body, Drive Shaft & Ring Gear**



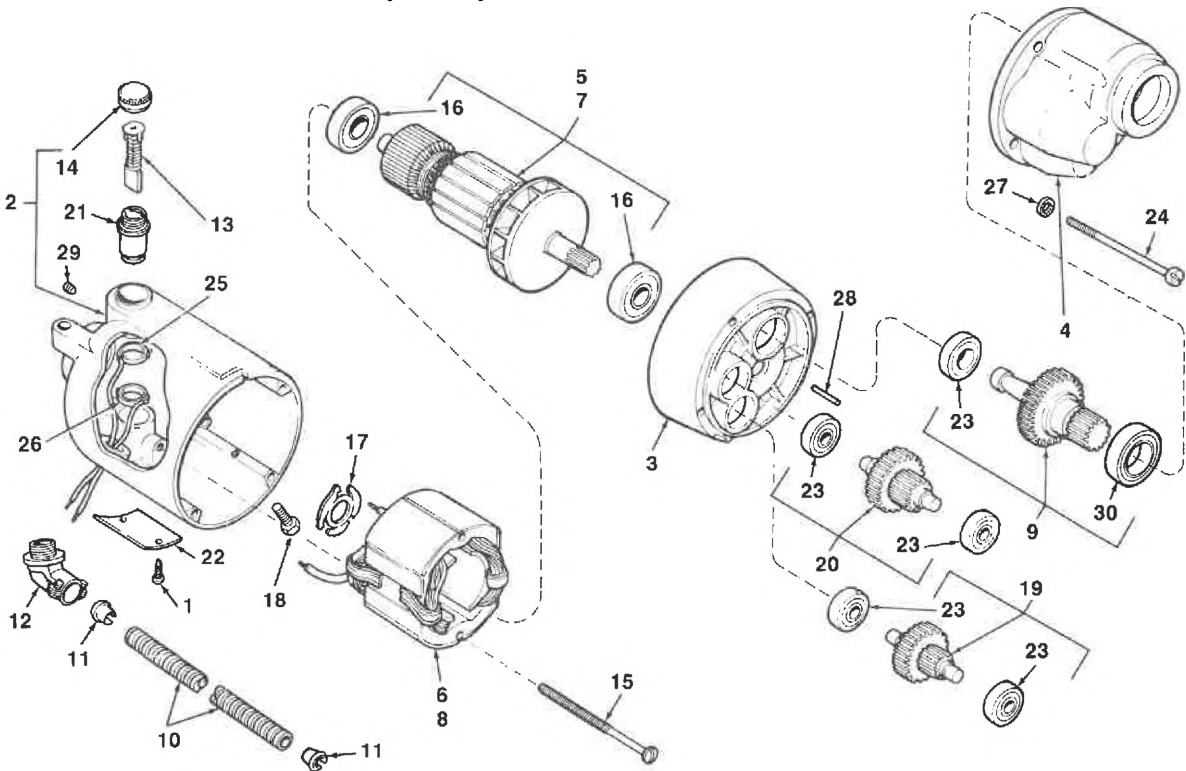
Ref. No.	Catalog No.	Description
1	42845	A-27-X Body
2	75410	B-225 Ring Gear
3	75405	C-477 Drive Shaft and Pressure Ring Assy.
4	46745	E-891 Screw (2)
5	46860	E-912 Grease Fitting (2)
6	45310	E-3205 Dowel Pin
7	45340	E-3241 Set Screw
8	45345	E-3242 Thrust Ring
9	46035	E-4548 Screw

*Specify Machine Model and Serial Number when ordering parts.*

**Motors**

Model No. 9174 - Cat. No. 75385 (115 Volt)

Model No. 9274 - Cat. No. 75545 (230 Volt)

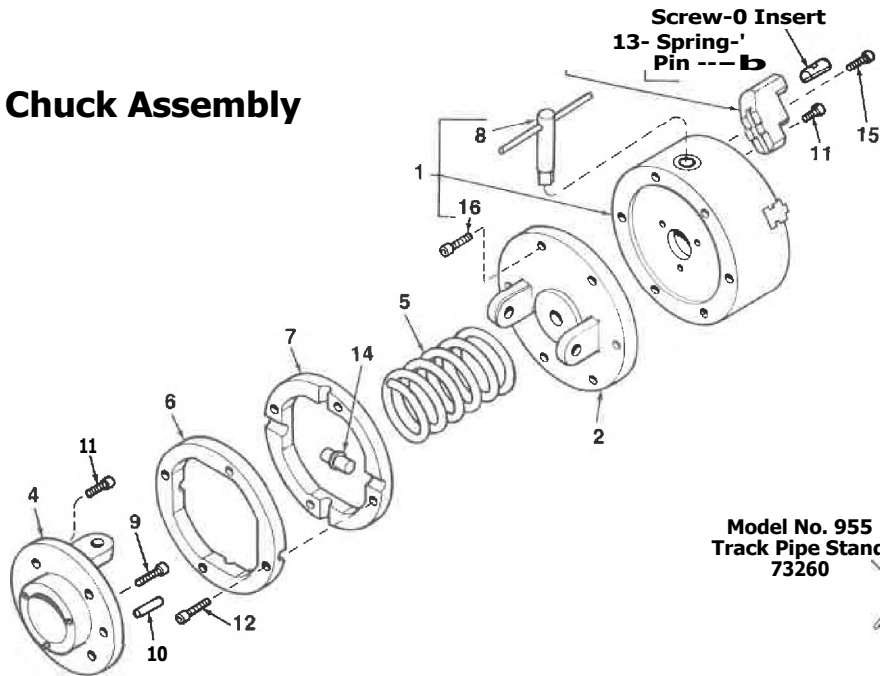


Ref. No.	Catalog No.	Description
	85920	E-10006 Pop Rivet (2)
2	43160	B-822-1-X Motor Housing Assembly (Incl. Ref. No. 14, 21 and 29)
3	43165	B-823-1-X Fan Housing
4	42875	B-1102 Gear Case
5	44010	D-696-X Armature and Fan Assembly (115 Volt) (Incl. Ref. No. 16)
6	44015	D-733 Field (115 Volt)
7	44030	D-739-X Armature and Fan Assembly (230 Volt) (Incl. Ref. No. 16)
8	44035	D-740 Field (230 Volt)
9	75390	D-865 Main Drive Gear Assembly (Incl. Ref. No. 23 and 30)
10	45415	E-3432 Conduit
11	46890	E-918 Insulator Bushing (2)
12	46905	E-923-1 45 Degree Connector with Lock Nut
13	44540	E-1491 Brush Assembly (2)
14	44545	E-1493-1 Brush Cap (2)
15	44555	E-1495 Field Mounting Screw (2)
16	44565	E-1497 Ball Bearing (2)
17	44580	E-1501 Loading Spring
18	83500	E-1749 Field Locking Screw
19	44985	E-2600-X 1st Intermediate Gear Assembly (Incl. Ref. No. 23)
20	45005	E-2601-X 2nd Intermediate Gear Assembly (Incl. Ref. No. 23)
21	45025	E-2606 Brush Holder (2)
22	45030	E-2609-1 Name Plate
23	45060	E-2630 Ball Bearing (5)
24	45075	E-2748 Screw (4)
25	45130	E-2861 Upper Lead Wire and Connector (White)
26	45135	E-2862 Lower Lead Wire and Connector (Red)
27	45150	E-2887 Lock Washer (4)
28	45165	E-2893 Dowel Pin
29	39770	E-3145 Set Screw (2)
30	45315	E-3215 Front Ball Bearing

**NOTE: Order parts by Catalog Number only. DO NOT order by Reference Number**

*Specify Motor Model Number and Machine Serial Number when ordering parts.*

## Chuck Assembly



**NOTE: Order parts by Catalog Number only. DO NOT order by Reference Number.**

## Tools and Equipment

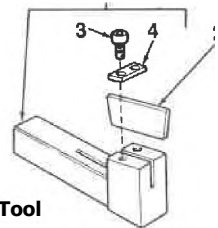
- Tracking Collar (w/Set Screw 39775)  
 73280 (2-1/2")  
 73285 (3")  
 73290 (3-1/2")  
 73295 (4")  
 73300 (5")  
 73305 (6")  
 73310 (8")

T-Handle Wrench  
80350

Model No. 955  
Track Pipe Stand  
73260

Tool Box  
52585

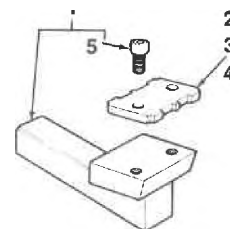
## Cutting Tools



Cutoff Tool

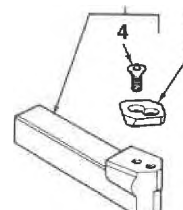
Ref. No.	Catalog No.	Description
3	73345	Cutoff Bit Holder
4	73350	Cutoff Bit
	32205	Screw (2)
	80340	Retaining Plate

## Double Grooving Tool



Ref. No.	Catalog No.	Description
1	73325	Grooving Bit Holder
2	73330	Double Grooving Bit (2 1/2" & 3 1/2" Pipe)
3	73335	Double Grooving Bit (4"-6" Pipe)
4	73340	Double Grooving Bit (8" Pipe)
5	32270	Screw (2)

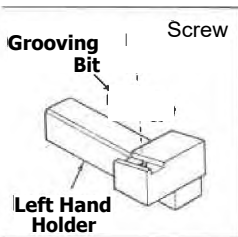
## Beveling Tool



Ref. No.	Catalog No.	Description
1	73315	Beveling Bit Holder
2	73320	Beveling Bit (37 1/2 Deg.)
3	78000	Beveling Bit (30 Deg.)
4	80140	Screw (2)

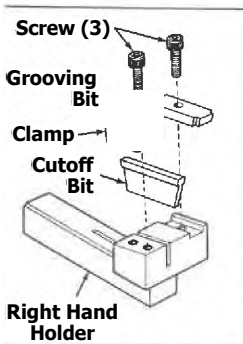
Ref. No.	Catalog No.	Description	Ref. No.	Catalog No.	Description
1	80395	B-220 Chuck (Incl. Ref. No. 6)	8	80400	D-771 Chuck Wrench
2	80435	B-221 Chuck Adaptor Yoke	9	45160	E-2892 Socket Hd. Screw
3	80450	C-486-X Chuck Jaws (3 per set) (Incl. 1 set)	10	75340	E-533 Dowel Pin
4	80405	C-507 Yoke Adaptor	11	46750	E-892 Cap Screw
5	80420	D-767 Yoke Spring	12	79685	E-1555 Socket Hd. Screw
6	80410	D-768 Housing "A"	13	78035	E-2712-X Chuck Jaw Insert (6 per set)
7	80415	D-769 Housing "B"	14	80425	E-2718 Pin
			15	80430	E-2719 Cap Screw
			16	80445	E-2766 Socket Hd. Screw

Specify Machine Model and Serial Number when ordering parts.



## Grooving Tool (L.H.)

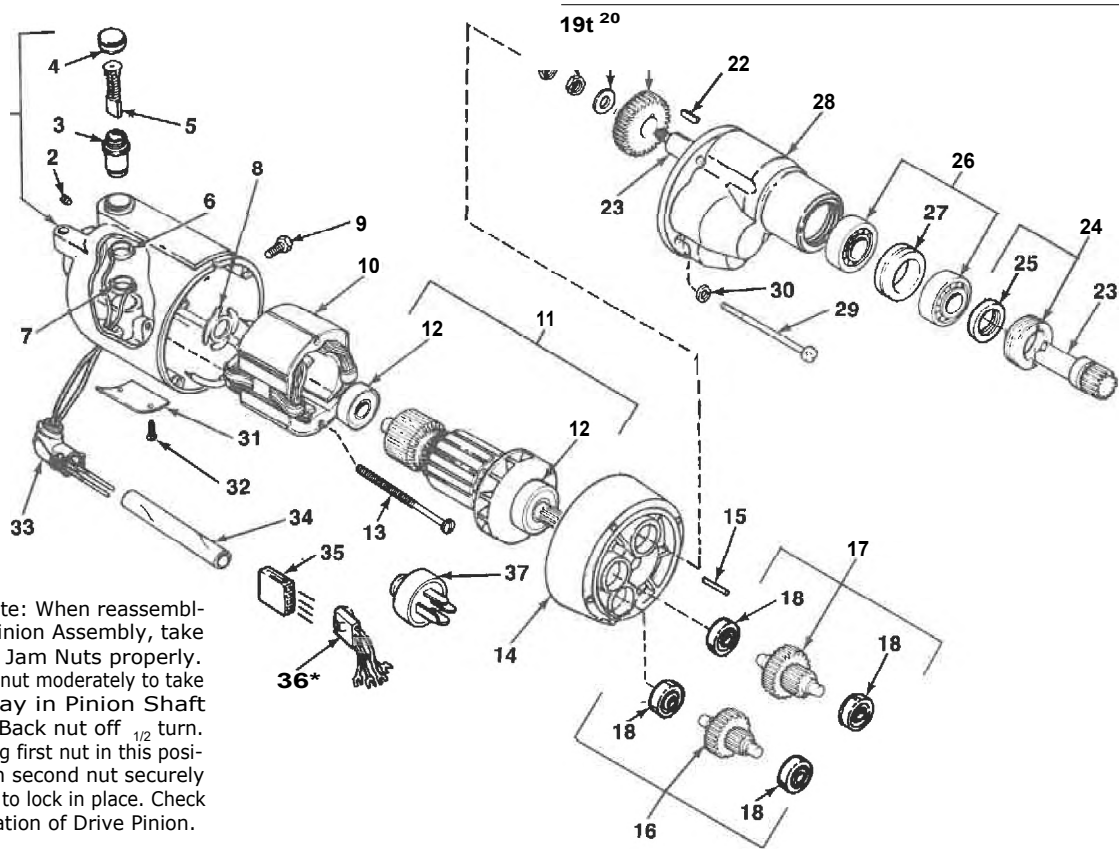
Left Hand Holder Assembly	Pipe Size		
	2 1/2"-3 1/2"	4"-6"	8"
Left Hand Holder Assembly	79750	79760	79770
Left Hand Holder	79700	79715	79730
Grooving Bit	79705	79720	79735
Screw	32270	32270	32270



## Grooving & Cutoff Tool (R.H.)

Right Hand Holder Assembly	Pipe Size		
	2 1/2"-3 1/2"	4"-6"	8"
Right Hand Holder Assembly	79745	79755	79765
Right Hand Holder	79695	79710	79725
Cutoff Bit	73350	73350	73350
Grooving Bit	79705	79720	79735
Clamp	79740	79740	79740
Screw (3)	32270	32270	32270

**1157  
1177  
2357  
2377**



Service Note: When reassembling Drive Pinion Assembly, take care to set Jam Nuts properly. Tighten first nut moderately to take up end play in Pinion Shaft Assembly. Back nut off 1/2 turn. While holding first nut in this position, tighten second nut securely against first to lock in place. Check for free rotation of Drive Pinion.

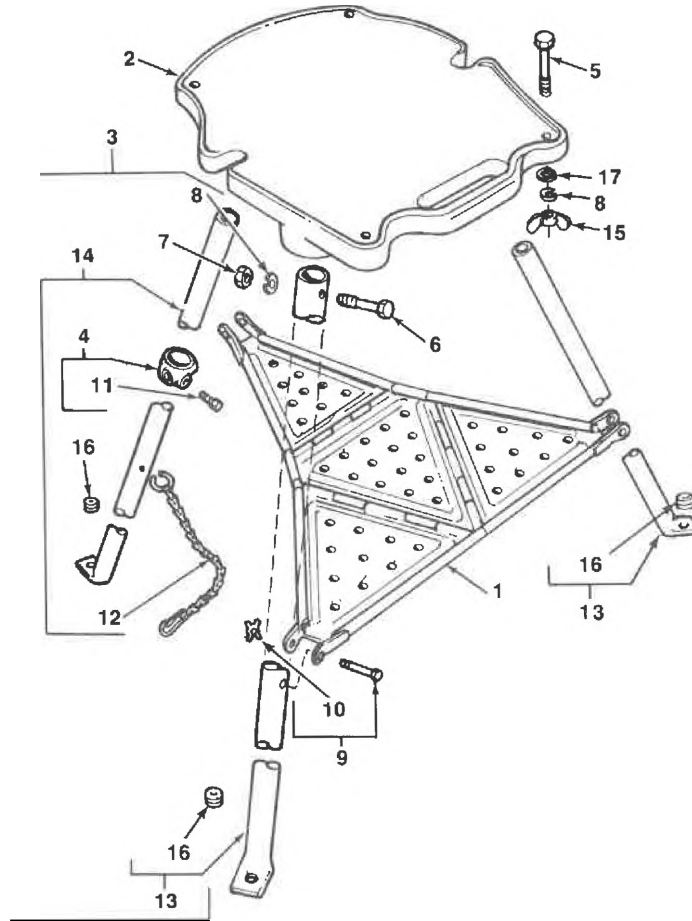
Ref. No.	Catalog No.	Description	Ref. No.	Catalog No.	Description
1	43160	B-822-1X Housing	18	45060	E-2630 Gear Bearing (4)
2	39770	E-3145 Set Screw 1/4-20 x (2)	19t	40350	E-1721 Lock Nut 7/8"-24 (2)
3	45025	E-2606 Brush Holder Set	20	45035	E-2610 Washer
4	44545	E-1493-1 Brush Cap Set	21	See Chart	Main Drive Gear
5	44540	E-1491-X Brush Set	22	45015	E-2604 Key 1/32" Sq.
6	87865	E-10144 White Upper Lead	23	44960	E-2596 Drive Pinion
7	87870	E-10145 Red Lower Lead	24	45010	E-2603X Lock Nut w/Seal
8	44580	E-1501 Loading Spring	25	45085	E-2753 Seal
9	83500	E-1749 Screw 1/4-20 x 3/4	26	45040	E-2616-X Bearing Set w/Spacer
10	87875	D-2053 Field - 115V (535)	27	45045	E-2618 Spacer
	44015	D-733 Field - 115V (802, 400A)	28	43170	B-824 Housing
	87885	D-2054 Field - 230V (535)	29	45075	E-2748 Screw 1/4-20 x 3
	44035	D-740 Field - 230V (802, 400A)	30	45150	E-2887 Lock Washer (4)
11	44010	D-696-X Armature - 115V	31	45030	E-2609-1 Name Plate
	44030	D-739-X Armature - 230V	32	85920	E-10006 Pop Rivet (2)
12	44565	E-1497 Armature Bearing (2)	33	46900	E-923 Connector 90°
13	44555	E-1495 Mounting Screw (2)		46905	E-923-1 Connector 45°
14	43165	B-823-1X Fan Housing Assembly	34	46880	E-916 PVC Tube
15	45165	E-2893 Dowel Pin	35	87955	E-3193 Receptacle
16	See Chart	1st Gear Assembly	36*	86675	E-3190-X Outlet Jumper
17	See Chart	2nd Gear Assembly	37	46705	E-885 4-Prong Plug

**SPEED CHANGE GEAR CHART  
MACHINE MODEL NO. 400A - 535- 802**

Motor No.	Model No.	Volts	Spindle Speed	Ref. #11	Ref. No. 16 1st Intermediate Gear Assembly	Ref. No. 17 2nd Intermediate Gear Assembly	Ref. No. 21 Drive Gear
88125 88165	1177 2377	115V 230V	L 36 STD.	0 1 2 3 4 5 6 7 8 9 10 11 12 13 14 15 16 17 18 19 20 21 22 23 24 25 26 27 28 29 30 31 32 33 34 35 36 37	PART NO. 44985 (E-2600-X) 51 T. GEAR 12 T. PINION	PART NO. 45005 (E-2601-X) 42 T. GEAR 13 T. PINION	PART NO. 44965 (E-2597) 48 T.
88135 88175	1177A 2377A	115V 230V			L 54 STD. ON 802	PART NO. 44985 (E-2600-X) 51 T. GEAR 12 T. PINION	PART NO. 44990 (E-2601-AX) 42 T. GEAR 18 T. PINION
88145 88185	1177B 2377B	115V 230V	72		PART NO. 44975 (E-2600-BX) 51 T. GEAR 15 T. PINION	PART NO. 44995 (E-2601-BX) 39 T. GEAR 18 T. PINION	PART NO. 44865 (E-1926) 43 T.
88155 88195	1177C 2377C	115V 230V			NO. 44980 PART NO. 44980 (E-2600-CX) 51 T. GEAR 19 T. PINION	PART NO. 45000 35 T. GEAR 18 T. PINION	PART NO. 44865 (E-1926) 43 T.

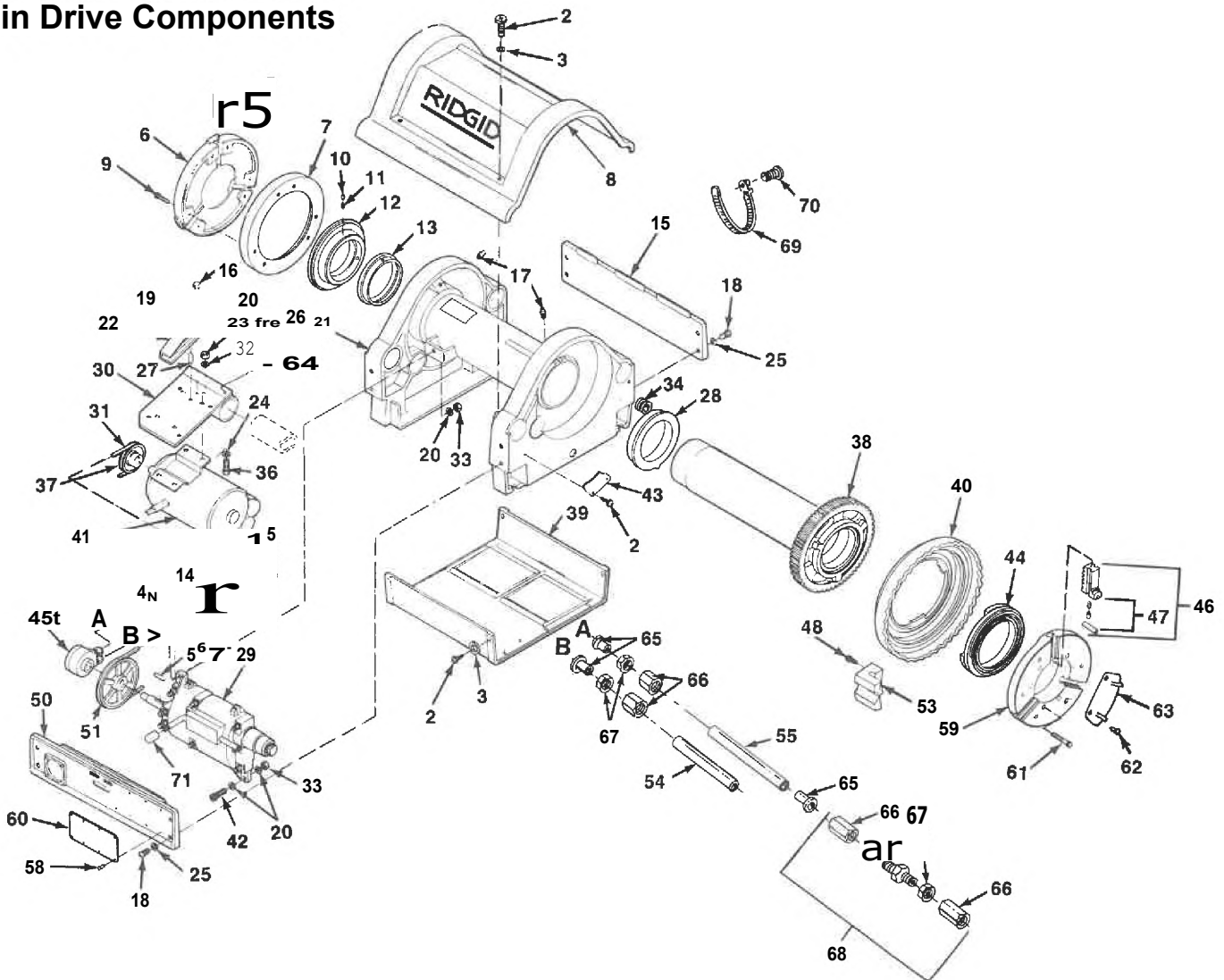
\*Not included with Motor Complete

**NOTE: Order parts by Catalog Number only.  
DO NOT order by Reference Number.**



Ref. No.	Catalog No.	Description	Ref. No.	Catalog No.	Description
—	42360	1206 Stand Complete	10	41270	E-1377 X-Washer (6)
1	43475	B-547 Tool Tray	11	41245	E-1380 Set Screw $\frac{1}{8}$ -16 x 1
2	42870	B-1058 Base	12	40945	E-1444-X Chain Assembly
3	42990	B-1983-X Tray & Leg Assembly	13	45325	E-1336-X Front Leg (2)
4	41235	D-488-X Tray Support	14	45330	E-3237-X Rear Leg
5	46670	E-867 Bolt $\frac{1}{2}$ -16 x 2 (4)	15	45385	E-3328 Wing Nut $\frac{1}{2}$ -16 (4)
6	46675	E-868 Bolt $\frac{1}{2}$ -16 x 2 $\frac{3}{4}$ (3)	16	40940	F-532 Grommet (3)
7	44225	E-1094 Nut $\frac{1}{2}$ -16 (3)	17	44230	E-1096 Washer $\frac{1}{2}$ (4)
8	40930	E-1095 Lock Washer $\frac{1}{2}$ (7)			
9	41265	E-1375-X Pin w/Washer (1% Long)			
	89720	E-10396-X Pin w/Washer (1% Long)			

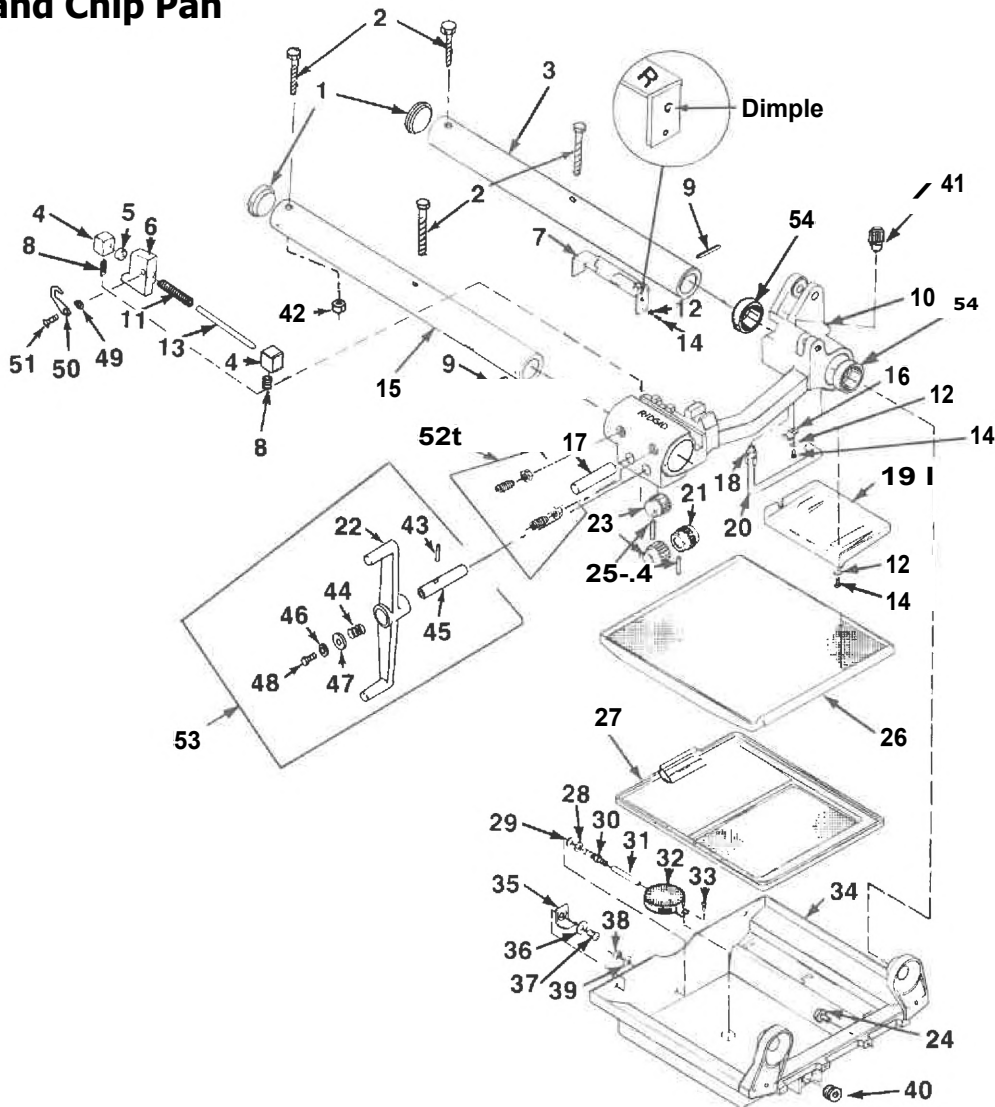
Main Drive Components



Re. Catalog No.	No.	Description	Ref. Catalog No.	No.	Description	Ref. Catalog No.	No.	Description
1	33622	Pump Bracket	26	88265	Set Screw 3/10"-16 x 1"	46	40087	Chuck Jaw Set
2	41597	Screw (12)	27	88230	Roll Pin 1/4" x 3/16"	47	26242	Jaw Insert Set
3	41592	Washer (10)	28	26767	Front Bearing	26247	26247	Jaw Insert Set F/Coated Pipe
4	33627	Screw	29	26362	Gear Box Assy.	27067	27067	Self-Tapping Screw (2 Req. f/G.S.)
5	32412	Centering Jaw Set	30	27062	Motor Bracket	50	27077	Front Side Plate
6	26537	Centering Head	31	26832	V-Belt	51	26852	Gear Box Pulley
7	26542	Back Plate	32	40770	Lock Washer 1/2" (4)	53	26507	Pinch Point Boss (2 Req. f/G.S.)
8	26477	Top Cover	33	27517	Lock Nut 3/8"-18	54	27007	Inlet Hose
9	40910	Screw 1/4"-20 x 3/4" (6)	34	47080	Grommet	55	26822	Output Hose
10	45300	Set Screw 1/2"-24 x 1/4" (3)	35	33617	Spacer	56	27002	Key
11	45265	Set Screw 1/16"-24 x 1/2" (3)	36	85910	Bolt 3/8"-18 x 1/4"	58	85920	Rivets (8)
12	32407	Scroll	37	26857	Motor Pulley (60 Hz)	59	26332	Chuck Cap
13	26352	Rear Bearing	38	27082	Motor Pulley (50 Hz)	60	88690	Safety Plate
14	26307	Washer	39	26347	Drive Gear/Spindle Assy.	61	26522	Screw 5/16"-24 x 2 1/4" (6)
15	26487	Rear Side Plate	40	26337	Handwheel	62	27242	Screw 10-32 (6)
16	32145	Screw 1/4"-20 x 1/2"	41	26237	Motor w/Capacitor 120V, 60 Hz	63	33612	Set of 3 Cover Plates
17	46860	Grease Fitting (2)	42	27287	Motor w/Capacitor 110V, 50 Hz	64	83545	Jam Nut 3/16"-16
18	26997	Screw 3/8"-16 x 3/4" (8)	43	26232	Motor w/Capacitor 240V, 60 Hz	65	35117	Tube Insert (3)
19	44740	Lock Washer 1/4"	44	27282	Motor w/Capacitor 220/240V, 50 Hz	66	40602	Compression Nut
20	96740	Washer 3/16"	45	28052	Motor w/Capacitor 220V, 50 Hz GS	67	40607	Ferrule
21	26357	Base	42	27037	Shoulder Bolt	68	26972	Union
22	26492	Belt Tensioner	43	27012	Pinion Guard	69	43552	Tie Down Strap
23	96730	Nut E/16"-18 (4)	44	26517	Scroll	70	45275	Screw 10-24 x 1/2
24	27402	Washer 5/16" (4)	45	27307	Oil Pump	71	27032	Shifter Knob
25	40930	Lock Washer 1/8" (8)						

1 See Service Notes

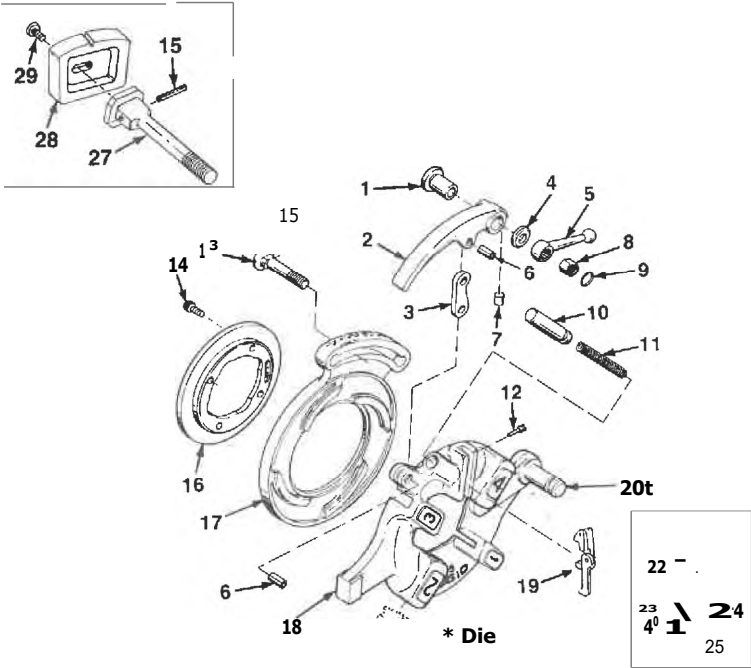
Carriage and Chip Pan



Ref. Catalog No.	No.	Description	Ref. Catalog No.	No.	Description	Ref. Catalog No.	No.	Description
	33577	Carriage Assembly (Includes Ref. #4-8, 10-14, 17, 21, 23, 25, 41, 49-54)	17	26777	Sine Bar/Pinion Shaft (2)	37	26997	Screw 3/8"-16 x 2/4" (2)
1	26502	Rail Plug (2)	18	26562	Supply Line Fitting	38	88080	Hex Nut 3/8"-16
2	40167	Bolt 5/8-18 x 3 1/2 (4)	19	26772	Drip Plate	39	26307	Washer
3	26497	Rear Rail	20	26812	Die Lubrication Tube	40	48337	Drain Plug
4	26787	Guide Block (2)	21	26587	Sine Bar Pinion	41	28462	Ball Detente
5	26792	Sine Bar Spacer	22	40147	Carriage Handwheel	42	27517	Lock Nut 3/8"-18 (4)
6	40242	Sine Bar	23	26572	Carriage Pinion (2)	43	74965	Pin
7	26912	Sine Bar Cover Assembly	24	26837	Stud (2)	44	40162	Spring
8	26582	Guide Block Spring (2)	25	74965	Roll Pin "A" x 1 1/4" (3)	45	40157	Handwheel Shaft
9	27052	Roll Pin (2)	26	26802	Draw Tray Assembly	46	41582	Lock Washer
10	26342	Carriage (Includes Ref. #41, 52 & 54)	27	26807	Insert Assembly	47	40152	Washer
11	26592	Sine Bar Return Spring	28	27252	Washer	48	26997	Screw
12	41592	Washer #10 (2)	29	41715	Seal Washer	49	40227	Spring Washer
13	26577	Guide Bar	30	26697	Bulk Head Fitting	50	40237	Latch
14	79965	Screw #10-32 x 1/2" (5)	31	26927	Tubing	51	40232	Spiral Pin
15	26467	Front Rail	32	27262	Screen Assembly	52 f	41812	Gib Screw Set
16	26652	Oil Supply Clamp	33	26797	Screw #10-32 x 3/16"	53	42027	Handwheel Kit
			34	26847	Chip Pan Hanger Assembly	54	44612	Carriage Bearings (2)
			35	26817	Chip Pan Bracket (2)			
			36	40930	Lock Washer 'hi' (2)			

tSee Service Notes

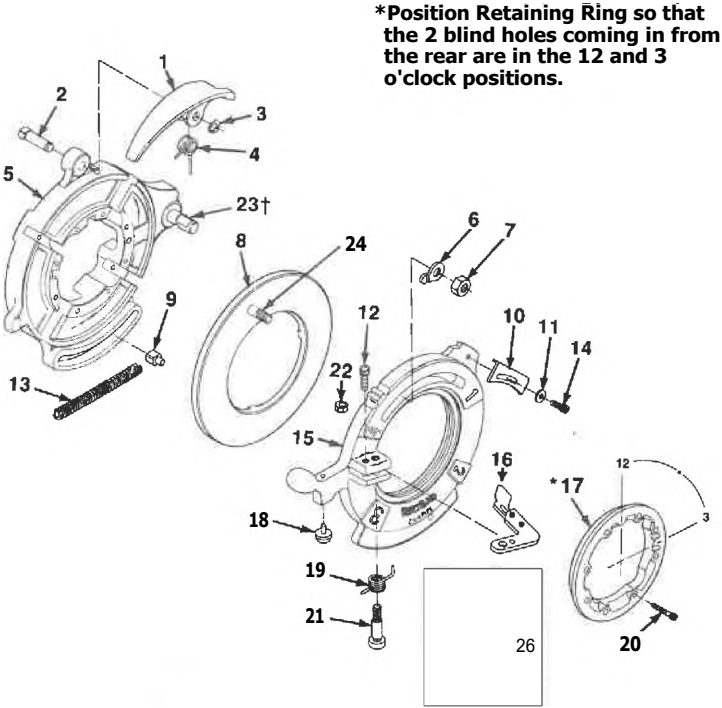
**Nos. 711 & 911 Self-Opening Die Heads**



Ref. No.	Catalog No.	Description
	26132	711 Self-Opening Die Head (NPT)
	26137	911 Self-Opening Die Head (BSPT)
	41382	911 Self-Opening Die Head f/Japan (BSPT)
1	44240	Bushing
2	43830	Throw-out Lever
3	44265	Throw-out Link
4	44245	Thrust Washer
5	44260	Clamp Lever
6	44270	Spiral Pin
7	45055	Insert
8	44250	Nut
9	44255	Retaining Ring
10	44275	Throw-out Plunger
11	44280	Spring
12	44290	Trigger Screw
13	44235	Lock Screw
14	32205	Screw 14-20 x 5/8
15	45050	Pin
16	97020	Retaining Ring
17	40942	Cam Plate (NPT)
	40962	Cam Plate (BSPT)
18	26717	Head w/Post
19	44285	Trigger Assy.
	32982	Adjustable Trigger Assy. (Europe)
	44687	Stepped Trigger Assy. (Japan)
t20	32417	Post
21	39982	Spring
22	44460	O-Ring
23	39967	Screw (Left Hand)
24	39977	Trigger Pivot
25	39972	Adjustable Trigger (Europe)
	44672	Stepped Trigger (Japan)
26	45332	Adj. Gage Plate Assy.
27	46722	Adj. Lock Screw
28	46717	Adj. Gage Plate
29	47147	Button Head Screw

t - See Service Notes

**Nos. 714 & 914 Self-Opening Receding Die Heads**



Ref. No.	Catalog No.	Description
	26152	714 Self-Opening Receding Die Head (NPT)
	26157	914 Self-Opening Receding Die Head (BSPT)
	41387	914 Self-Opening Receding Die Head f/Japan (BSPT)
1	26877	Release Lever
2	26932	Groove Pin
3	26937	Retaining Ring
4	26872	Spring
5	26712	Die Head w/Post
6	26957	Lever Washer
7	26887	Hex Nut 1/16-20
8	26952	Cam Assy. (NPT)
	27277	Cam Assy. (BSPT)
9	26632	Drive Block
10	26867	Lockout Plate
11	27097	Washer 3/32
12	27357	Screw 1/4-20 x 7/16
13	26612	Drive Block Spring
14	32145	Screw 1/4-20 x 1/2
15	26882	Cam Locking Plate
16	26617	Release Foot (NPT)
	32507	Release Foot (BSPT)
	32977	Adjustable Release Foot (BSPT)
*17	26637	Retaining Ring
18	26962	Sine Bar Ball
19	26622	Torsion Spring
20	26642	Screw #10-32 x 1 3/16 (8)
21	26627	Shoulder Bolt
22	77710	Hex Nut 1/4-20
T23	32417	Post
24	33227	Cam Bolt
25	39992	Release Foot Pivot
26	39987	Release Foot (BSPT)
27	32205	Screw

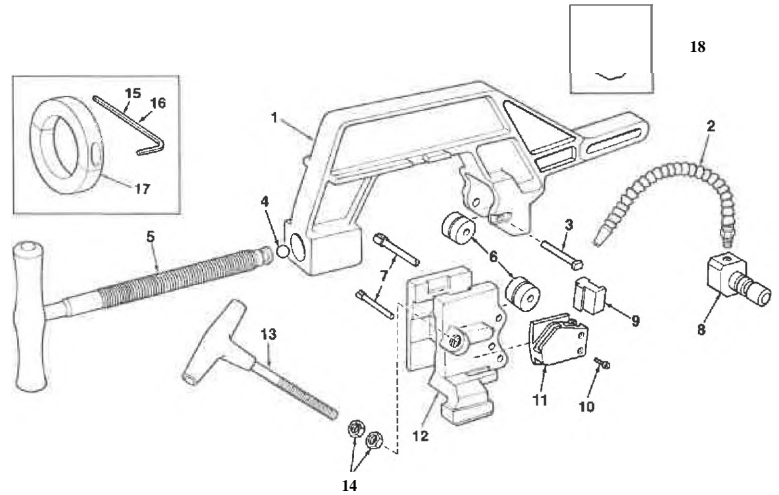
t - See Service Notes



## 765 Blade-Type Cutter

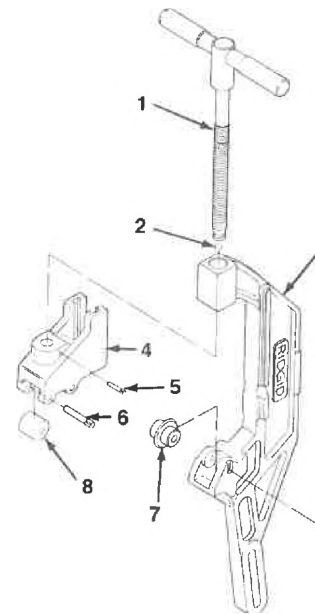
**NOTE: Order parts by Catalog Number only.  
DO NOT order by Reference Number.**

Ref. No.	Catalog No.	Description
	34207	765 Blade Type Cutter
1	26742	Cutter Frame
2	39845	Coolant Nozzle
3	34790	Roll Pin
4	41730	Ball Bearing
5	26752	Screw Handle
6	34785	Roll (5)
7	26762	Groove Pin (4)
8	34367	Oil Supply Post
9	34217	Tool Bit (Grooving Tool 1/2"-3 1/2" E198123)
	34222	Tool Bit (Grooving Tool 4" D198086)
	34212	Tool Bit (Beveling 37°)
	43890	Tool Bit (Chamfering 45°)
	44200	Tool Bit (Lined Pipe)
10	32270	Screw Vie" - 18 x (2)
11	43820	Tool Holder Slide
12	34357	Floll Housing
13	36992	Feed Screw Assembly
14	44745	Stop Nut (2)
15	36997	1/4" Hex Wrench
16	46045	1/16" Hex Wrench
17	34372	Carriage Clamp
18	36617	Gauge Block



## No. 764 Pipe Cutter

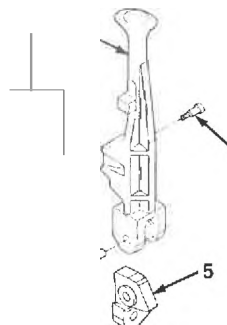
Ref. No.	Catalog No.	Description
	26212	764 Pipe Cutter
1	26752	Screw Handle
2	41730	Ball Bearing
3	26742	Cutter Frame
4	26747	Roll Housing
5	26757	Groove Pin
6	26762	Groove Pin (2)
7	33125	Cutter Wheel
8	34785	Roll (2)
	26252	Roll F/Coated Pipe (2 per set)
9	34790	Wheel Pin
10	27072	Groove Pin



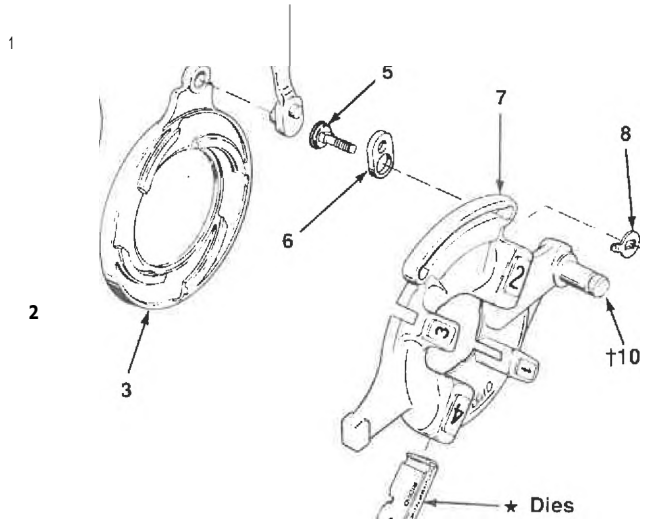
10

## No. 744 Reamer Assembly

Ref. No.	Catalog No.	Description
	26217	744 Reamer Assembly
1	26602	Reamer Arm
2	34577	Reamer Blade 1/4"-4"
3	27037	Shoulder Bolt
4	27072	Groove Pin
5	26607	Pivot Block
6	26727	Groove Pin (2)



**Nos. 541, 542, 713 & 913  
Quick-Opening  
Die Heads**

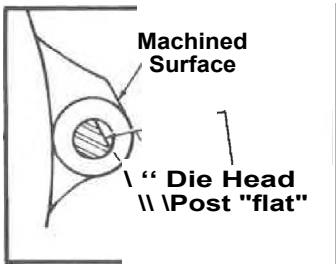


Ref. Catalog		
No.	No.	Description
-	26162	541 Quick-Opening Bolt Die Head 1/4"-1"
-	26167	542 Quick-Opening Bolt Die Head 1 1/8"-2"
-	26142	713 Quick-Opening Die Head (NPT) 1/4"-2"
-	26147	913 Quick-Opening Die Head (BSPT) 1/4"-2"
1	32205	Screw 1/4-20 x 3/4 (4)
2	23292	Retaining Ring L.H. (713, 913)
	46620	Retaining Ring (541)
	46625	Retaining Ring (542)
3	43360	Cam Plate L.H. (713, 913)
	43405	Cam Plate (541)
	43410	Cam Plate (542)
4	46520	Throw-out Lever (713, 913)
	46555	Throw-out Lever (541, 542)
5	39860	Lock Screw (713, 913)
	39955	Lock Screw (541, 542)
6	39950	Link
7	26897	Head w/Post & Latch Assy. (913)
	26982	Head w/Post (541)
	26987	Head w/Post (542)
	27267	Head w/Post & Latch Assy. (713)
8	39460	Lever Washer
9	39970	Clamp Lever
t10	32417	Post

t - See Service Notes

**SERVICE NOTES**

**Replacement Instructions for Die Head Post  
All 1224 Die Heads-541, 542, 711, 713, 714, 911, 913, 914**



**—I M P O R T A N T—**  
**Post must be properly oriented to insure oil flow through head. Insert illustrates proper relationship (parallel) of "flat" on die head post to flat "machined surface" of die head casting.**

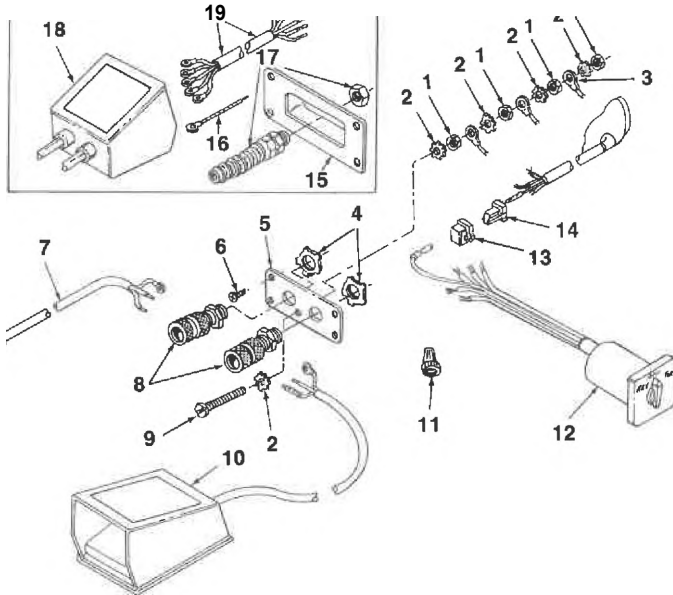
**No. 1224 Carriage Gib Screw Adjustment**

1. Tighten the gib screws until they firmly engage the rail.
2. Back the gib screws off 1/4 to 1/2 turn and secure in place with the lock nuts.

**NOTE: Gib screws should be checked periodically for proper adjustment.**



**Electrical Components**



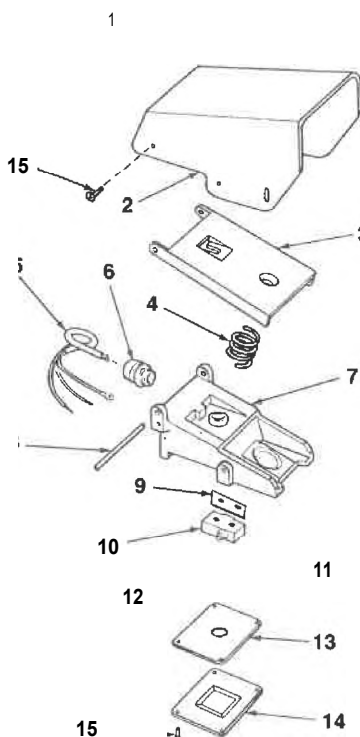
**Ref. Catalog**

No.	No.	Description
1	44695	Nut #10-24 (4)
2	46985	Ext. Lock Washer #10 (5)
3	27182	Green Jumper Wire Assy.
4	27157	Lock Nut
5	27162	Strain Relief Bracket
6	41597	Self-Tapping Screw (4)
7	46740	Service Cord w/Plug (120V, 60Hz)
	46410	Service Cord w/Plug (240, 60Hz)
8	68885	Strain Relief (2)
9	27057	Pan Head Screw #10-24 x 1 1/4'
10	33342	B-294 Footswitch (120V/240V 60Hz)
11	44635	Wire Nut (3)
12	27297	Switch Assy. (120V/240V 60Hz)
	27302	Switch Assy. (110V/220V/240V 50Hz)
	27192	Switch Assy. (220V 50 Hz G.S.)
13	27122	Connector Receptacle w/Female Pin Terminals
14	27172	Connector Plug w/Male Pin Terminals
15	27197	Strain Relief Bracket
16	27407	Earth Link
17	27187	Strain Relief w/Locknut
18	36652	Footswitch Assy. B-296 (220/240V 50Hz)
	26317	Footswitch Assy. (220V 50Hz G.S.)
	36657	Footswitch Assy. B-297 (110V 50Hz)
19	27367	Connecting Cord Assy. (220/240V 50Hz)
	29667	Connecting Cord Assy. (220V 50Hz G.S.)
	29662	Connecting Cord Assy. (110V 50Hz)

**FOLLOWING PARTS NOT SHOWN**

44962	Black Switch Lead Assy.
44967	Red Switch Lead Assy.
44977	Blue Switch Lead Assy.
44972	Brown Switch Lead Assy.
44982	White Switch Lead Assy.
44987	Yellow Switch Lead Assy.

**Footswitch Parts - Model Nos. B-294, B-295, B-296, B-297, B-298, B-299, and 301-A**



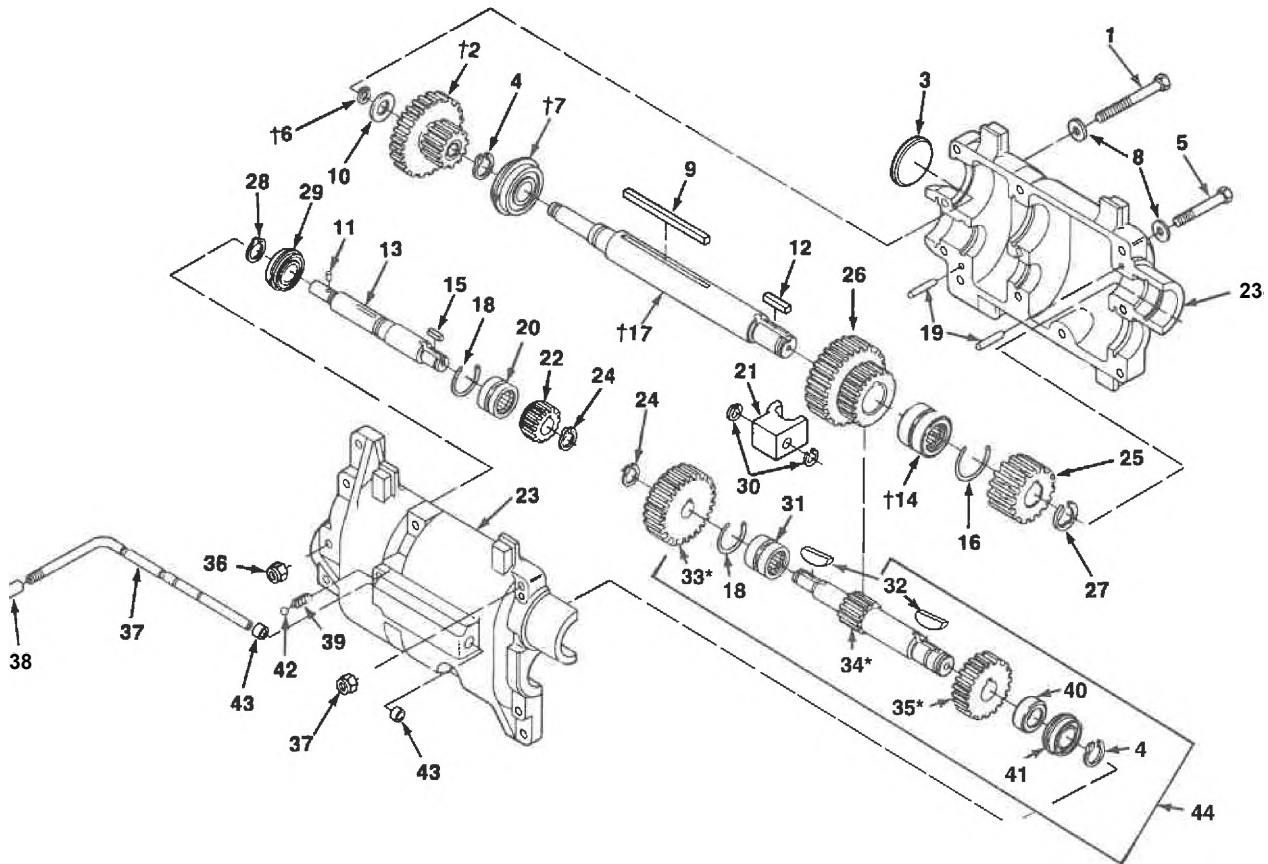
**Ref. Catalog**

No.	No.	Description
	36642	B-294 Footswitch
	36647	B-295 Footswitch
	36652	B-296 Footswitch
	36657	B-297 Footswitch
	36662	301-A Footswitch
	40017	B-298 Footswitch (U.K)
	40022	B-299 Footswitch (Australia)
1	36667	Warning Label (B-294)
	36672	Warning Label (B-295)
	36677	Warning Label (B-296)
	36682	Warning Label (B-297)
	36687	Warning Label (B-298)
	45012	Warning Label (B-299)
	45017	Warning Label (B-299)
2	36692	Cover
3	36697	Foot Pedal
4	36702	Spring
5	36707	Cord (B-294)
	36712	Cord (B-295)
	36717	Cord (B-296, B-299)
	36722	Cord (B-297)
	45027	Cord (B-298)
	36727	Cord (301-A)
6	36732	Cord Connector (2 req. on Models B-296, B-297, B-298, B-299)
7	36737	Base (B-294, B-295, 301-A)
	36742	Base (B-296, B-297, B-298, B-299)
8	36747	Pivot Pin
9	36752	Insulator
10	36762	Micro Switch (2 req. on B-296, B-297, B-298, B-299)
11	36767	O-Ring
12	36772	Poppet
13	36777	Seal
14	36782	Bottom Cover
15	36787	Screw #10 Self-Tapping (8)

**FOLLOWING PARTS NOT SHOWN**

36792	Line Cord (B-296)
36797	Line Cord (B-297)
45022	Line Cord (B-298)
93210	Line Cord (B-299)

**Gear Box**



Ref. No.	Catalog No.	Description	Ref. No.	Catalog No.	Description	Ref. No.	Catalog No.	Description
	26362	Gear Box Assembly	16	26922	Wire Ring	32	33982	Woodruff Key (2)
1	27102	Screw 5/12-18 x 3 1/4 (2)	t17	26382	Output Shaft	33*	33992	1st Gear Constant Speed
T2	26702	Fixed Gear Cluster Assy.	18	26917	Wire Ring (2)	34*	33987	Constant Speed Shaft
3	26667	Freeze Plug	19	26662	Dowel Pin (2)	t35*	33997	Large Constant Speed Gear
4	26412	Snap Ring (2)	20	26367	Front Input Bearing	36	75110	Stop Nut 5/14-18 (11)
5	27107	Screw 5/16-e-18 x 2 1/2 (9)	21	26437	Shifting Fork	37	26442	Shift Slide
t6	27117	Snap Ring	22	26377	1st Input Gear	38	27032	Shifter Knob
T7	26417	Rear Output Bearing	23	26647	Gear Box	39	26692	Shifter Detent Spring
8	96740	Washer B/E, (11)	24	26677	Snap Ring	40	26452	Spacer
9	26552	Shift Cluster Key	t25	26432	Output Pinion Gear	41	26407	Front Constant Speed Bearing
10	26672	Thrust Washer	26	26422	Cluster Shift Gear	42	46925	Steel Ball
11	26907	Spiral Pin	27	26557	Snap Ring	43	26447	Shift Slide Sleeve Bearing
12	26457	Output Pinion Key	28	44430	Retaining Ring		26707	Grease (1 lb. can)
13	26902	Input Shaft Assy.	t29	26372	Input Rear Bearing	30	34245	Set of 5 Rings
T14	26427	Front Output Bearing	30	34245	Set of 5 Rings	31	26397	Rear Bearing
15	26657	Input Pinion Key						

tSee Service Notes

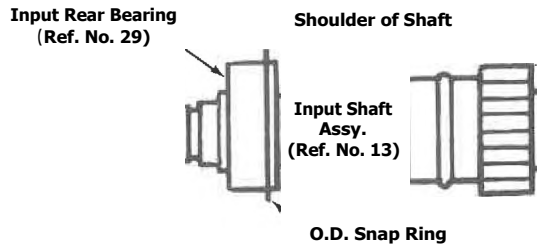
\*When replacing early style parts, using square keys, a complete shaft assembly (Ref. No. 44) should be used.

# SERVICE NOTES

# 1224

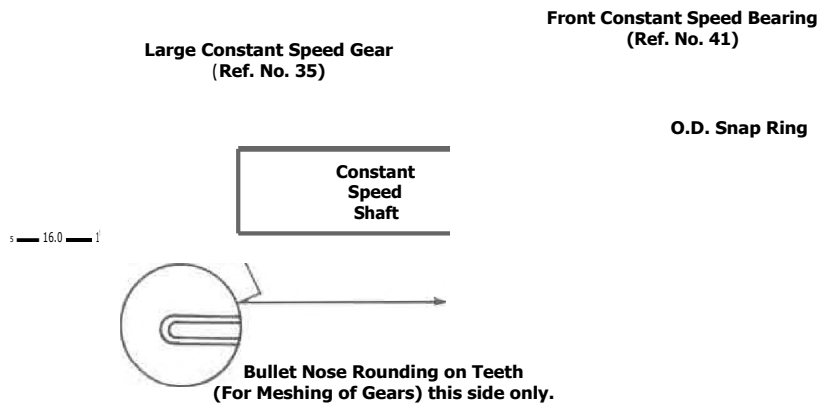
## Ref. No. 29 Input Rear Bearing

Position Bearing (Ref. No. 29) with O.D. Snap Ring towards shoulder of Input Shaft.



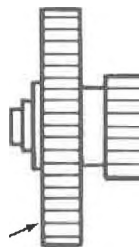
## Ref. 35 Large Constant Speed Gear Ref. 41 Front Constant Speed Bearing

Position Large Constant Speed Gear Ref. No. 35 so that bullet nose side of gear teeth are facing toward center of shaft.  
Position O.D. Snap.



## Ref. 7 Rear Output Bearing

Gear Cluster Assy. (Ref. 2)

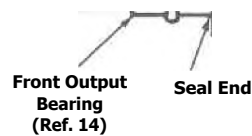


Position Bearing (Ref. No. 7) with O.D. Snap Ring towards Gear Cluster (Ref. No. 2)

Rear Output Bearing (Ref. 7)

OD Snap Ring

## Ref. No. 14 Front Output Bearing



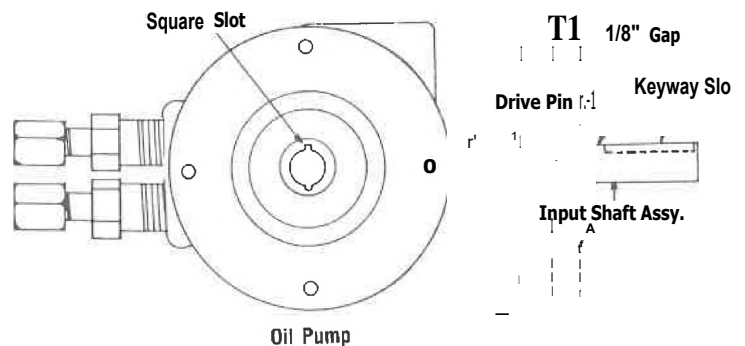
Position Seal End of Front Output Bearing (Ref. No. 14) towards Output Pinion Gear (Ref. No. 25)

Output Pinion Gear (Ref. 25)

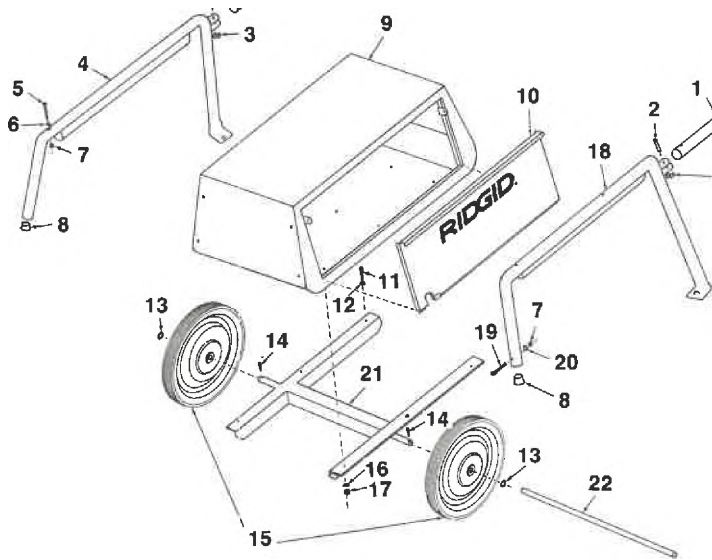
## Oil Pump

### Installing Oil Pump Onto Input Shaft Assembly

1. Align Square Slot (behind seal) in the No. 27307 Oil Pump with the Drive Pin in the No. 26902 Gear Box Input Shaft Assembly.
2. Slide Oil Pump onto Input Shaft Assembly.
3. When Pump is properly engaged onto Shaft, the distance between Pump body and Keyway Slot should not exceed 1/8 inch.

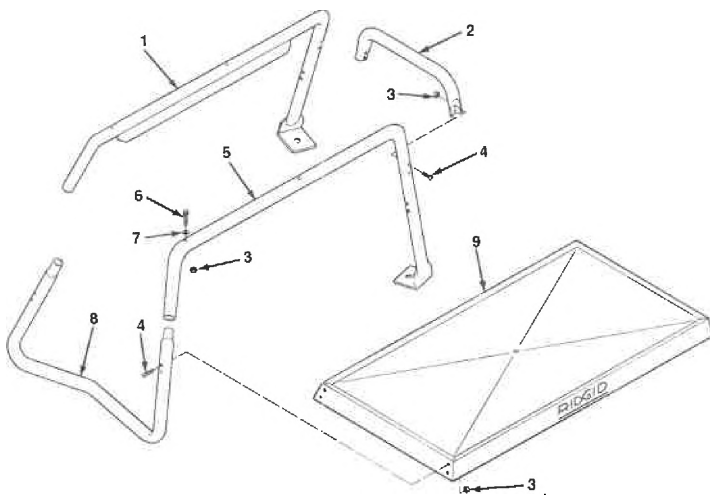


**No. 402 Wheel Stand w/Enclosed Cabinet**



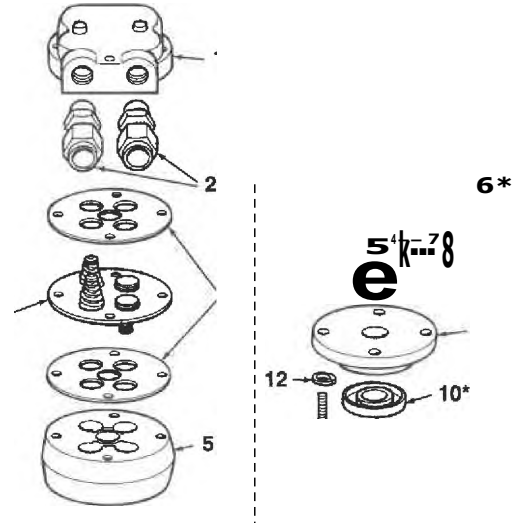
Ref. No.	Catalog No.	Description
	26182	402 Wheel Stand w/Enclosed Cabinet
1	27462	Handle (2)
2	27447	Pin (2)
3	41270	"X" Washer (2)
4	27482	Right Hand Leg Assembly
5	26942	Screw 1/4-20 x 2% (4)
6	26947	Washer 1/4 (8) (2 required per screw)
7	69010	Lock Nut 1/4-20 (12)
8	27512	Plug (2)
9	27432	Cabinet
10	27437	Door
11	75350	Screw 3/8-16 x 1 1/4 (6)
12	44230	Washer % (6)
13	47180	Washer (2)
14	47030	Cotter Pin (2)
15	27442	Wheel (2)
16	40930	Lock Washer % (6)
17	83545	Hex Nut %-16 (6)
18	27477	Left Hand Leg Assembly
19	27497	Screw 1/4-20 x 2 1/4 (8)
20	27452	Washer (8)
21	27502	Axle Assembly
22	47175	Axle

**No. 404 Leg Stand w/Tray**



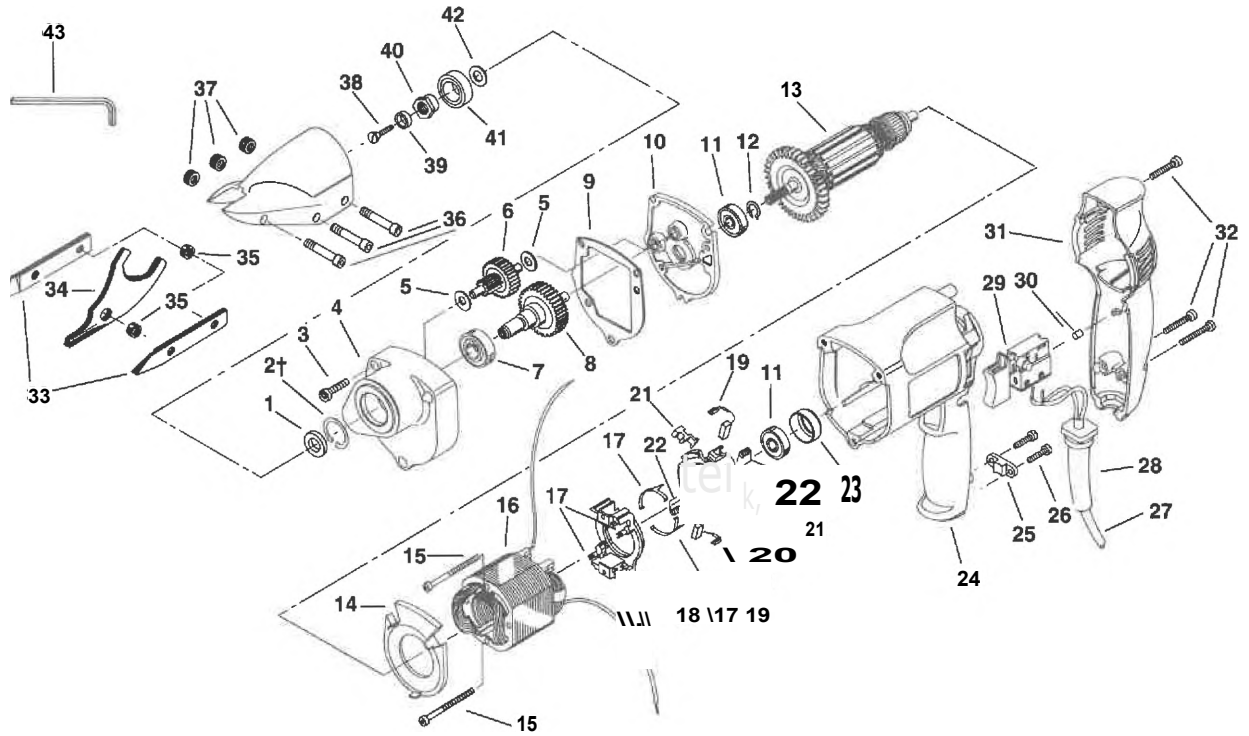
Ref. No.	Catalog No.	Description
	26177	404 Leg Stand w/Tray
1	27492	Right Hand Top Leg
2	26732	Cross Brace
3	69010	Lock Nut/4-20 (16)
4	27497	Screw (12)
5	27487	Left Hand Top Leg
6	26942	Screw 1/4-20 x 2% (4)
7	26947	Washer 1/4 (4)
8	26567	Bottom Leg
9	26782	Tool Tray

**"ML" Oil Pump**



Ref. No.	Catalog No.	Description
—t	27307	"ML" Oil Pump
1	33442	Pump Valve Body
2	33432	Compression Fitting (2)
3*	33457	Gasket (Set of 2)
4*	33452	Valve Retainer Assy.
5	33482	Gerotor Housing w/Bearing
6*	33477	O-Ring
7	33462	Sleeve Bearing
8	33467	Gerotor Set
9	33447	Pump Cap w/Seal
10*	33472	Oil Seal
11	44510	Soc. Hd. Cap Screw 1/4"-20 x 2"
12	44740	Lockwasher 1/4"
	33422	"ML" Service Kit

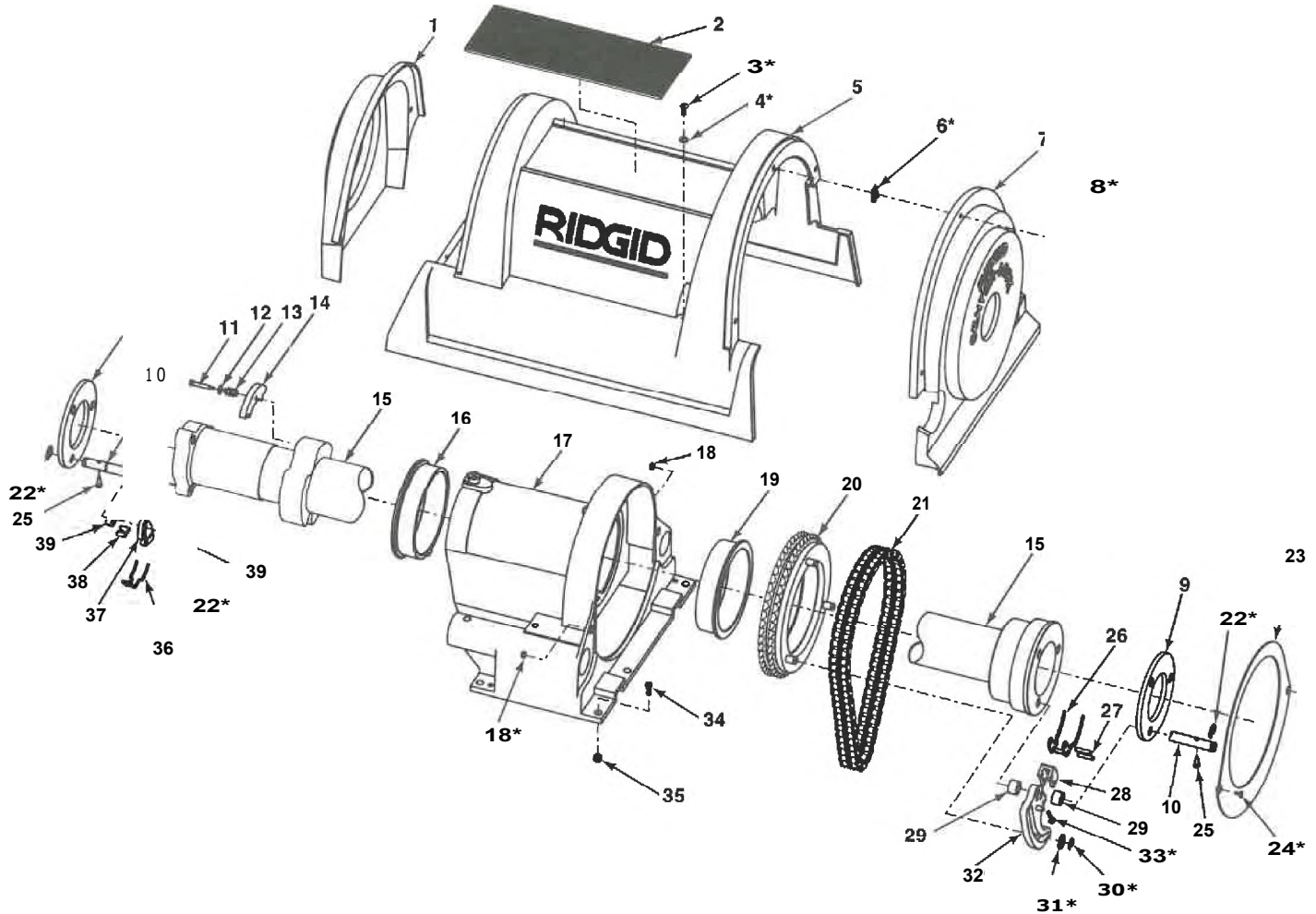
(Note: \* Indicates Part is Included in Service Kit.)  
 †See Service Note



Ref. Catalog No.	No.	Description	Ref. Catalog No.	No.	Description
1	42937	Spacer	23	42777	Sleeve
2t	42932	Retaining Ring	24	42772	Motor Housing
3	42912	Screw (3)	25	42767	Cord Clamp
4	42907	Gear Housing Assembly	26	42762	Screw (2)
5	42892	Washer (2)	27	42757	Cord w/Plug
6	46572	Intermediate Gear Assy.	28	42752	Strain Relief
7	42887	Bearing	29	42742	Switch
8	46577	Output Shaft Assembly	30	42737	Rubber Plug
9	42862	Gasket	31	42732	Handle Cover
10	42857	Bearing Plate Assembly	32	42727	Screw (3)
11	42782	Bearing	33	46252	Side Knife Set
12	42442	Retaining Ring	34	46247	Center Blade
13	42842	Armature, 115V	35	46307	Spacer Bushing (2)
14	42837	Baffle	36	46317	Cap Screws (3)
15	42827	Screw (2)	37	46312	Knurled Insert (3)
16	42817	Field, 115V	38	46237	Screw
17	42807	Contact Set	39	46322	Washer
18	42812	Stationary Contact Carrier	40	46302	Eccentric
19	46337	Brush Set	41	46222	Bearing
20	42802	Reverse Switch/Brush Holder	42	46262	Washer
21	42797	Reverse Lever (2)	43	46227	Wrench & Holder
22	46342	Brush Spring Set			

with convex side toward bearing

**Spindle Assembly**



Ref. No.	Catalog No.	Description	Ref. No.	Catalog No.	Description
1	34652	Rear Cover	22*	26937	Retaining Ring (9)
2	43347	Tool Mat	23	34757	Splash Guard
3*	43352	Screw (3)	24*	46785	Screw 10-32 x <sup>3</sup> / <sub>16</sub> (2)
4*	43357	Washer (3)	25	34762	Pivot Rod Pin (6)
5	34657	Top Cover w/Clips (Includes 2, 5, 6, 8)	26	34772	Front Pick-up Springs (3)
6*	43362	"J" Clip (6)	27	34777	Roll Pin (6)
7	34662	Front Cover	28	34782	Jaw Insert (3)
8*	43367	Screw (6)	29	34787	Front Jaw Spacer (6)
9	34672	Pivot Rod Support (2)	30*	34245	Retaining Ring (3)
10	34767	Pivot Rod (3)	31*	34792	Washer (3)
11	39567	Shoulder Screw/ $\leq$ -20 x 1 <sup>1</sup> / <sub>2</sub> (3)	32	40847	Front Jaw (Includes 26, 27, 28, 32, 33)
12	54290	Flat Washer (3)	33*	44557	Jaw Insert Screw (3)
13	35362	Spring (3)	34	45470	Bolt <sup>3</sup> / <sub>2</sub> -16 x 1 (5)
14	34702	Brake Shoe (3)	35	44225	Nut <sup>3</sup> / <sub>4</sub> -16 (5)
15	44552	Spindle Tube	36	34807	Rear Pick-up Spring (3)
16	34712	Rear Bearing	37	41347	Rear Jaw Set (Includes 36, 37, 38)
17	34717	Spindle Housing	38	34817	Pick-up Spring Pin (6)
18*	34722	Nut #10 (2)	39	34802	Rear Jaw Spacer (6)
19	34727	Front Bearing	—	46727	Hardware package (Includes items marked with *)
20	34732	Drive Sprocket w/Pins			
21	34742	Drive Chain w/Master Link			
	34747	Master Link			

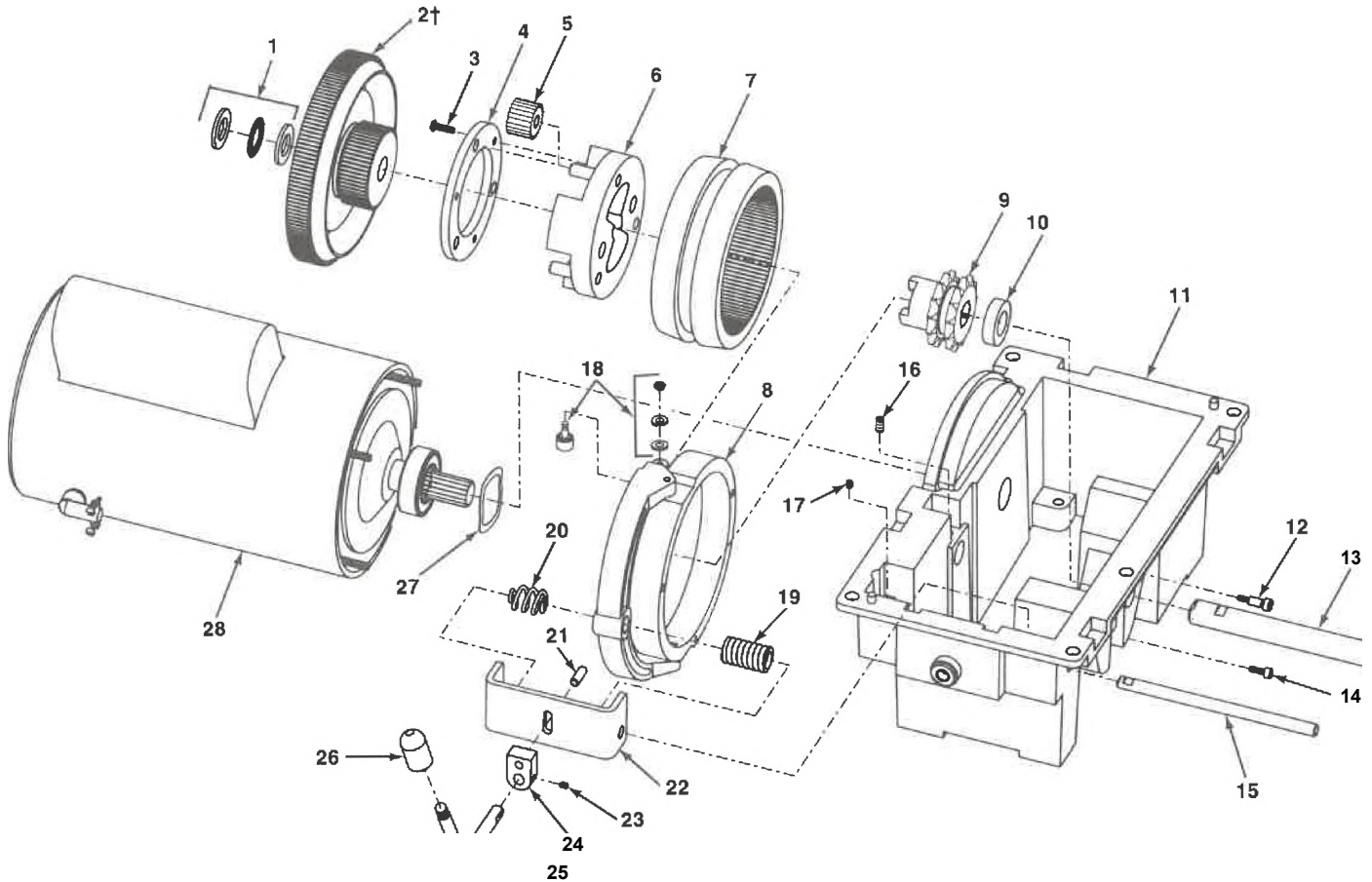
\*See Service Notes



# RIDGID Pipe & Bolt Threading Machine

**1822-1**  
**1822-IC**  
**1822-ID**

## Transmission and Motor - Induction

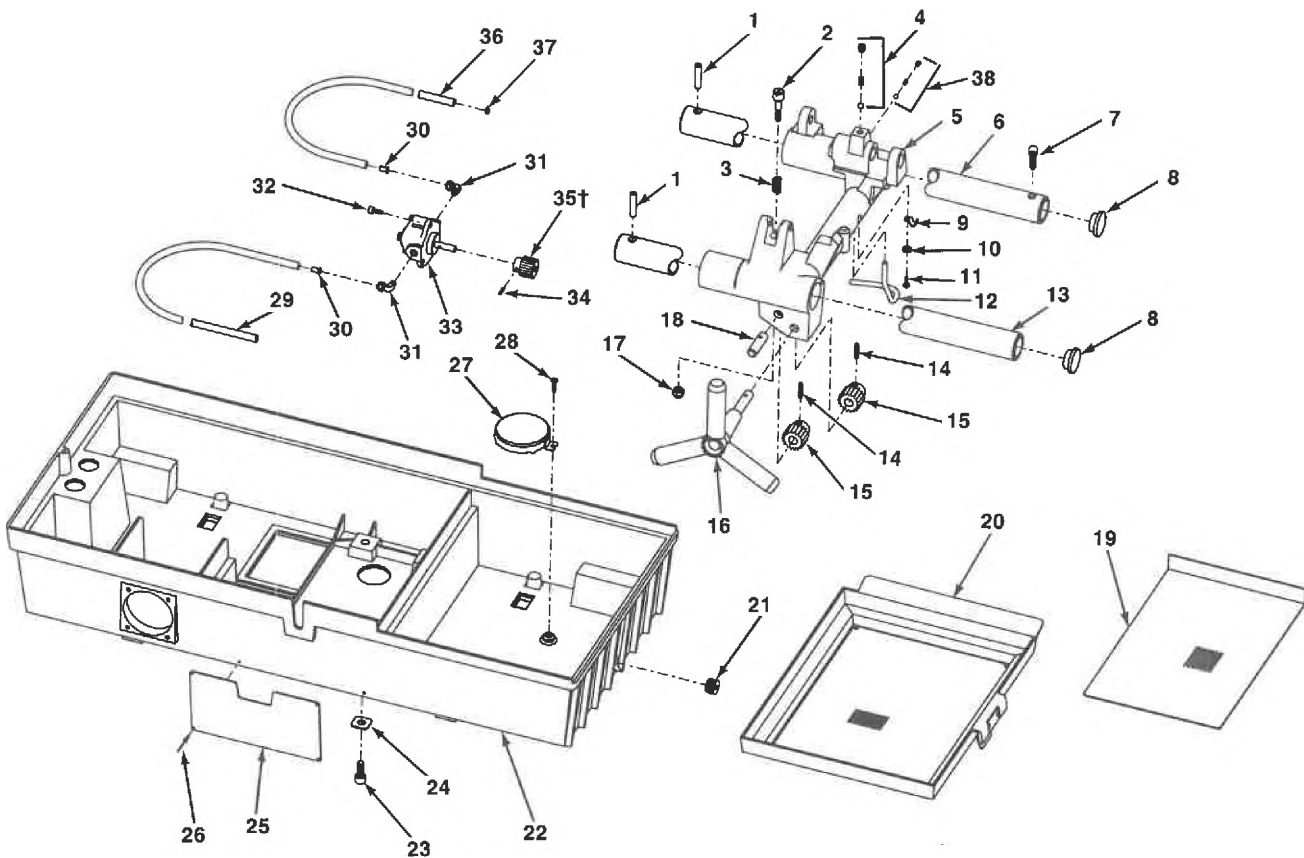


Ref. No.	Catalog No.	Description	Ref. No.	Catalog No.	Description
1	41425	Thrust Bearing w/Washer	18	44547	3/8" Cam Roller
2	44532	Input Gear 50 Hz	19	34902	1/2" Cam Roller
	44537	Input Gear 60 Hz	20	34907	Large Spring
3	27202	Screw 10-32 x 3/8 (2)	21	35362	Barrel Spring
4	34832	Spider Plate	22	44640	Dowel Pin
5	34837	Planet Gear	23	34912	Yoke Slide
6	34842	Planet Gear Spider w/Pins	24	34917	Set Screw 10-32 x 1/4
7	44527	Internal Ring Gear	25	34922	Driver
8	44542	Stationary Cup Assembly	26	34927	Shifter Lever
9	34862	Output Sprocket	27	34932	Knob
10	34867	Thrust Spacer	28	34942	Wavy Washer
11	34872	Transmission Housing		34947	Motor 120V 60 Hz
12	34877	Shoulder Screw 1/4-20 x 1 1/2 (2)		34952	Motor 240V 60 Hz
13	34882	Transmission Shaft		34957	Motor 110V 50 Hz
14	40260	Screw 10-24 x 1/2		34962	Motor 220/240V 50 Hz
15	34887	Shifter Shaft		34967	Motor 220V 50 Hz GS
16	34892	Set Screw 1/4-20 x 1/2		26707	Transmission Grease 1 lb. (2)
17	34897	Set Screw 10-32 x 1/4			

†Service Note: 60 Hz Input Gear #44537 also used on 40 RPM Denmark and UK Machines

See 1822 Service Notes

**Carriage and Oil System - Induction**



Ref. No.	Catalog No.	Description	Ref. No.	Catalog No.	Description
1	35037	Rail Pin (2)	22	35102	Base
2	35042	Stop Bolt		35262	Base (1822-IC)
3	35047	Stop Bolt Spring	23	46755	Bolt 3/8-16 x 1/6 (4)
4	46810	Detent Assembly	24	35107	Square Washer (4)
5	35147	Carriage (Includes 2, 3, 4, 5, 38)	25	36612	Warning Plate 60Hz
6	35152	Rear Rail		35267	Warning Plate 50Hz
7	34425	Screw V.-18 x 1/2		35312	Warning Plate (40 RPM)
8	35162	Rail Plug (2)	26	35222	Pop Rivet (2)
9	35062	Oil Line Clamp	27	27262	Oil Screen Assembly
10	45365	Washer #10	28	26797	Oil Screen Screw 10-32 x 1/2
11	79965	Screw 10-32 x 1/2	29	35112	Oil Intake Line 30"
12	35067	Oil Tube	30	35117	Oil Line Insert (2)
13	35167	Front Rail	31	35122	90 Degree Fitting (2)
14	34342	Roll Pin <small>vis</small> x 15/16 (2)	32	32145	Bolt 1/4-20 x 1/2(3)
15	35177	Carriage Pinion (2)	33	46857	Oil Pump
16	35182	Handwheel	34	39820	Pin
17	75110	Stop Nut 3/16-18	35†	35132	26 T Pump Gear - 50 Hz
18	35187	Pinion Idler Shaft		35197	24 T Pump Gear - 60 Hz
19	35192	Lower Screen	36	35137	Oil Supply Line 40"
20	35097	Draw Tray Assembly	37	35142	Hose Clamp
21	48337	Drain Plug	38	35307	Oil Pressure Relief

†Service Note: 24 Tooth (60Hz) Pump Gear used on 40 RPM De™ mark and UK Machines

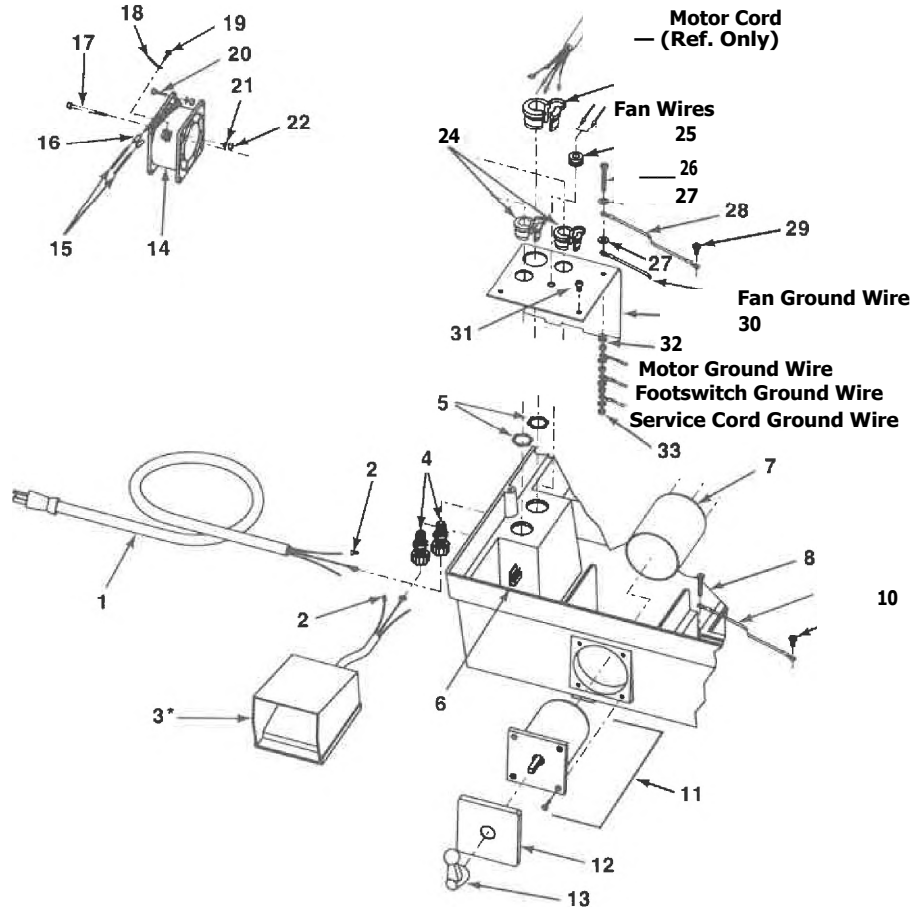
See 1822 Service Notes

# RIDGID Pipe & Bolt Threading Machine

**1822-I**  
**1822-IC**  
**1822-ID**

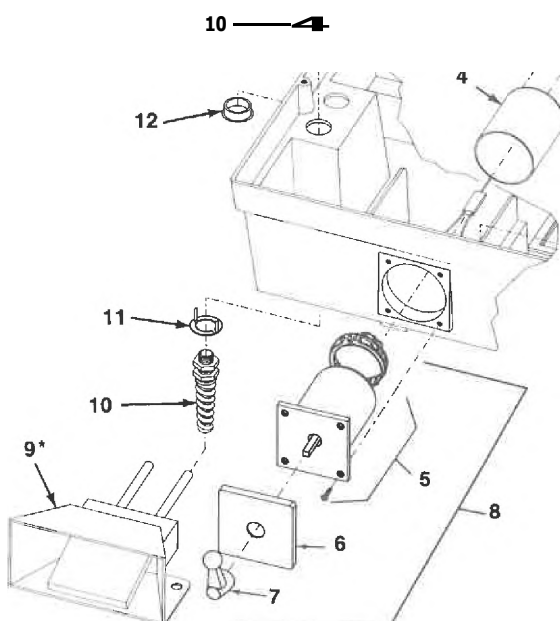
## Electrical Components 60 Hz Induction

Ref. No.	Catalog No.	Description
1	46740	Service Cord 120V
	46410	Service Cord 240V
2	36222	Wire Terminal
3*	36642	Footswitch 120/240V 60 Hz
4	68885	Cord Connector (2)
5	27157	Lock Nut (2)
6	35257	Wire Retainer
7	36257	Switch Cover
8		
9	33772	Ground Link
10	61110	Self-Tapping Screw
11	36207	Switch 120/240V 60 Hz
12	36212	Switch Front Plate
13	36217	Switch Lever
<b>CSA Models Only (Canada)</b>		
14	35232	Fan Assembly
15	35242	Fan Wire (2)
16	35237	Wire Connector (2)
17	35247	Screw 10-32 (2)
18	35227	Fan Ground Wire
19	45525	Screw
20	35302	Screw 8-32 (2)
21	85945	Ext. Tooth Washer (4)
22	76190	Hex Nut #8 (4)
<b>CSA Models and Early 1822</b>		
23	45985	Strain Relief
24	46735	Strain Relief (2)
25	35252	Grommet
26	27057	Screw
27	45365	Washer
28	33772	Ground Link
29	61110	Self Tapping Screw
30	36202	Junction Box Cover
31	46180	Screw (2)
32	46985	Ext. Tooth Lockwasher (4)
33	44695	Nut #10 (4)



\*Refer to Footswitch Model No. for Component Parts

## Electrical Components 50 Hz Induction



Ref. No.	Catalog No.	Description
1	36477	Connecting Cord 220/240V 50 Hz
	36482	Connecting Cord 220V 50 Hz GS
	36487	Connecting Cord 110V 50 Hz
2	34715	Self Tapping Screw
3	27407	Earth Link 220/240V 50 Hz, GS
	33607	Earth Link 110V 50 Hz
4	36257	Switch Cover
5	36492	Switch 50 Hz
6	36242	Switch Front Plate 220/240V 50 Hz
	36212	Switch Front Plate 110V 50 Hz
7	36217	Switch Lever
8	27192	Switch Assy (GS Only)
9*	36652	Footswitch 220/240V 50 Hz
	26106	Footswitch 110V 50 Hz
	26317	Footswitch 220V 50 Hz GS
	40022	Footswitch 220/240 50 Hz (Aust)
	40017	Footswitch 110/50 Hz (U.K.)
10	27187	Strain Relief w/Locknut
11	36247	Hole Adapter
12	36252	Hole Plug

\*Refer to Footswitch Model No. for Component Parts

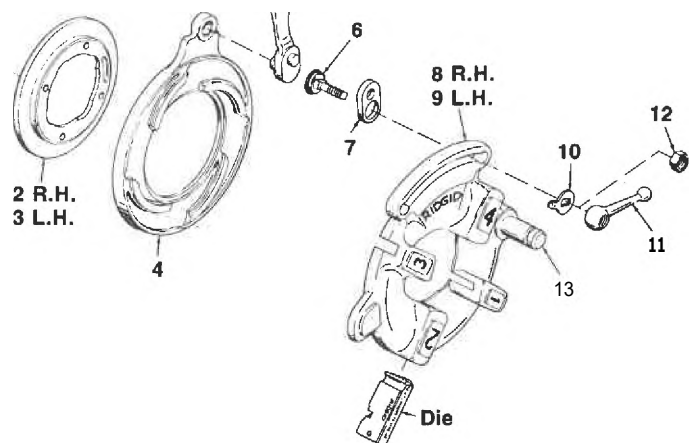
See 1822 Service Notes

**Quick-Opening  
Through-Head-Oiling Die Heads**

**811A NPT  
811A BSPT  
842**

**531 B**

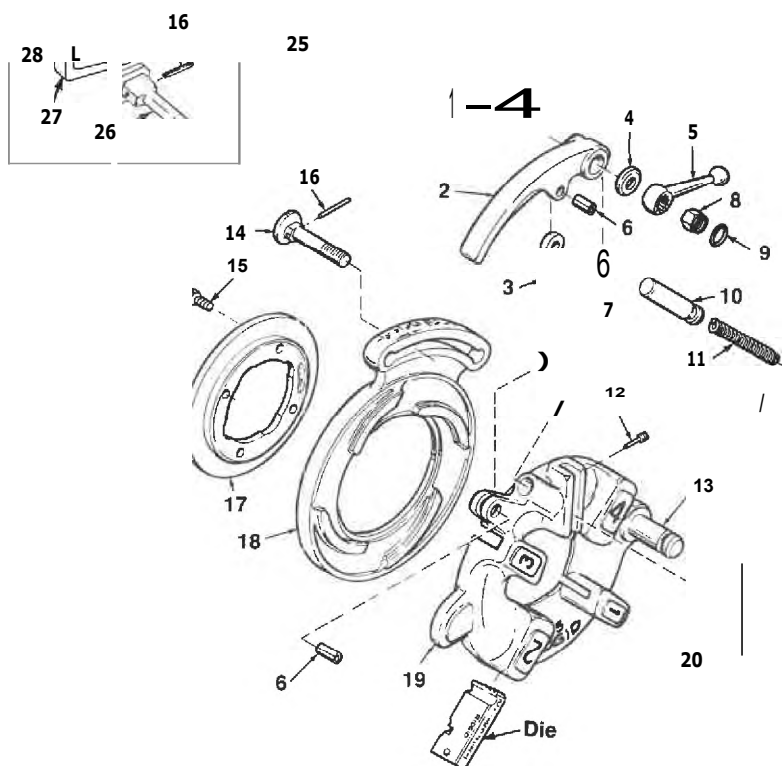
**532B**



Ref. No.	Catalog No.	Description
	97065	811A NPT Quick Opening (Through-Head-Oiling) Die Head (NPT RH)
	97070	842 Quick Opening (Through-Head-Oiling) Die Head (NPT LH)
	23282	811A BSPT Quick Opening (Through-Head-Oiling) Die Head (BSPT RH)
	97045	531 B Quick Opening Through-Head-Oiling) Die Head (1/4-1 Bolt RH/LH)
	97050	532B Quick Opening (Through-Head-Oiling) Die Head (174-2 Bolt RH/LH)
1	32205	Screw
2	97020	Retaining Ring RH (811A)
	46620	Retaining Ring RH/LH (531)
	46625	Retaining Ring RH/LH (532)
3	23292	Retaining Ring LH (842)
4	43360	Cam Plate (811A, 842)
	43405	Cam Plate (531)
	43410	Cam Plate (532)
5	46520	Throwout Lever (811A, 842)
	46555	Throwout Lever (531, 532)
6	39860	Lock Screw (811A, 842)
	39955	Lock Screw (531, 532)
7	39950	Link
8	40922	Head w/Post RH (811 A)
	97025	Head w/Post RH (851)
	97055	Head w/Post LH/RH (531)
	97060	Head w/Post LH/RH (532)
9	23287	Head w/Post LH (842)
10	39460	Lever Washer
11	39970	Clamp Lever
12		Hex Nut
13	15972	Post

**Self-Opening Die Heads**

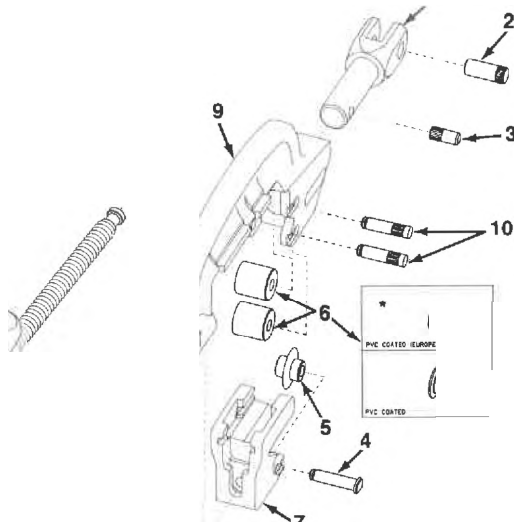
**815A NPT  
815A BSPT**



Ref. No.	Catalog No.	Description
-	97075	815A Self-Opening (Through-Head-Oiling) Die Head (NPT)
	97080	815A Self-Opening (Through-Head-Oiling) Die Head (BSPT)
1	44240	Bushing
2	43830	Throw-Out Lever
3	44265	Throw-Out Link
4	44245	Washer
5	44260	Clamp Lever
6	44270	Roll Pin (2)
7	45055	Insert
8	44250	Nut
9	44255	Retaining Ring
10	44275	Throw-Out Plunger
11	44280	Spring
12	44290	Trigger Screw
13	15972	Post
14	44235	Lock Screw
15	32205	Screw (4)
16	45050	Pin
17	97020	Retaining Ring
18	40942	Cam Plate (815A NPT)
	97040	Cam Plate (815A BSPT)
19	40932	Head w/Post
20	44285	Trigger Assembly
	32982	Adj. Trigger Assy.
	45327	Trigger Assy. Europe
21	45332	Gage Plate Assy.
22	46722	Adj. Lock Screw
23	46717	Gage Plate
24	47147	Screw
25	45332	Adj. Gage Plate Assy.
26	46722	Adj. Lock Screw
27	46717	Adj. Gage Plate
28	47147	Button Head Screw

See 1822 Service Notes

**No. 364 Cutter**

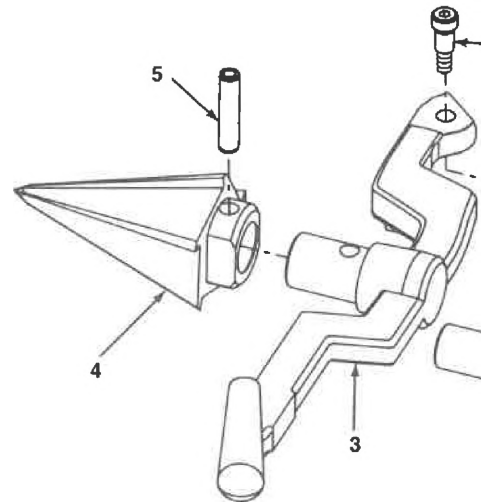


Ref. No.	Catalog No.	Description
	34617	364 Cutter Complete
1	45505	Support Arm
2	45520	Hinge Pin
3	35317	Retaining Pin
4	34780	Wheel Pin
5	44185	Cutter Wheel
6	46960	Roll (Steel) (2)
	43682	Roll PVC (2)
	23966	Roll PVC (Europe) (2)
7	36282	Wheel Housing
8	36287	Feed Screw Handle
9	36292	Cutter Frame
10	46662	Roll Pin (2)

Use with cutter wheel #33100

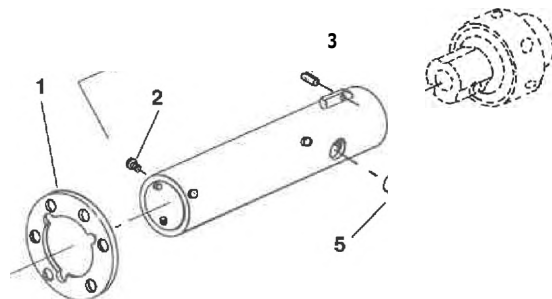
**No. 344 Reamer**

Ref. No.	Catalog No.	Description
	34612	344 Reamer Complete
1	36262	Shoulder Screw
2	36267	Pivot Pin
3	36272	Reamer Arm
4	36277	Reamer Cone (R.H.)
	46660	Reamer Cone (L.1-1. & t.H.)
5	35355	Split Roll Pin

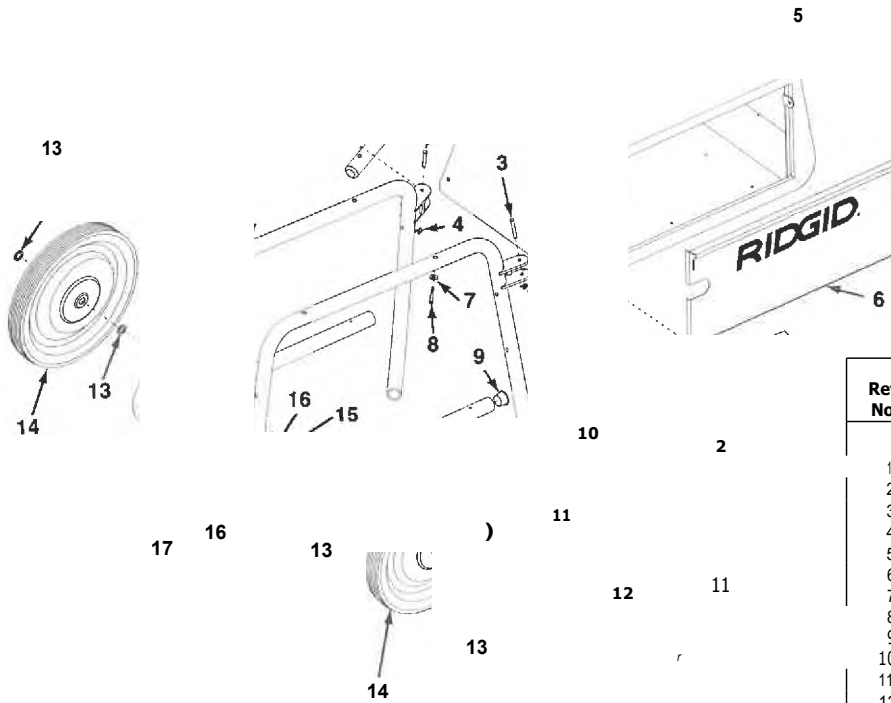


**No. 839 Nipple Chuck**

Ref. No.	Catalog No.	Description
	35867	No. 839 Adaptor Kit
1	47497	Pivot Rod Support
2	47040	Drive Screw (6)
3	47502	Roll Pin
4	47507	Tube Assembly
5	47512	Pin, a/4" x 2 3/4"

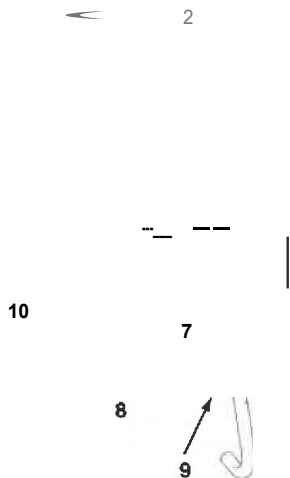


**1402 Wheel and Cabinet Stand**



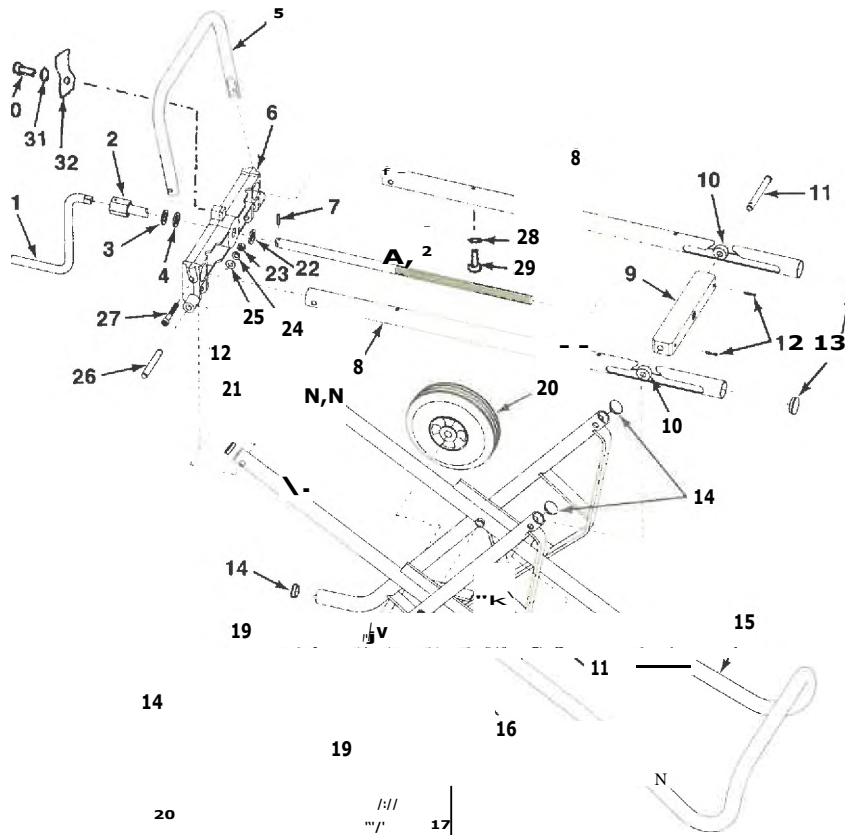
Ref. No.	Catalog No.	Description
	20100	1402 Wheel and Cabinet Stand
1	36297	Rear Leg
2	27462	Handle (2)
3	27447	Hinge Pin (2)
4	41270	"X" Washer (2)
5	36302	Cabinet
6	36307	Door
7	26947	Flat Washer (4)
8	46775	Screw $\frac{1}{4}$ -20 x $1\frac{1}{2}$ (4)
9	36312	Cap (2)
10	36317	Front Leg
11	47030	Cotter Pin (2)
12	36322	Axle
13	47180	Flat Washer (4)
14	27442	Wheel (2)
15	75110	Lock Nut $\frac{5}{8}$ A6-18 (14)
16	35055	Flat Washer VI 6 (28)
17	36327	Bolt $\frac{7}{16}$ -18 x $2\frac{1}{4}$ (14)

**1404 Leg and Tray Stand**



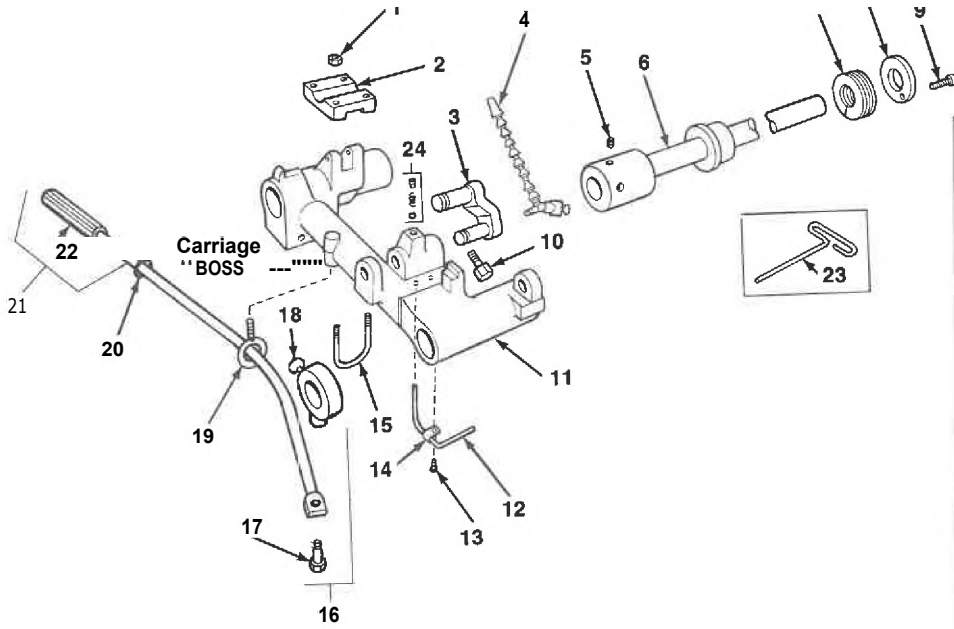
Ref. No.	Catalog No.	Description
	20110	1404 Leg and Tray Stand
	20115	1408 Leg Stand
1	36457	Rear Leg
2	36462	Tool Tray
3	36467	Support Strap (Leg Stand Only) (2)
4	36327	Bolt $\frac{5}{8}$ A6-18 x $2\frac{1}{4}$ (8)
5	35055	Flat Washer VI 6 (8)
6	26947	Flat Washer $\frac{1}{4}$ (4)
7	46775	Screw $\frac{1}{4}$ -20 x $1\frac{3}{4}$ (4)
8	75110	Lock Nut $\frac{5}{8}$ A6-18 (8)
9	40770	Lock Washer $\frac{5}{8}$ A6 (8)
10	36472	Front Leg

1406 Folding Wheel Stand



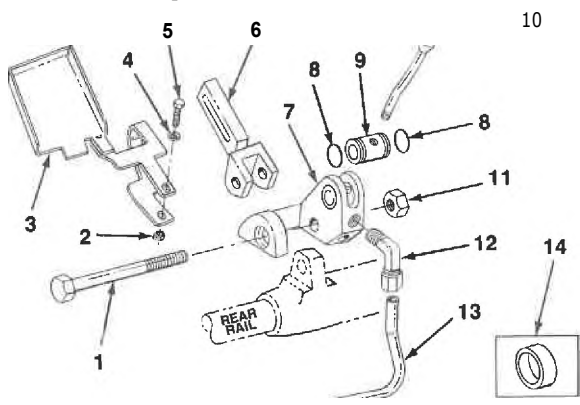
Ref. No.	Catalog No.	Description
	20105	1406 Folding Wheel Stand
1	36332	Crank Handle
2	36337	Screw Shaft
3	36342	Thrust Spacer
4	36347	Nylon Bearing
5	36352	Rear Handle
6	36357	Brace
7	36362	Groove Pin
8	36367	Mounting Rail (2)
9	36372	Traverse Yoke
10	36377	Roller (2)
11	36382	Yoke Pin (2)
12	36387	Roll Pin $\frac{3}{16} \times 1$ (4)
13	36392	Mounting Rail Cap (2)
14	36397	Pivot Assembly Cap (4)
15	36402	Support Handle
16	36407	Pivot Assembly
17	36412	Pivot Shaft
18	83420	Flat Washer $\frac{1}{2}$ " (2)
19	47030	Cotter Pin $\frac{1}{8} \times 1$ (4)
20	93325	Wheel (2)
21	36417	Handle Cap (2)
22	35272	Flat Washer $\frac{3}{4}$ " (2)
23	44225	Nut $\frac{1}{4}$ -16 (2)
24	40930	Lock Washer $\frac{1}{4}$ " (2)
25	59970	Flat Washer $\frac{1}{2}$ " (2)
26	36422	Hinge Pin (2)
27	36427	Screw $\frac{3}{8}$ -16 $\times$ $3\frac{1}{2}$ (2)
28	26947	Flat Washer $\frac{1}{4}$ " (4)
29	46775	Screw $\frac{1}{4}$ -20 $\times$ $1\frac{3}{4}$ " (4)
30	35322	Cap Screw 10-32 $\times$ $\frac{1}{4}$ "
31	35327	Spring Clip
32	45175	Lock Washer

No. 241 Carriage Mount Kit Parts



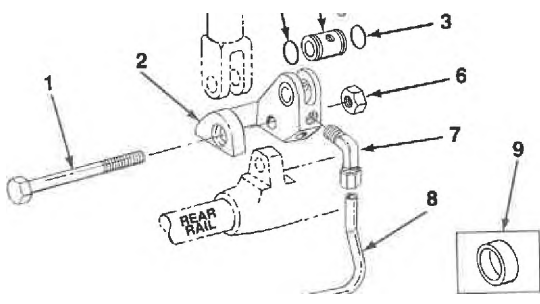
Ref. No.	Catalog No.	Description
1	96730	Hex Nut, 5/16-18
2	36177	Saddle
3	36182	Connecting Link
4	35277	Coolant Nozzle
5	39775	Set Screw, 3/4-11
6	36187	Drive Bar
7	36192	Spring
8	36197	End Cap
9	27357	Cap Screw, 1/4-20 x
10	35202	Sq. Hd. Set Screw, 1/2 13
11	35052	Carriage
12	35067	Oil Supply Line
13	79965	Screw, 10-32 x 1/2
14	35062	Oil Line Clamp
15	35207	U-Bolt
16	35282	Collar Assembly
17	46210	Shoulder Bolt
18	46220	Thumb Screw
19	35082	Eye Bolt
20	35092	O-Ring
21	43400	Lever Arm Assembly
22	46235	Hand Grip
23	35212	Hex Wrench
24	46810	Detent Assembly

No. 822 Blade Cutter Adapter Kit Parts



Ref. No.	Catalog No.	Description
	35872	822 Adaptor Kit
1	16662	1/2-13 x 3 1/2 Hex Hd Bolt
2	83890	1/4 x 20 Hex Nut
3	36142	Drip Guard
4	27097	Washer
5	35012	1/4-20 x 2 1/2 Screw
6	36137	Cutter Arm
7	41087	Pivot Block
8	44470	O-Ring (2)
9	44340	Oil Shut-Off Plug
10	45845	Oil Spout
11	44745	1/2-13 Nut
12	41092	Male Elbow 90°
13	41097	Oil Supply Tube
14	41102	Stop Ring

307A Oil Spout Assembly



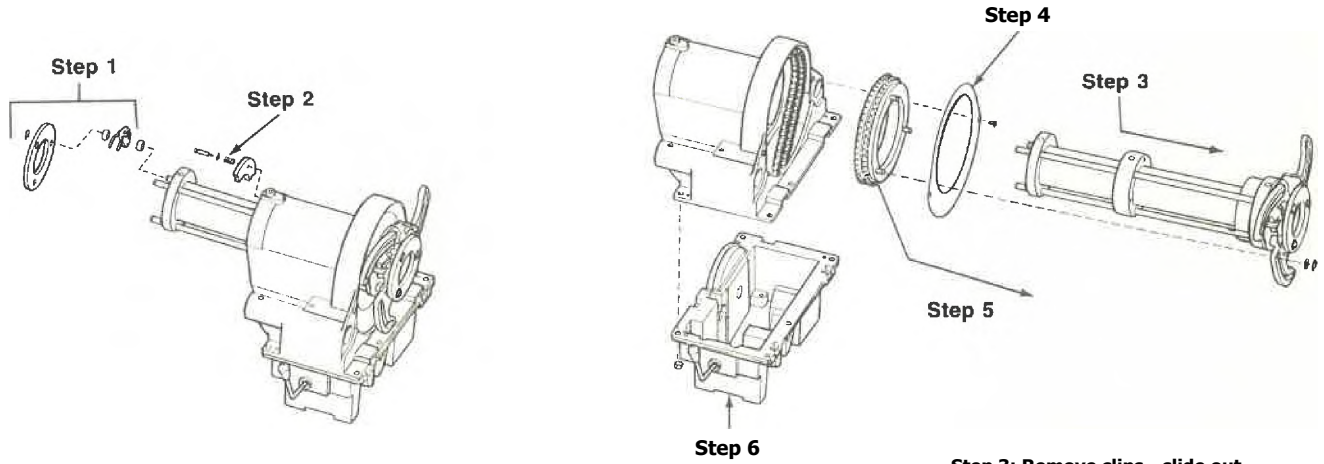
Ref. No.	Catalog No.	Description
	36602	307A Oil Spout Assembly
1	16662	1/2-13 x 3 1/2 Hex Hd Bolt
2	41087	Pivot Block
3	44470	O-Ring (2)
4	44340	Oil Shut-Off Plug
5	45845	Oil Spout
6	44745	1/2-13 Nut
7	41092	Male Elbow 90°
8	41097	Oil Supply Tube
9	41102	Stop Ring



# SERVICE NOTES

1822

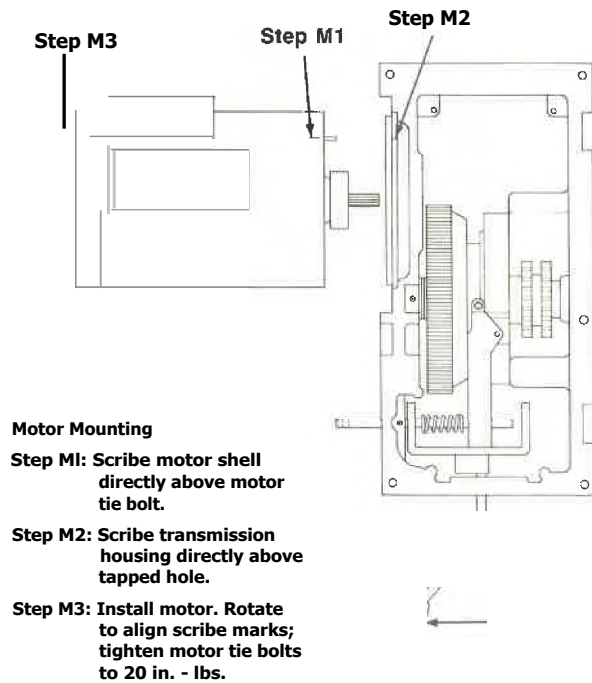
## Power Assembly/Drive Assembly Separation Procedure



- Step 1:** Remove Rear Centering Device.
- Step 2:** Remove Brake Shoes (3).

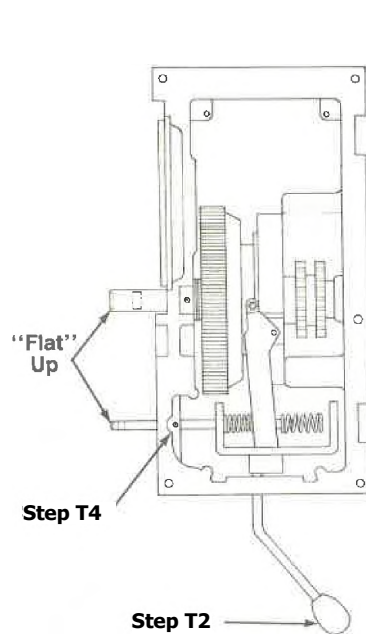
- Step 3:** Remove clips - slide out Spindle Assembly.
- Step 4/5:** Remove Splash Guard and Sprocket.
- Step 6:** Separate housings.

## Motor Mounting and Transmission Shifter Assembly (Induction Only)



**Motor Mounting**

- Step M1:** Scribe motor shell directly above motor tie bolt.
- Step M2:** Scribe transmission housing directly above tapped hole.
- Step M3:** Install motor. Rotate to align scribe marks; tighten motor tie bolts to 20 in. - lbs.



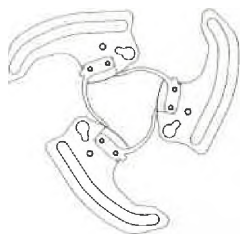
**Transmission Shifter Assembly**

- Step T1:** Rotate shift lever to left and install small (short) spring over shifting shaft.
- Step T2:** Rotate shift lever to right and install large (long) spring.
- Step T3:** (Not shown) Rotate shift lever to center (upright) position and finish installing shaft.
- Step T4:** Tighten set screw.
- Note:** Install "flat" on shafts UP.

**Right Hand**

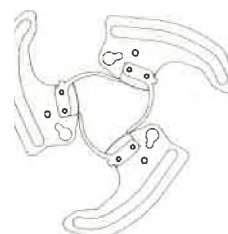
**Jaw Orientation**

**Left Hand**



**Front**

**Rear**



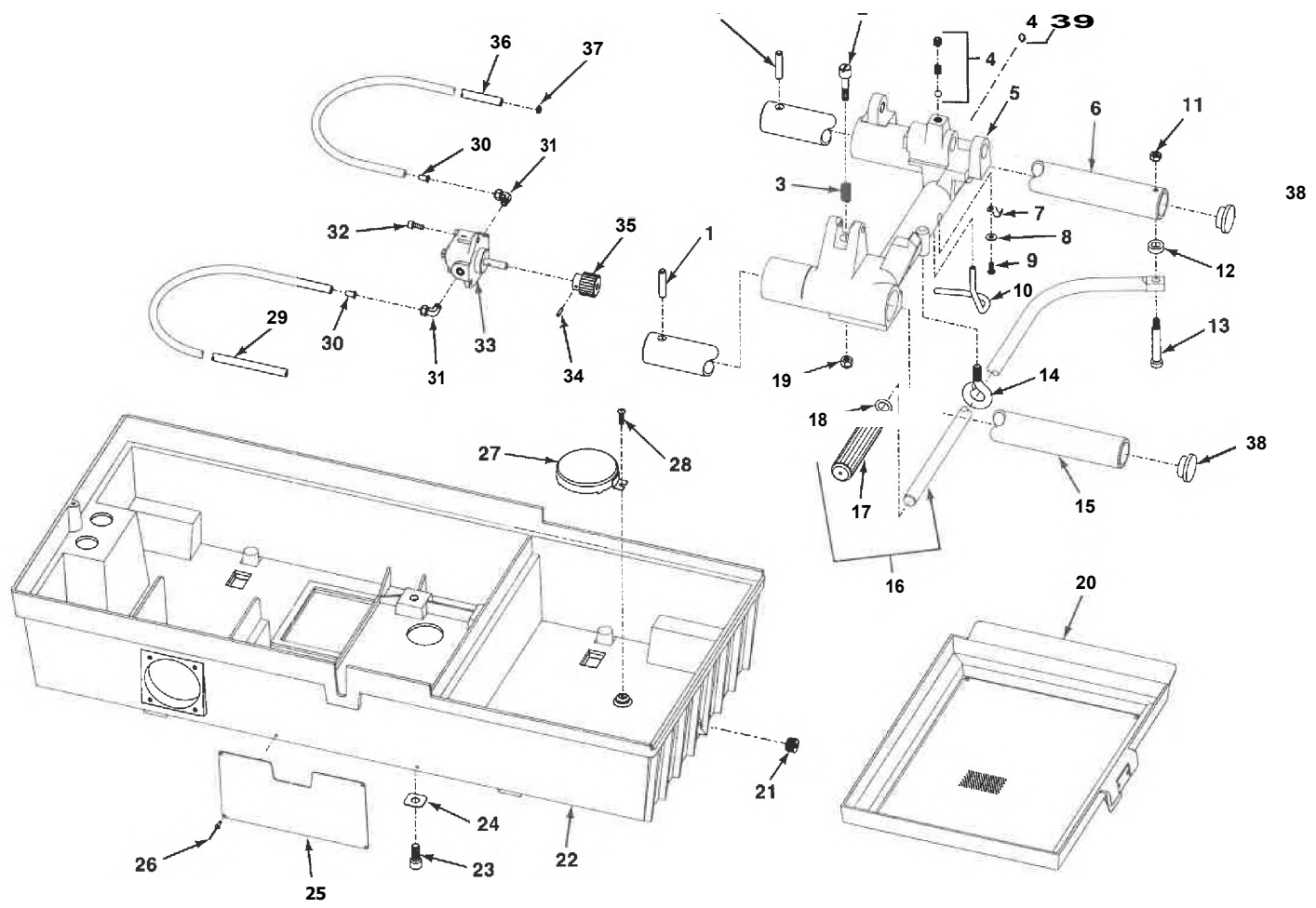
**Front**

**Rear**

# RIDGID Pipe & Bolt Threading Machine

# 1822-U 1822-UG

## Carriage and Oil System - Universal



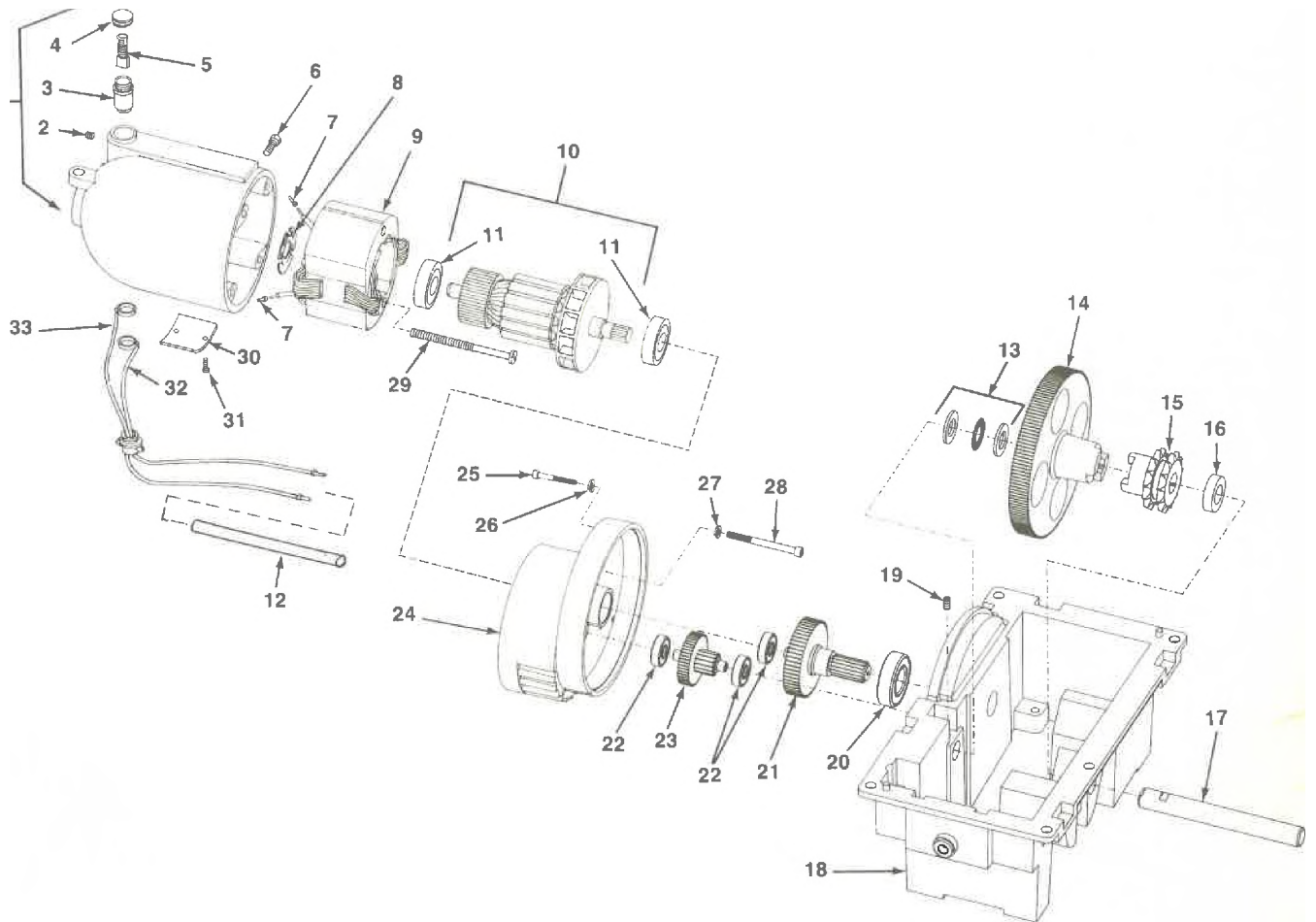
Ref. No.	Catalog No.	Description	Ref. No.	Catalog No.	Description
1	35037	Rail Pin (2)	21	44485	Drain Plug
2	35042	Stop Bolt	22	35102	Base
3	35047	Stop Bolt Spring	23	46755	Bolt $\frac{1}{4}$ -16 x $\frac{7}{8}$ (4)
4	46810	Detent Assembly	24	35107	Square Washer (4)
5	35052	Carriage Includes 2, 3, 4, 5, 39	25	36432	Warning Plate
6	35057	Rear Rail	26	35222	Pop Rivet (2)
7	35062	Oil Line Clamp	27	27262	Oil Screen Assembly
8	45365	Washer #10	28	26797	Oil Screen Screw
9	79965	Screw 10-32 x $\frac{1}{2}$	29	35112	Oil Intake Line 30"
10	35067	Oil Tube	30	35117	Oil Line Insert (2)
11	88075	Jam Nut $\frac{5}{16}$ -18	31	35122	90 Degree Fitting (2)
12	35072	Washer	32	32145	Bolt $\frac{1}{4}$ -20 x $\frac{1}{2}$ (3)
13	35077	Shoulder Bolt $\frac{1}{4}$ -16 x 2	33	35127	Oil Pump
14	35082	Eye Bolt	34	39820	Pin
15	35087	Front Rail	35	35132	26 T Pump Gear
16	43400	Lever Arm Assembly	36	35137	Oil Supply Line 40"
17	46235	Hand Grip	37	35142	Hose Clamp
18	35092	O-Ring	38	35162	Rail Plug (2)
19	75110	Stop Nut $\frac{5}{16}$ -18	39	35307	Oil Pressure Relief
20	35097	Draw Tray Assembly			

See 1822 Service Notes

# R1DGID Pipe & Bolt Threading Machine

# 1822-U 1822-UG

## Transmission and Motor - Universal

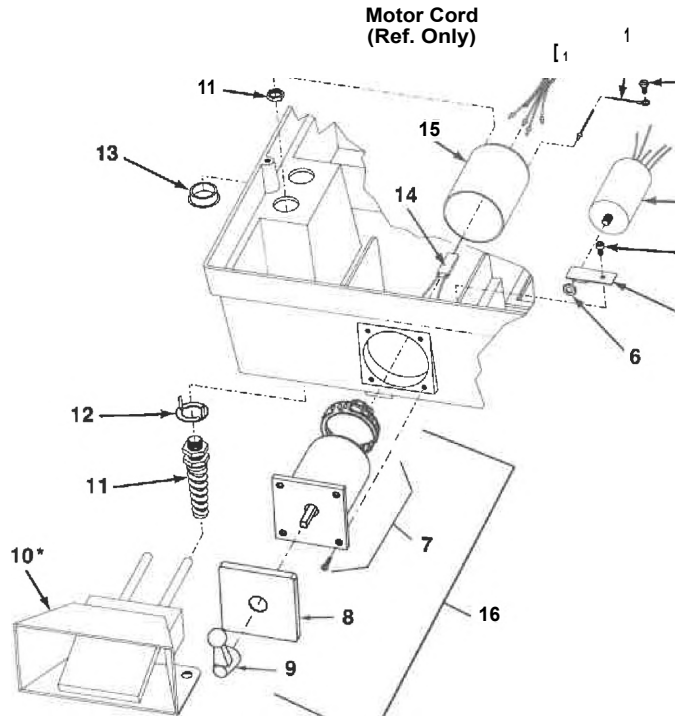


Ref. No.	Catalog No.	Description	Ref. No.	Catalog No.	Description
1	43160	Motor Housing Assembly	18	34987	Transmission Housing
2	39770	Set Screw 1/4-20 x 1/4 (2)	19	34892	Set Screw 1/4-20 x 1/2
3	45025	Brush Holder (2)	20	45315	Bearing
4	44545	Brush Cap (2)	21	34992	Drive Gear Assembly
5	34972	Motor Brush (2)	22	45060	Bearing (3)
6	83500	Field Locking Screw	23	34997	Intermediate Gear Assembly
7	26322	Wire Terminal (4)	24	35002	Motor Adapter Plate
8	44580	Loading Spring	25	35007	Screw 10-32 x 1 1/2 (3)
9	44015	Field - 115V	26	45175	Lock Washer #10 (3)
	44035	Field - 230V	27	44740	Lock Washer 1/4 (4)
	35332	Field - 48V	28	45075	Screw 1/4-20 x 3 (4)
10	44010	Armature - 115V	29	44555	Mounting Screw (2)
	44030	Armature - 230V	30		Motor Nameplate 8187
	35337	Armature - 48V			Motor Nameplate 8287
11	44565	Armature Bearing (2)			Motor Nameplate 8488
12	46880	PVC Tube (1822-UG)	31	46870	Drive Screw (2)
13	41425	Thrust Bearing	32	35027	Red Brush Lead
14	34982	Input Gear		35347	Red Brush Lead 48V
15	34862	Output Sprocket	33	35032	White Brush Lead
16	34867	Thrust Spacer		35352	White Brush Lead 48V
17	34882	Transmission Shaft		26707	Transmission Grease 1 lb. (2)

See 1822 Service Notes

# RIDGID Pipe & Bolt Threading Machine

## Electrical Components Universal



Ref. No.	Catalog No.	Description
1	27407	Earth Link
2	34715	Self Tapping Screw
3	99170	Filter (S. Africa Only)
4	46180	Screw
5	36227	Filter Bracket
6	36232	Jam Nut
7	36237	Switch
8	36242	Switch Front Plate
9	36217	Switch Lever
10*	36652	Footswitch
	40017	Footswitch (UK)
	40022	Footswitch (Aust)
	26317	Footswitch (1822-UG)
	36657	Footswitch (48V)
11	27187	Strain Relief w/Locknut
12	36247	Hole Adapter
13	36252	Hole Plug
14	36502	Suppressor (230 V Only)
15	36257	Switch Cover
16	27192	Switch Assy. (1822-UG)

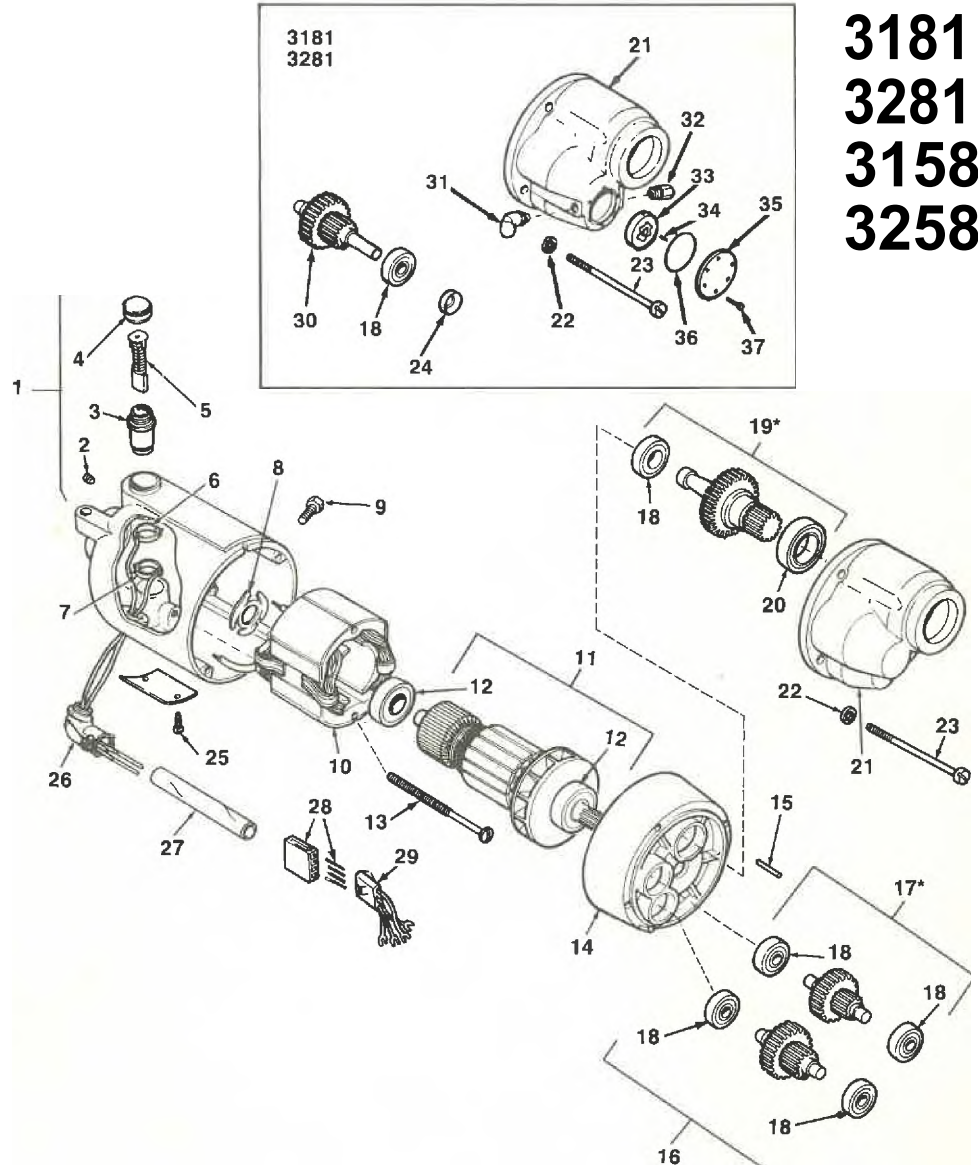
\* Refer to Footswitch Model No. for Component Parts

See 1822 Service Notes

**RIDGID Motor**

**3177  
3277  
3181  
3281  
3158  
3258**

Ref. Catalog No.	No.	Description
	96810	Motor 3181 (115V)
	96975	Motor 3281 (230V)
1	43160	Housing Assembly
2	39770	Set Screw (2)
3	45025	Brush Holder Set
4	44545	Brush Cap Set
5	44540	Brush Assembly Set
6	86680	White Upper Lead
7	86685	Red Lower lead
8	44580	Loading Spring
9	83500	Locking Screw (2)
10	86690	Field (115V)
	86705	Field (230V)
11	44010	Armature (115V)
	44030	Armature (230V)
12	44565	Armature Bearing (2)
13	44555	Mounting Screw (2)
14	43165	Fan Housing Assembly
15	45165	Dowel Pin
16	See Chart 1st Gear Assembly (300)	
17*	See Chart 2nd Gear Assembly	
18	45060	Gear Bearings (5)
19*	See Chart Drive Gear	
20	45315	Front Bearing
21	96830	Gear Housing (300A, 304 Retrofit)
	42875	Gear Housing (300, 950, K-2000)
22	45150	Lock Washer 'A' (4)
23	45075	Screw V-20 (4)
24	96880	Oil Seal
25	85920	Pop Rivets (2)
26	46900	Connector 90
27	86700	PVC Tube
	45415	Conduit (3158)
28	87955	Receptacle w/Pins
29	86675	Outlet Jumper
30	97000	1st Gear Assembly (300A), (38/57 RPM)
	97005	1st Gear Assy (300A), (77RPM)
	97010	1st Gear Assy (300A), (108 RPM)
31	96910	Male Elbow
32	46830	Male Connector
33	96870	Gerotor Set
34	96885	Pin
35	96840	Cover Plate
36	96875	"0" Ring
37	96890	Screw (6)
	41620	Gear head grease - 11b. can

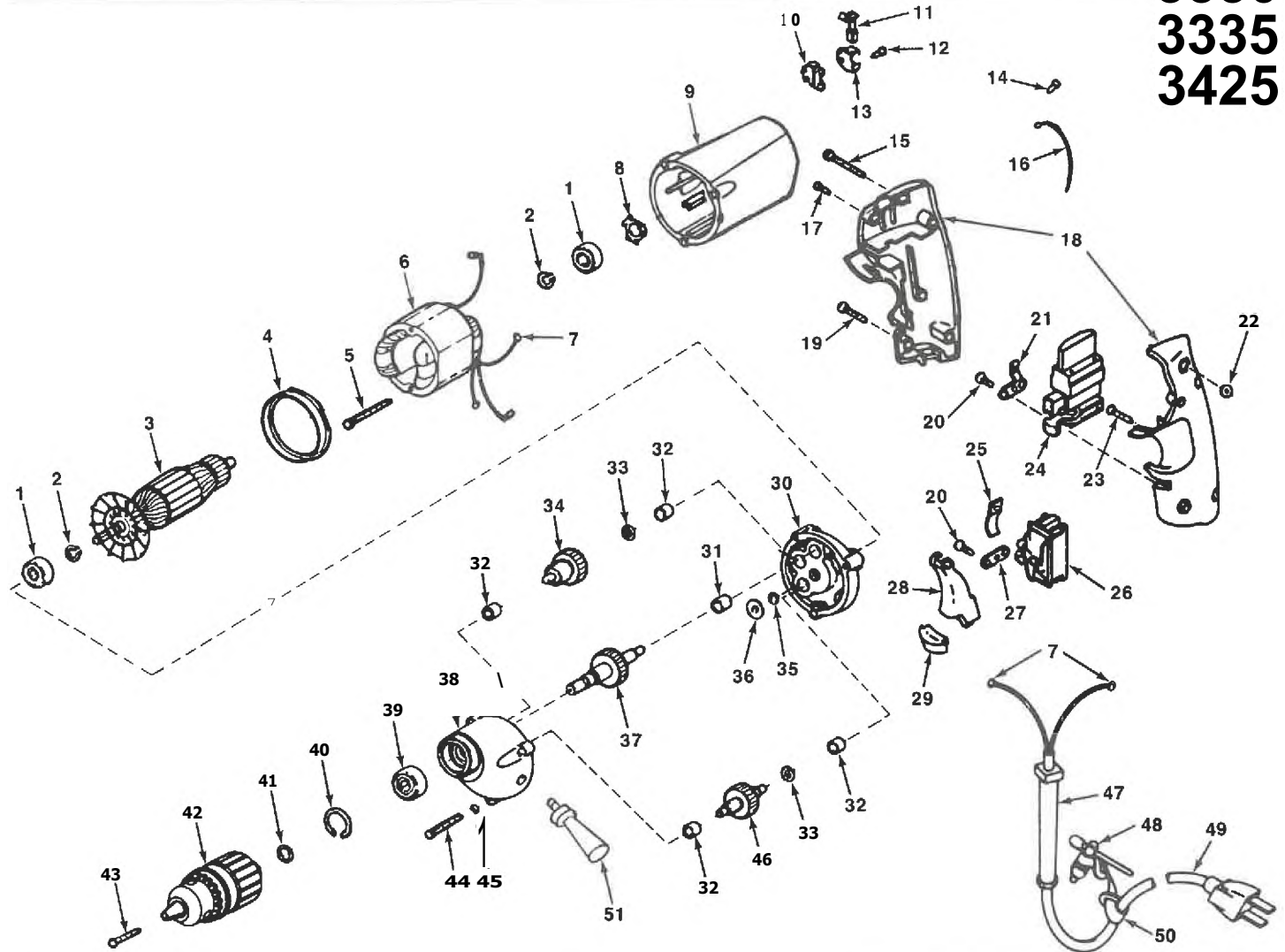


**NOTE: Order parts by Catalog Number only. DO NOT order by Reference Number.**

**SPEED CHANGE GEAR CHART**

Motor Model No.	Motor Model No.	Volts	Spindle Ref. Speed # 11	Ref No. 16 1st Intermediate Gear Assembly	Ref. No. 17 2nd Intermediate Gear Assembly	Ref. No. 19 Drive Gear
87740	3177	115V	38 STD.	PART NO 44985 (E-2600-X) 51 T. GEAR 12 T. PINION	PART NO. 45005 (E-2601-X) 42 T. GEAR 13 T. PINION	PART NO. 45370 (E-3283-X) 48 T.
87780	3277	230V				
87750	3177A	115V	57	PART NO. 44985 (E-2600-X) 51 T. GEAR 12.T PINION	PART NO. 44990 (E-2601-AX) 42 T. GEAR 18 T. PINION	PART NO. 45375 (E-3284-X) 43 T.
87790	3277A	230V				
87760	3177B	115V	77	PART NO. 44975 (E-2600-BX) 51 T. GEAR 15 T. PINION	PART NO. 44995 (E-2601-BX) 39 T. GEAR 18 T.PINION	PART NO. 45375 (E-3284-X) 43 T.
87800	3277B	230V				
87770	3177C	115V	108	PART NO. 44980 (E-2600-CX) 51 T. GEAR 19 T. PINION	PART NO. 45000 (E-2601-CX) 35 T. GEAR 18 T. GEAR	PART NO. 45375 (E-3284-X) 43 T.
87810	3277C	230V				

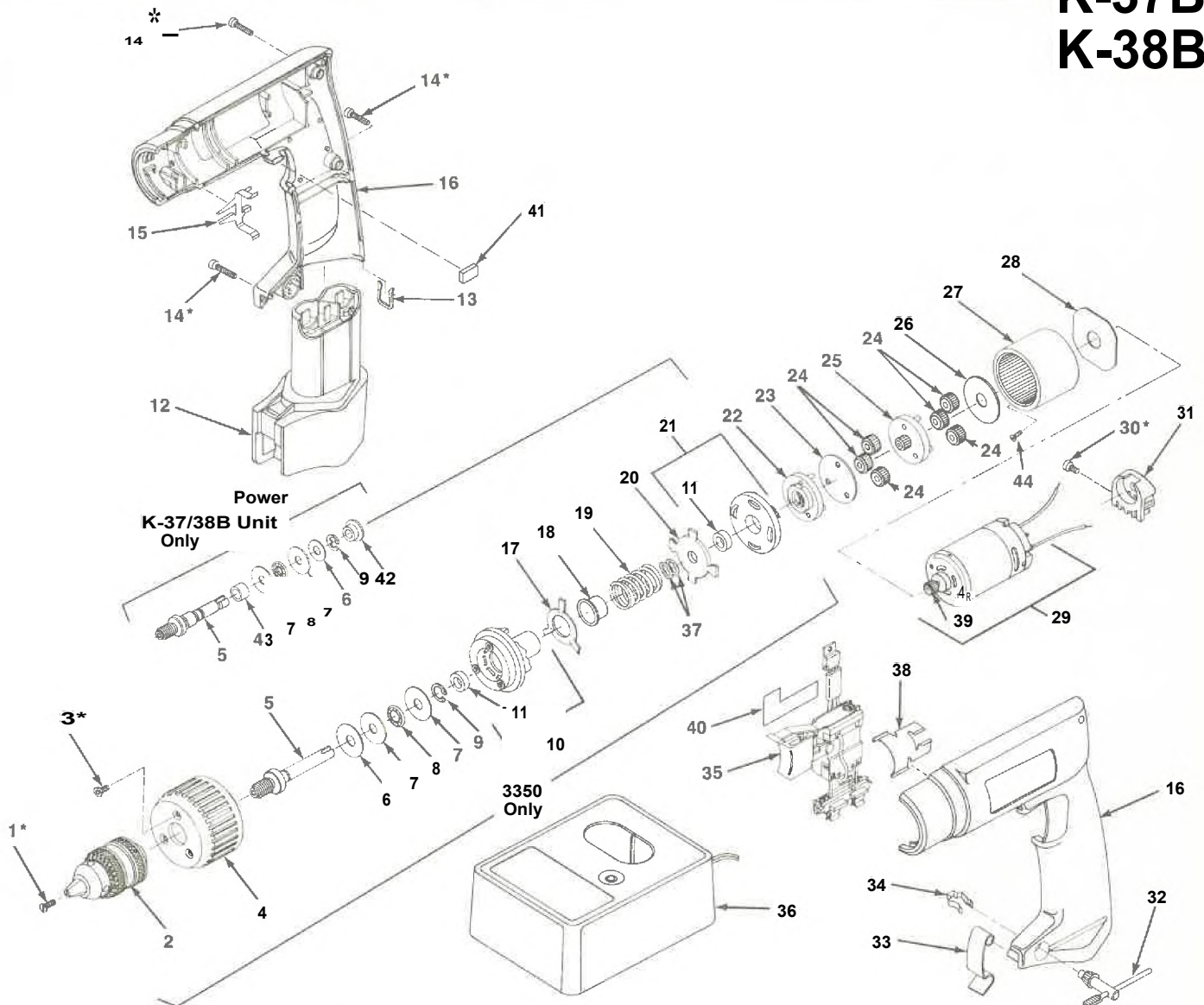
\* For 300A: 2nd Intermediate or Drive Gear Use Gear Chart.



Ref. No.	Catalog No.	Description	Ref. No.	Catalog No.	Description	Ref. No.	Catalog No.	Description
1	18167	Armature Bearing	23	18187	Screw		29852	Gear Housing Assy (3330, 3335, 3425) T-3
2	18297	Ring	24	18137	Switch (3225, 3335, 3425)	39	18252	Bearing
3	18112	Armature (3225)		31562	Switch (3225 T-2, 3335 T-3, 3425 T-3)	29872		Bearing T-2
	18327	Armature (3330, 3335, 3425)	25	18372	Switch Clamp (3330)	40	18302	Snap Ring
4	18212	Baffle	26	18332	Switch (3330)	29887		Snap Ring T-2
5	18162	Screw	27	78680	Cord Clamp (3330) 3225, T1	41	18307	Spacer
6	18117	Field	28	18347	Actuator (3330)	29892		Spacer T-2
7	78650	Terminal		18202	Actuator (3225, 3335, 3425)	42	18102	1/4" Chuck (3225)
8	18172	Loading Spring	29	18352	Handle insert (3330)	18317		3/4" Chuck (3330, 3335) T-2
9	18157	Motor Housing	30	18152	Intermediate Housing Incl. Ref. No. 1, 31, 32	29877		3/4" Chuck (3330, 3335) T-3
10	18132	Brush Insulator	31	18237	Needle Bearing	18387		1/2" Chuck (3425) T-2
11	18122	Brush	32	18222	Needle Bearing	28477		1/2" Chuck (3425) T-3
12	18292	Brush Holder Screw	33	18217	Washer	18107		Chuck Screw (3225)
13	18127	Brush Holder	34	18357	Idler Assy (3330, 3335, 3425)	18322		Chuck Screw (3335) T-2
14	18282	Screw		18227	Idler Assy (3225) Spur/Helical	18392		Chuck Screw (3425) T-2
15	18182	Screw	35	18242	O-Ring	28482		Chuck Screw (3335, 3425)1-3
16	18277	Lead Assembly	36	18247	Slinger	44	18907	Screw
17	18192	Screw	37	18232	Spindle Assy (3225)	45	18257	Lockwasher
18	18342	Handle Assy. (3330) Incl. Ref. No. 15, 17, 19, 22, 23, 25, 28, 29		18367	Spindle Assy (3330) T-2	46	18362	Idler Assy (3330, 3335)
	18177	Handle Assy. (3225, 3335 T-2, 3425 T-2) Incl. Ref. No. 15, 17, 19, 22, 23, 28		29857	Spindle Assy (3330) T-3	18397		Idler Assy (3425) Spur/Spur
	31567	Handle Assy. (3225 T-2, 3335 T-3, 3425 T-3) Incl. Ref. No. 15, 17, 19, 22, 23, 28		18382	Spindle Assy (3335) T-2	47	18207	Strain Relief
19	18262	Screw		29862	Spindle Assy (3335) T-3	48	18272	Chuck Key (3225)
20	78690	Screw		18402	Spindle Assy (3425) T-2	18917		Chuck Key (3330, 3335) T-2
21	18197	Cord Clamp (3225, 3335, 3425)		29867	Spindle Assy (3425) T-3	29882		Chuck Key (3330, 3335) T-3
22	18287	Nut	38	18147	Gear Housing Assy (3225)	18407		Chuck Key (3425)
				18337	Gear Housing Assy (3330, 3335, 3425) T-2	49	18142	Cord
						50	18267	Key Holder
						51	18377	Aux. Hdle.

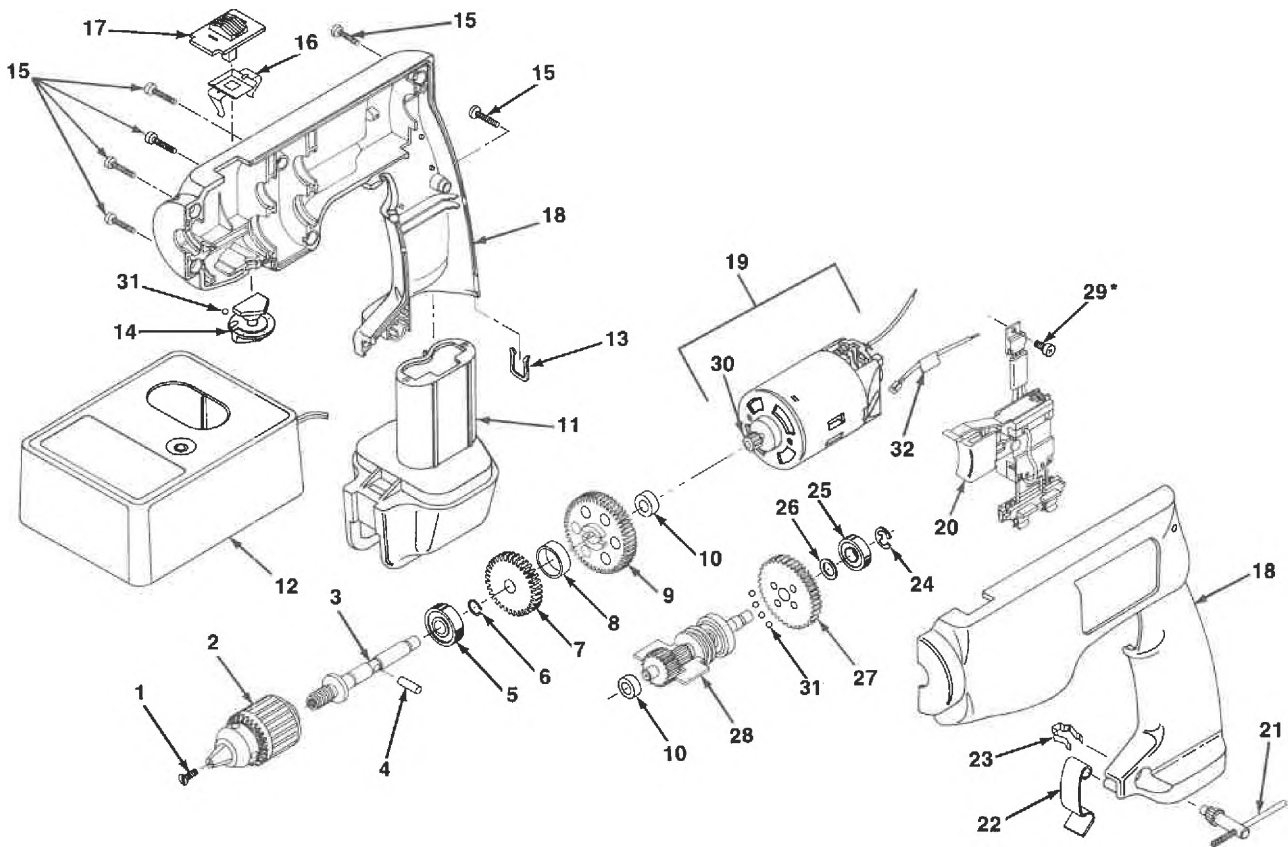
# RIDGID 3350 7.2V Cordless Drill/K-37/K-38B Power Unit

# 3350 K-37B K-38B



Refer to Model K-37B and K-38B Parts Lists for main drive components.

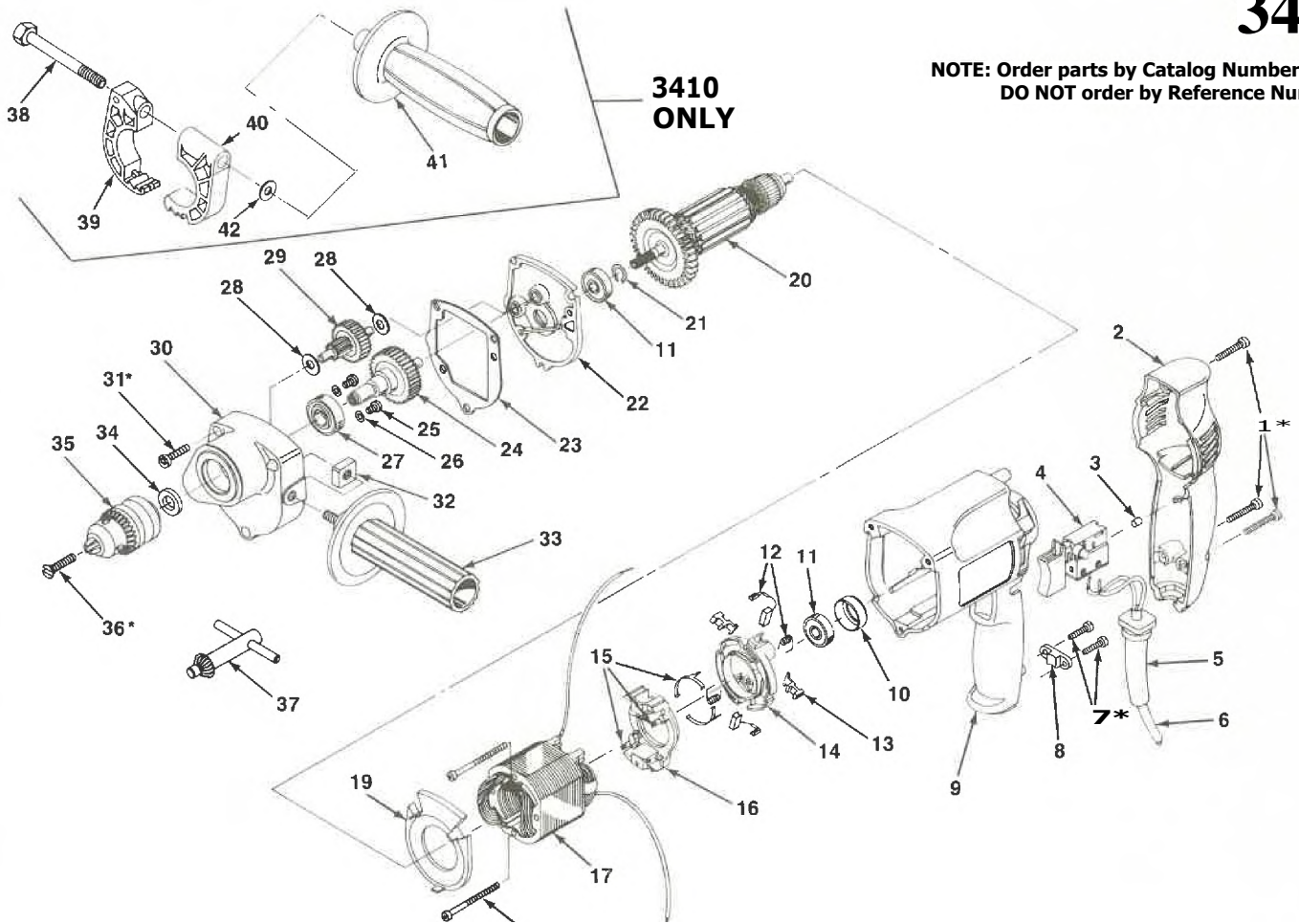
Ref. No.	Catalog No.	Description	Ref. No.	Catalog No.	Description
1*	42402	Screw (3350) (*LH. Thread)	22	42507	2nd Stage Carrier Assy.
2	42407	Chuck (3350)	23	42512	Spacer
3*	42412	Screw (3) (3350) (*Torx T10)	24	42517	Planet Gear (6)
4	42417	Collar (3350)	25	42522	1st Stage Carrier
5	42422	Spindle Shaft (3350)	26	42527	Flat Washer
	44472	Spindle Shaft (K-37/38B)	27	42532	Ring Gear
6	42427	Loading Spring Washer	28	42537	Flat Washer (3350)
7	42432	Washer (2)	29	42542	Motor Assy.
8	42437	Thrust Bearing	30*	42547	Screw (*Torx T15)
9	42442	Retaining Ring (3350)	31	42552	Heat Sink
	44482	Retaining Ring (K-37/38B)	32	42557	Chuck Key (3350)
10	42447	Cam Assembly (3350)	33	42562	Latch
11	42452	Sleeve Bearing (2) (3350)	34	42567	Chuck Key Retainer (3350)
12	39717	Battery Pack (120V 60Hz)	35	42572	Switch Assy.
	41207	Battery Pack (220V) (K-37/38B)	36	39712	Charger (120V 60Hz)
13	42462	Retainer Clip		41202	Charger (220V) (K-37/38B)
14*	42467	Screw (5) (*Ton( T15)		44952	Auto Charger (12V DC)
15	42472	Wear Plate Cover (3350)	37	42582	Wave Washer (3350)
16	42477	Housing Set (3350)	38	42587	Wear Plate Main (3350)
	44492	Housing Set (K-37/38B)	39	42592	Sun Gear
17	42482	Cam Washer (3350)	40	4259T	Insulator (3350)
18	42487	Spacer (3350)	41	42602	Shield (2)
19	42492	Compression Spring (3350)	42	44487	Flange Bearing (K-37/38B)
20	42497	Clutch Plate (3350)	43	44477	Sleeve Bearing (K-37/38B)
21	42502	Clutch Assembly (3350)	44	44497	Screw (2) (K-37/38B)



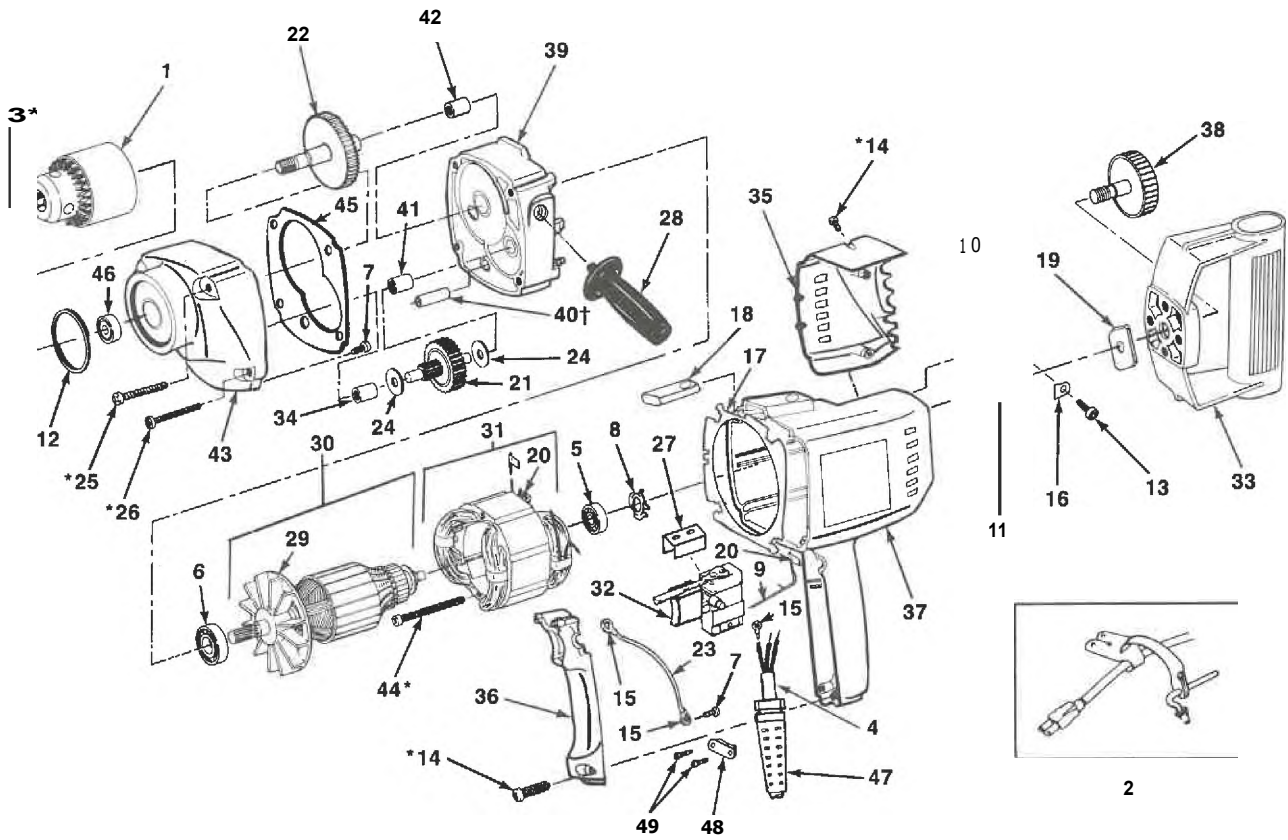
Ref. No.	Catalog No.	Description	Ref. No.	Catalog No.	Description
*1	42402	Screw (* L.H. Thread)	17	42662	Shifter
2	42407	Chuck	18	42667	Housing Set
3	42607	Spindle	19	42672	Motor Assembly
4	42612	Pin	20	42572	Switch Assembly
5	42617	Bearing	21	42557	Chuck Key
6	42442	Retaining Ring	22	42562	Latch
7	42622	Gear	23	42567	Key Retainer
8	42627	Spacer	24	42677	Snap Ring
9	42632	Gear	25	42682	Bearing
10	42637	Bearing Sleeve (2)	26	42687	Washer
11	42642	Battery Pack	27	42692	Gear
12	39712	Charger (120V)	28	42697	Shaft Assembly
	44952	Auto Charger (12V DC)	*29	42702	Screw (* Torx T15 Screw)
13	42462	Retainer Clip	30	42707	Pinion
14	42647	Adjuster Knob	31	42717	Ball (5)
*15	42467	Screw (7) (* Torx T15 Screw)	32	42722	Thermal Protector
16	42657	Pawl			



**NOTE: Order parts by Catalog Number only.  
DO NOT order by Reference Number.**



Ref. No.	Catalog No.	Description	Ref. No.	Catalog No.	Description
*1	42727	Screw (*Torx T20)	23	42862	Gasket
2	42732	Handle Cover	24	42867	Output Shaft Assy. (3400)
3	42737	Rubber Plug		42872	Output Shaft Assy. (3410)
4	42742	Switch (3400)	25	42877	Screw (3400)
	42747	Switch (3410)	26	42882	Washer (3400)
5	42752	Strain Relief	27	42887	Ball Bearing
6	42757	Cord	28	42892	Washer
*7	42762	Screw (" Torx T15)	29	42897	Int. Gear Assy.
8	42767	Cord Clamp	30	42902	Gear Housing Assy. (3400)
9	42772	Motor Housing		42907	Gear Housing Assy. (3410)
10	42777	Sleeve	*31	42912	Screw (3) (" Torx T20)
11	42782	Ball Bearing	32	42917	Side Handle Nut (3400)
12	42787	Brush & Spring Set (3400)	33	42927	Side Handle (3400)
	42792	Brush & Spring Set (3410)	34	42937	Spacer
13	42797	Reverse Lever	35	42942	Chuck & Key Set (3400)
14	42802	Rev. Switch & Brush Holder		42947	Chuck & Key Set (3410)
15	42807	Contact Set	*36	42952	Chuck Screw (3400) (" L.H. Thread)
16	42812	Stationary Contact Carrier		42957	Chuck Screw (3410) (" L.H. Thread)
17	42817	Field (3400)	37	42962	Chuck Key (3400)
	42822	Field (3410)		42967	Chuck Key (3410)
*18	42827	Screw (3400) (* Torx T15)	38	42972	Hex Bolt (3410)
	42832	Screw (3410) (* Torx T15)	39	42977	Upper Clamp (3410)
19	42837	Baffle	40	42982	Lower Clamp (3410)
20	42842	Armature (3400)	41	42992	Auxiliary Handle (3410)
	42847	Armature (3410)	42	42987	Washer (3410)
21	42442	Retaining Ring			
22	42852	Bearing Plate Assy. (3400)			
	42857	Bearing Plate Assy. (3410)			

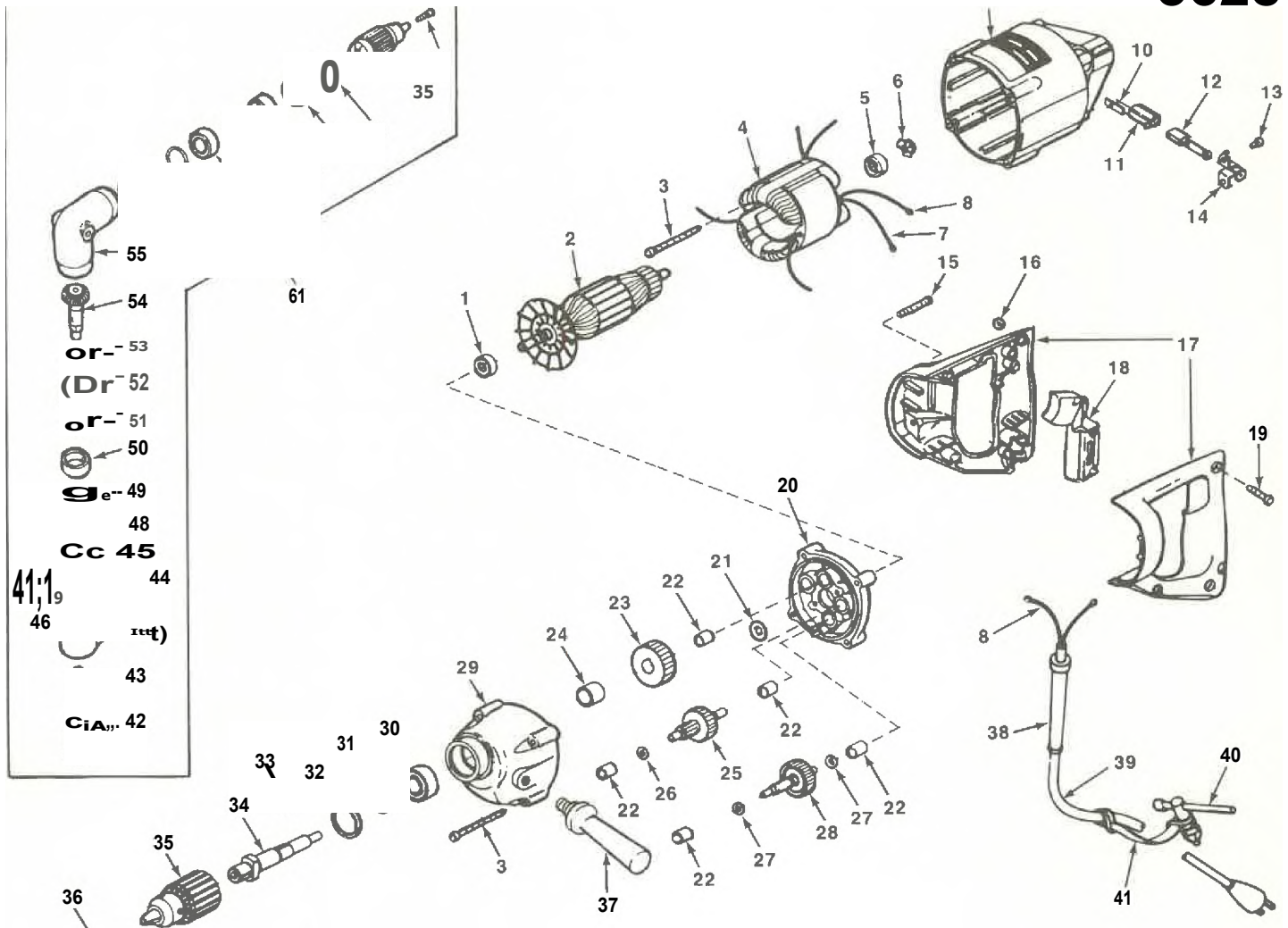


Rel. No.	Catalog No.	Description	Ref. No.	Catalog No.	Description
1	42997	Chuck & Key	*26	43122	Screw (2) (* Torx T15)
2	43002	Key & Holder	27	43127	Switch Cover
*3	43007	Screw (* L.H. Thread)	28	43132	Aux. Handle
4	43012	Cord & Cap	29	43137	Fan
5	43017	Bearing	30	43142	Armature
6	43022	Bearing	31	43147	Field
7	43027	Screw (Ground)	32	43152	Switch
8	43032	Washer	33	43157	Rear Handle
9	43037	Lead Assembly	34	43162	Bearing
10	43042	Brush Holder (2)	35	43167	Rear Cover
11	43047	Brush & Spring (2)	36	43172	Handle Cover
12	43052	Snap Ring	37	43177	Motor Housing Assembly
*13	43057	Screw (2) (*Torx T15)	38	43182	Knob Assembly
*14	43062	Screw (4) (*Torx T20)	39	43187	Bearing Plate Assembly
15	43067	Terminal	40	43192	Driv-Lok Pin
16	43072	Washer (2)	41	43197	Bearing
17	43077	Baffle	42	43202	Bearing
18	43082	Top Nut Plate	43	43207	Front Housing Assembly
19	43087	Rear Nut Plate	*44	43212	Screw (2) (* Torx T15)
20	43092	Terminal (2)	45	43217	Gasket
21	43097	Intermediate Gear Assy.	46	43222	Bearing
22	43102	Output Gear & Shaft Assembly	47	42752	Strain Relief
23	43107	Lead Assembly	48	42767	Clamp
24	43112	Washer (2)	49	43532	Screw (2)
*25	43117	Screw (2) (* Torx T15)			

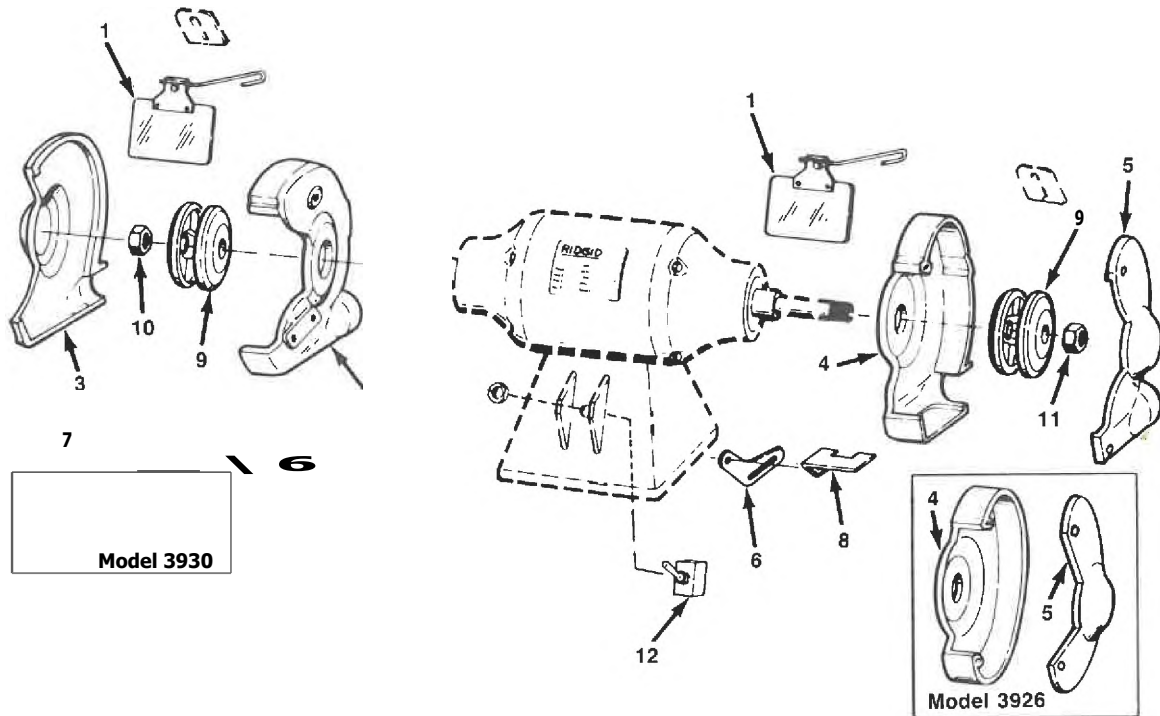
† Insert Expanded Diameter into Bearing Plate

# RIDGID Reversing D-Handle & Right Angle Drill

**3625**  
**3627**  
**3628**



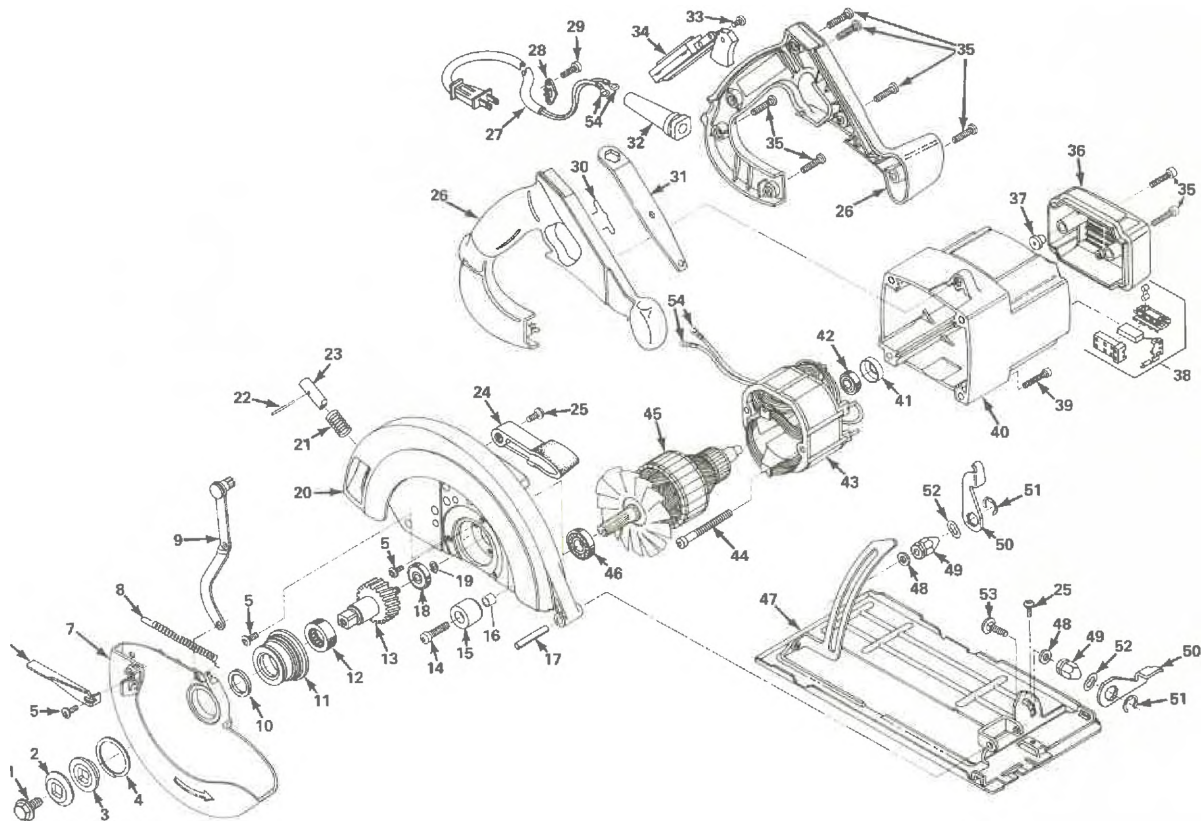
Ref. No.	Catalog No.	Description	Ref. No.	Catalog No.	Description	Ref. No.	Catalog No.	Description
1	18467	Fan End Bearing	23	18517	Gear	42	18627	Coupling
2	18417	Armature	24	18522	Spacer	43	18637	Coupling Screw 1/4-20 LH
3	18462	Screw	25	18482	Idler Assembly T-1	44	18622	Sleeve Screw
4	18422	Field		28467	Idler Assembly T-2	45	18617	Sleeve
5	18167	Comm. End Bearing	26	18547	Spacer	46	18632	Sleeve Washer
6	18172	Loading Spring	27	18487	Spacer	47	96730	Sleeve Nut
7	78650	Terminal	28	18512	Idler Assembly	48	18572	Low Speed Bearing Ring
	18457	Terminal	29	18492	Gear Housing Assy (Incl. Ref. No. 22)	49	18582	Low Speed Outer Bearing
9	18452	Motor Housing	30	18497	Ball Bearing	50	18577	Low Speed Spacer
10	18442	Brush Insulator	31	18502	Washer T-1	51	18587	Inner Ring
11	18437	Brush Holder		28472	Washer T-2	52	18592	Low Speed inner Bearing
12	18427	Brush & Spring Set	32	18507	Retaining Ring	53	18642	Shim Washer (2)
13	77695	Screw	33	74355	Key	54	18567	Low Speed Shaft/Gear T-1
14	18432	Brush Retainer	34	18527	Spindle Shaft		28487	Low Speed Shaft/Gear T-2
15	18537	Screw	35	18412	Chuck 1/2" (12.7 mm) T-1	55	18597	Body
16	44695	Nut		28477	Chuck 1/2" (12.7 mm) T-2	56	18612	High Speed Shaft/Pinion T-1
17	18542	Handle Set (Incl. Ref. No. 15, 16, 19)	36	18532	Chuck Screw T-1		28492	High Speed Shaft/Pinion T-2
18	18912	Switch	37	28482	Chuck Screw T-2	57	18592	High Speed Inner Bearing
19	18552	Screw	38	18562	Aux. Handle	58	18607	High Speed Bearing Ring
20	18472	Intermediate Housing (Incl. Ref. No. 22)	39	18557	Strain Relief	59	18602	High Speed Spacer
21	18447	Slinger	40	18142	Cord	60	18582	High Speed Outer Bearing
22	18477	Needle Bearing	41	18407	Chuck Key	61	16667	Model No. 3628 Right Angle Drive
				18267	Key Holder			



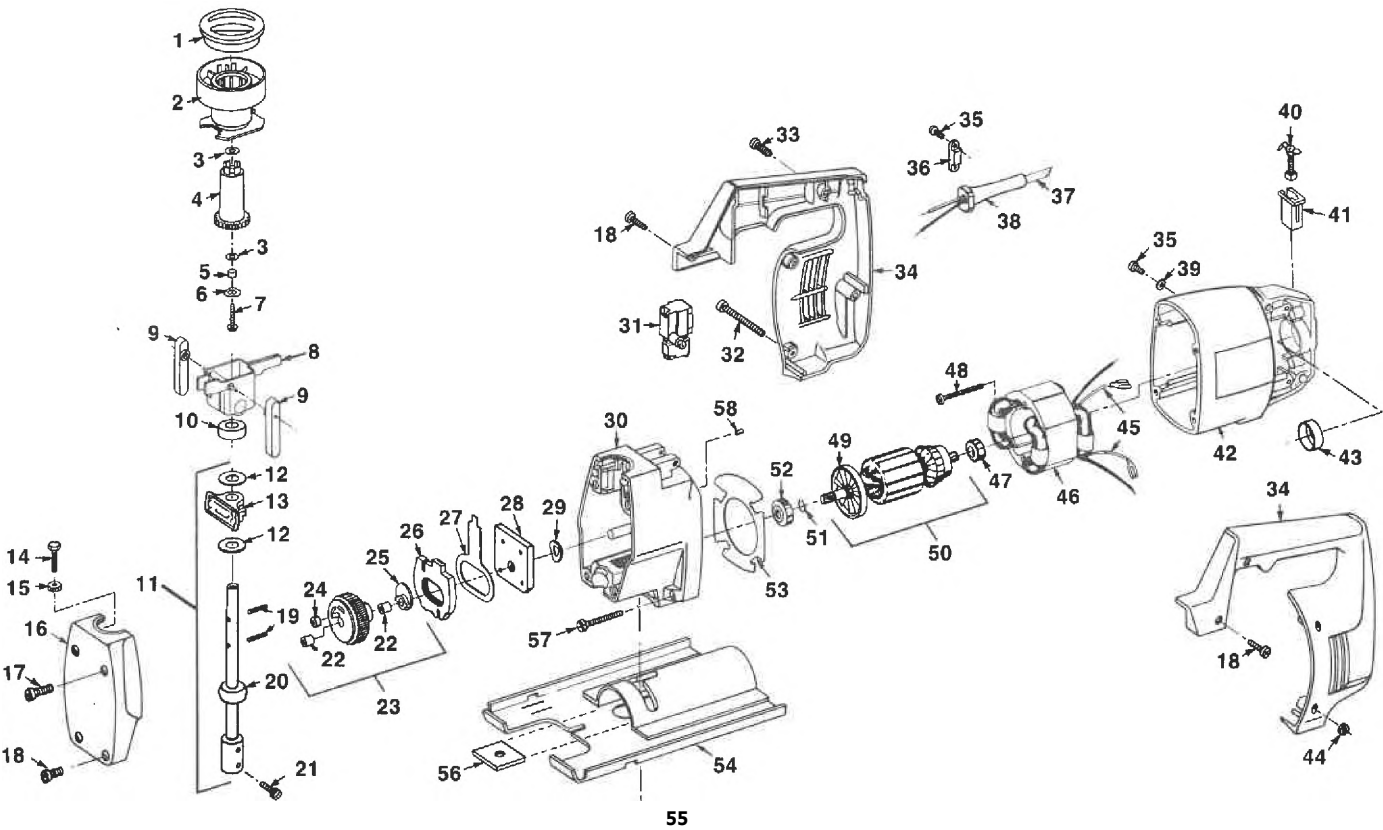
**NOTE: Order parts by Catalog Number only.  
DO NOT order by Reference Number.**

Ref. No.	Description	Model 3926 (6")	Model 3927 (7")	Model 3930 (10")
		Catalog No.%	Catalog No.	Catalog No.
2	Eyeshield, Left or Right, 1 Pair	93800	93805	93805
3	Wheel Guard, Left	93960	94000	94035
4	Guard Cover, Left	93965	94130	94140
5	Wheel Guard, Right	93960	93995	94030
6	Guard Cover, Right	93965	94005	94040
7	Tool Rest Support, Left or Right	93930	93930	94010
8	Tool Rest, Left	93940	93975	94015
9	Tool Rest, Right	93935	93970	94015
10	Wheel Flange, Inside or Outside	93945	93980	94020
11	Arbor Nut, Left	94120	94125	94135
12	Arbor Nut, Right	93950	93985	94025
	Switch	93955	93990	93990

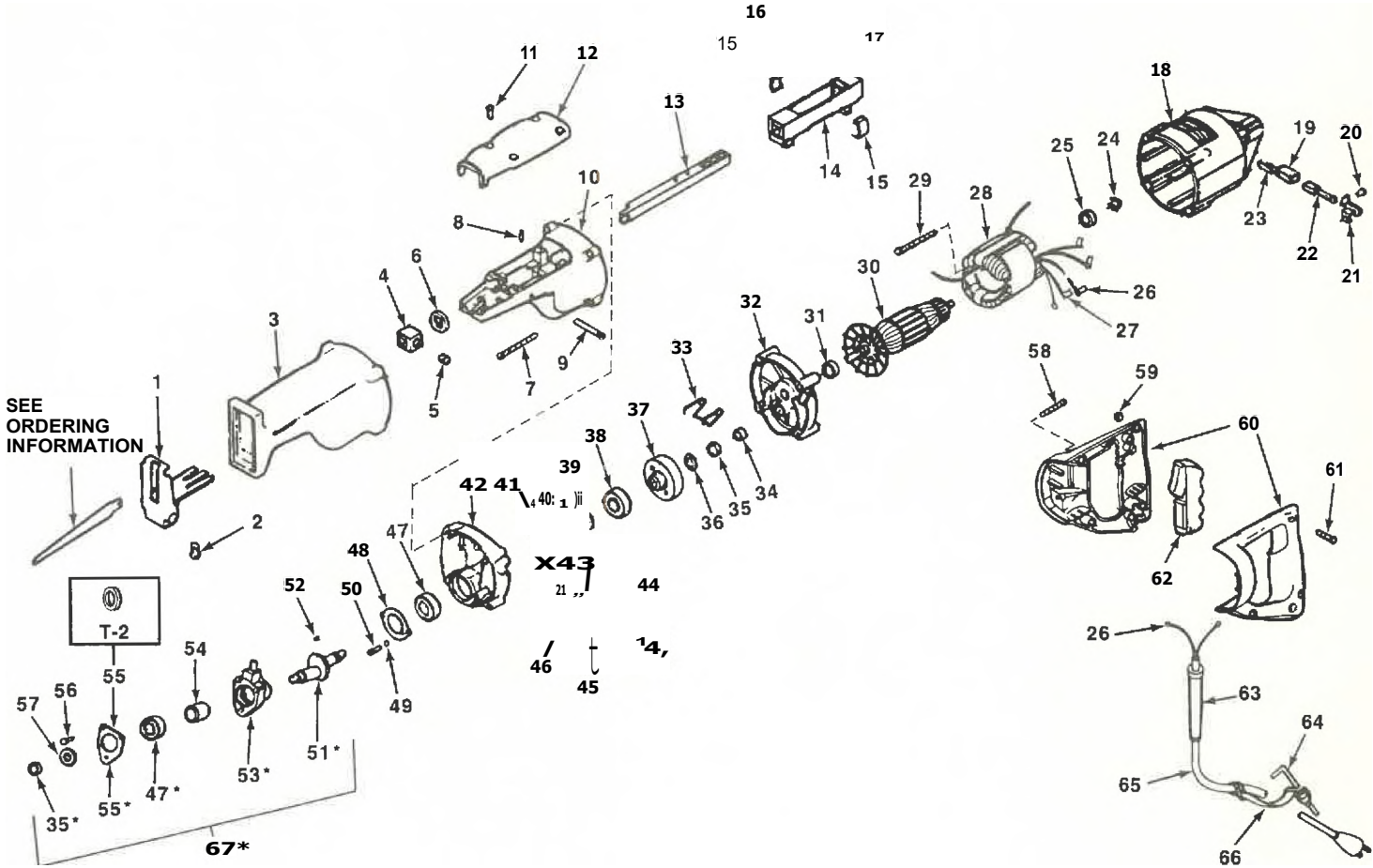
For electric motor replacement parts not shown above, consult your Yellow Pages Telephone Directory under "Electric Motors - Repairing" for the name of your nearest Baldor Authorized Service Center.



Ref. No.	Catalog No.	Description	Ref. No.	Catalog No.	Description
1	45702	Shaft Bolt	28	45837	Cord Clamp
2	45707	Outer Washer	29	45842	Screw (2)
3	45712	Inner Washer	30	45847	Clip Spring
4	45717	Retainer	31	45852	Wrench
5	45722	Screw (7)	32	42752	Strain Relief
6	45727	Lift Lever	33	45857	Screw
7	45732	Lower Guard Assy.	34	45862	Switch
8	45737	Return Spring	35	45867	Screw (8)
9	45742	Swivel Arm Assy.	36	45872	End Cap
10	45747	Felt Washer	37	45877	Bumper (2)
11	45752	Bearing Plate	38	45882	Brush & Holder Set (2)
12	45757	Bearing	39	45887	Screw (4)
13	45762	Gear & Shaft Assy.	40	45892	Motor Housing
14	45767	Screw	41	42777	Sleeve
15	45772	Stop	42	43017	Bearing
16	45777	Spacer	43	45897	Field
17	45782	Roll Pin	44	45902	Screw (2)
18	45787	Bearing	45	45907	Armature
19	45792	Retainer	46	45912	Bearing
20	45797	Front Housing Assy.	47	45917	Foot Assembly
21	45802	Spring	48	45922	Washer (2)
22	45807	Roll Pin	49	45927	Nut (2)
23	45812	Lock Pin	50	45932	Lever (2)
24	45817	Auxiliary <b>Handle</b>	51	45937	Retainer (2)
25	45822	Screw (2)	52	45942	Load Washer (2)
26	45827	L & R Handle Set	53	45947	Carriage Bolt
27	45832	Cord & Cap	54	43067	Terminal (4)

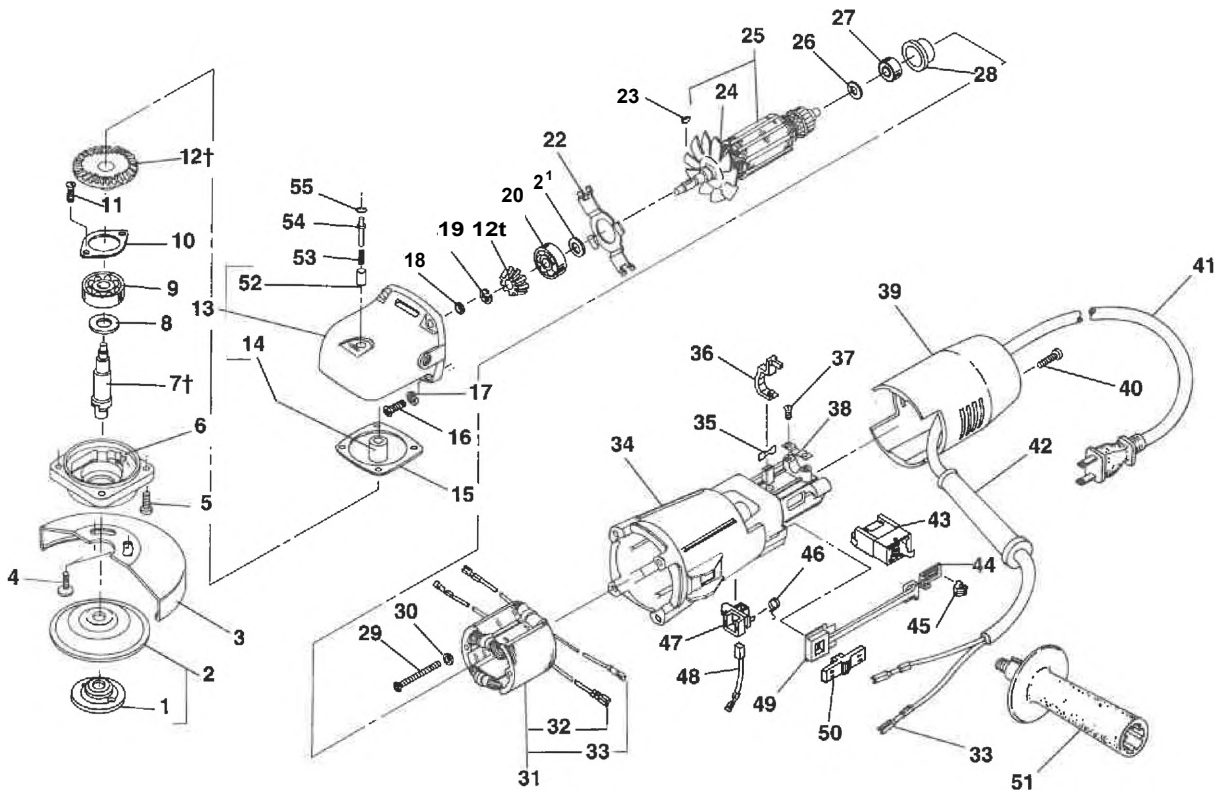


Ref. No.	Catalog No.	Description	Ref. No.	Catalog No.	Description
1	45952	Knob Cap	30	46097	Gear Housing Assy.
2	45957	Knob Base	31	46102	Switch
3	45962	Washer	32	46107	Screw (2)
4	45967	Knob Gear	33	45842	Screw (2)
5	45972	Spacer	34	46117	L & R Handle Set
6	45977	Washer	35	46122	Screw (2)
7	45982	Screw	36	42767	Cord Clamp
8	45987	Carriage Assembly	37	46127	Cord
9	45992	Bearing (2)	38	46132	Cord Guard
10	45997	Bearing	39	46142	Washer (2)
11	46002	Plunger Assy. Complete	40	46147	Brush & Spring Assy. (2)
12	46007	Washer (2)	41	46152	Brush Holder (2)
13	46012	Yoke Assembly	42	46157	Motor Housing
14	46017	Screw	43	46162	Sleeve
15	46022	Gear	44	46167	Nut (2)
16	46027	Gear Cover Assy.	45	46172	Terminal (2)
17	46032	Screw (2)	46	46177	Field
18	46037	Screw (2)	47	42682	Bearing
19	46042	Pin (2)	48	46182	Screw (2)
20	46047	Bearing	49	46192	Fan
21	46052	Screw	50	46187	Armature
22	46057	Bearing (2)	51	46202	Retainer Ring
23	46062	Gear Assembly	52	43022	Bearing
24	46067	Roller	53	46207	Baffle
25	46072	Eccentric	54	46212	Foot Assembly
26	46077	Counterweight	55	46217	Screw
27	46082	Pusher	56	46137	Clamp Plate
28	46087	Plate	57	46112	Screw (4)
29	46092	Spring Washer	58	46197	Rubber Plug



Ref. No.	Catalog No.	Description	Ref. No.	Catalog No.	Description	Ref. No.	Catalog No.	Description
1	18867	Shoe & Bracket Assy	25	18167	Comm. End Bearing	46	18762	Lift Cam
2	18872	Screw	26	18707	Terminal & Lead Assy	47	18677	Ball Bearing T-1
3	18702	Insulator Boot	27	78650	Terminal		*23447	Ball Bearing T-2, T-3
4	18692	Blade Clamp	28	18657	Field	48	18777	Retainer Plate
5	18697	Screw	29	18462	Screw	49	18257	Lockwasher
6	18862	Seal	30	18652	Armature T-1, T-2	50	18782	Screw
7	18877	Screw		28057	Armature T-3	51	18787	Drive Shaft T-1
8	18852	Screw		34132	Armature T-4		*23452	Drive Shaft T-2
9	18882	Pin	31	18467	Fan End Bearing		28092	Drive Shaft T-3
10	18857	Front Bearing Housing T-1, T-2	32	18667	Intermediate Housing T-1, T-2	52	18792	Key
	28067	Front Bearing Housing T-3		28062	Intermediate Housing T-3	53	18797	Wobble Plate T-1
11	18847	Screw	33	18712	Spring		*23457	Wobble Plate T-2
12	18842	Housing Cover	34	18672	Needle Bearing T-1, T-2		28097	Wobble Plate T-3
13	18682	Blade Carrier Assy w/Pin T-1, T-2		18167	Ball Bearing T-3	54	18802	Needle Bearing
	18687	Pin f/Blade Carrier T-1, T-2	35*	18717	Nut	55	18812	Retainer Plate T-1
	28072	Blade Carrier Assy. w/Pin T-3	36	18722	Lockwasher		*23462	Retainer Ring T-2, T-3
	28077	Pin l/Blade Carrier T-3	37	18727	Gear T-1, T-2	56	18807	Screw T-1 Only
14	18822	Support Assy T-1, 1-2		28082	Gear T-3	57	18817	Washer
	28102	Support Assy T-3		34137	Gear T-4	58	18537	Screw
15	18837	Wear Plate	38	18732	Ball Bearing	59	44695	Nut
16	18827	Felt Oiler	39	18737	Spacer	60	18542	Handle Set (Incl. Ref. No. 58, 59, 61)
17	18832	Lube Plate	40	74380	Screw	61	18552	Screw
18	18452	Motor Housing	41	18752	Spring	62	18662	Switch
19	18437	Brush Holder	42	18742	Intermed. Housing w/Pin T-1, T-2	63	18557	Strain Relief
20	77695	Screw		28087	Intermediate Housing T-3	64	46030	Blade Wrench
21	18432	Brush Retainer		18747	Locating Pin	65	18142	Cord
22	18427	Brush & Spring Set	43	18757	Spacer	66	18887	Wrench Holder
23	18442	Brush Insulator	44	18772	Shift Lever Assy	67	23467	Conversion Kit (T-1 to T-2)
24	18172	Loading Spring	45	18767	O-Ring			

\* = Parts used to make up 23467 Conversion Kit (T-1 to T-2)



Ref. No	Catalog No.	Description	Ref. No	Catalog No.	Description
1	46522	Lock Nut	29	46382	Screw (2)
2	46527	Wheel Flange Kit	30	46272	Lock Washer (2)
3	46347	Wheel Guard	31	46392	Field Assembly
4	46477	Screw (2)	32	46517	Wire Terminal (2)
5	46482	Screw (4)	33	46512	Wire Terminal (4)
6	46352	Bearing Plate	34	46397	Motor Housing
7t	46532	Spindle	35	46507	Terminal
8	46457	Washer	36	46412	Switch Retainer
9	46462	Bearing	37	46292	Screw (2)
10	46357	Retainer	38	46327	Cord Clamp
11	46487	Screw (2)	39	46447	Switch Cover
12t	46567	Gear Set	40	46497	Screw (2)
13	46557	Gear Housing Assembly	41	46562	Cord w/Plug
14	46467	Sleeve Bearing	42	46297	Cord Guard
15	46362	Shim	43	46442	Switch
16	46492	Screw (4)	44	46432	Switch Rod Link
17	46332	Lock Washer (4)	45	46437	Switch Insulator
18	46277	Nut	46	46417	Brush Spring (2)
19	46282	Lock Washer	47	46402	Brush Holder (2)
20	46472	Bearing	48	46407	Brush Assy. (2)
21	46387	Washer	49	46427	Switch Rod
22	46367	Bearing Retainer	50	46422	Switch Button
23	46267	Woodruff Key	51	46452	Side Handle Assembly
24	46377	Fan	52	46552	Collar Pin
25	46372	Armature Assy, 115V	53	46547	Spring
26	46502	Washer	54	46537	Lock Pin
27	46232	Bearing	55	46542	Retaining Ring
28	46287	Bearing Cap		46257	Spanner Wrench (Not Shown)

To remove gear from shaft, support bearing plate (Ref. 6), and push shaft down with press.



# RIDGID Dies

## Pipe Dies for Universal Die Head Nos. 504A, 711, 713, 811A, 815A and 842

Die Material or Type		(NPT)				(NPSM)			
		Nominal Pipe Size-Threads Per Inch				Nominal Pipe Size-Threads Per Inch			
		1/8"-27	1/4"-3/8"-18	1/2"-3/4"-14	1"-2"-11	1/8"-27	1/4"-3/8"-18	1/2"-1/4m-14	1"-2"-11 h
Alloy	RH	47735	47740	47745	47750	47825	47830	47835	47840
Alloy	LH		47795	47800	47805				
High-Speed	RH	47755	47760	47765	47770	47845	47850	47855	47860
High-Speed	LH		47810	47815	47820				70775
H.S. For Stainless Steel	RH	47775	47780	47785	47790				
H.S. For Cast Iron	RH				70740				
H.S. For PVC	RH			44677	70750				
H.S. For PE-Coated	RH			44689	31822				

## Pipe Dies for British Universal Die Head Nos. 504A, 811A, 815A, 856, 911 and 913

Die Material or Type		(BSPT)				(BSPP)			
		Nominal Pipe Size-Threads Per Inch				Nominal Pipe Size-Threads Per Inch			
		1/8"-28	1/4"-W-19	1/2"-3/4"-14	1"-2"-11	1/8"-28	1/4"-3/8"-19	1/2"-3/4"-14	1"-2"-11
Alloy	RH	*66655	*66660	*66665	*66670	*66680	*66685	*66690	*66695
Alloy	LH		*66720	*66725	*66730		*66735	*66740	*66745
High-Speed	RH	*66750	*66755	*66760	*66765	*66795	*66800	*66805	*66810
H.S. For Stainless Steel	RH	*66770	*66775	*66780	*66785	*66815	*66820	*66825	*66830
H.S. For PVC	RH			*70755	*70760			*70765	*70770
H.S. For PE-Coated	RH			*34007	*31837				

\* Requires British Model Die Head.

## Conduit Dies for Universal Die Heads

Die Material or Type		(ISO)	(BEC)	(Pg)					
		Nominal Conduit Size-Pitch in mm	Nominal Conduit Size-Threads Per Inch	Stahl Panzerrohr-Gewinde	Din 40430				
		16-32mm-1.5	40-63mm-1.51	1/2"-5/8"-18	3/4"-1 1/4"-16	1 1/2"-2 1/2"-14	Pg 9-16 (18 TPI)	Pg 21-42 (16 TPI)	Pg 48 (16 TPI)
Alloy	RH	50645	50650	66700	66705	66710	50635	50640	79110

## Pipe Dies for 500A Mono Die Heads

Die Material or Type		Nominal Pipe Size-Threads Per Inch								
		1/4"-27	1/4"-18	3/8"-18	1/2"-14	3/4"-14	1"-11 h	1 1/4"-11 1/2	1 1/2"-11 1/2	2"-11 1/2
(NPT)										
Alloy	RH	50655	50660	50665	50670	50675	50680	50685	50690	50695
High-Speed	RH	50700	50705	50710	50715	50720	50725	50730	50735	50740
H.S. For Stainless Steel	RH	50745	50750	50755	50760	50765	50770	50775	50780	50785
(NPSM)										
Alloy	RH	50840	50845	50850	50860	50870	50880	50890	50900	50910
High-Speed	RH		50885	50890	50895	50900	50905	50910	50915	50920
(BSPT)										
High-Speed	RH	67055	67060	67065	67070	67075	67080	67085	67090	67095

## Pipe Dies for 1/4"-3/8" Dual Die Head No. 502

Die Material or Type		(NPT)	(NPSM)	(BSPT)	(BSPP)	Use RIDGID Thread Cutting Oils
		Nominal Pipe-Threads Per Inch	Nominal Pipe-Threads Per Inch	Nominal Pipe-Threads Per Inch	Nominal Pipe-Threads Per Inch	
		1/4"-3/8"-18 TPI	1/4"-3/8"-18 TPI	1/4"-3/8"-19 TPI	1/4"-3/8"-19 TPI	
High-Speed	RH	47940	47950	67965		

# RIDGID Dies

## Pipe Dies for Nos. 514 (LH), 515 (RH), 555 (RH), and 1/2"-3/4" Dual Die Heads.

Die Material or Type		(NPT) Nominal Pipe Size- Threads Per Inch			(NPSM) Nominal Pipe Size- Threads Per Inch			(BSPT) Nominal Pipe Size- Threads Per Inch			(BSPP) Nominal Pipe Size- Threads Per Inch		
		1/2"-27	3/4"-18	1/2"-1/4"-14	1/2"-3/8"-18	3/4"-1/2"-14	1/2"-1/2"-18	3/4"-3/8"-19	1/2"-3/4"-14	1/2"-28	3/4"-3/8"-19	1/2"-3/4"-14	
Alloy	RH	47870	47875	47880	47915	47920	66950	66955	66880	66885	66890	66895	
High-Speed	RH	47885	47890	47895	47925	47930	66900	66905	66910	66925	66930	66935	
High-Speed	LH	47970	47975	47980			66650	67975	67980			67985	
H.S. For Stainless Steel	RH	47900	47905	47910				66915	66920		66940	66945	

## Pipe Dies for No. 424 Die Head

Die Material or Type		(NPT) Pipe Size-TPI		(NPSM) Pipe Size-	(BSPT) Pipe Size-	(BSPP) Pipe Size-
		2 1/2"-3 1/8"x8 TPI	3Ve-4 1/2"x8 TPI	2 1/2"-4 1/2"x8 TPI	2V2"-4 1/2"x8 TPI	2Vi-4 1/2"x8 TPI
H.S.	RH	99540	99545	94220	*94225	*94230
H.S. For PVC	RH	15257	15262	-	-	-

\* Requires British Model Die Head.

## Bolt Dies for Universal Die Head Nos. 504A, 711, 713, 811A, 815A, 842, 856, 911 and 913

Rod Size-TPI	(UNC)		Rod Size-TPI	(UNF)		Rod Size-RH TPI	(BSW)	
	RH Alloy	RH High-Speed		RH Alloy	RH High-Speed		RH Alloy	High-Speed
1/4"-20	47985	48125	1/4"-28	48065	48295	1/4"-20	*67800	*67880
1/16"-18	47990	48220	1/16"-24	48070	48300	3/16"-18	*67805	*67885
3/8"-16	47995	48225	3/8"-24	48075	48305	3/16"-16	*67810	*67890
7/16"-14	48000	48230	7/16"-20	48080	48310	7/16"-14	*67815	*67895
1/2"-13	48005	48235	1/2"-20	48085	48315	1/2"-12	*67820	*67900
9/16"-12	48010	48240	9/16"-18	48090	48320	9/16"-12	*67825	*67905
5/8"-11	48015	48245	5/8"-18	48095	48325	5/8"-11	*67830	*67910
3/4"-10	48020	48250	3/4"-16	48100	48330	3/4"-10	*67835	*67915
7/8"-9	48025	48255	7/8"-14	48105	48335	7/8"-9	*67840	*67920
1"	48030	48260	1"-14NS	48110	48340	1"-8	*67845	*67925
1 1/16"-7	48035	48265	1 1/16"-12	48115	48345	1 1/16"-7	*67850	*67930
1 1/4"-7	48040	48270	1 1/4"-12	48115	48345	1 1/4"-7	*67855	*67935
1 3/8"-6	48045	48275	1 3/8"-12	48120	48350	1 3/8"-6	*67860	*67940
1 1/2"-6	48050	48280	1 1/2"-12	48125	48355	1 1/2"-6	*67865	*67945
1 3/4"-5	48055	48285	1 3/4"-12	48130	48360	1 3/4"-5	*67870	*67950
2"-4/2	48060	48290	-	-	-	2"-4/2	*67875	*67955

\* Requires British Model Die Head.

## Bolt Dies for 500B, 531, 532, 541 and 542 Die Heads

(8 UN)		(12 UN)			(16 UN)	
Rod Size-TPI	RH High-Speed	Rod Size-TPI	RH High-Speed	LH High-Speed	Rod Size-TPI	RH High-Speed
1 1/8"-8	49215	1 1/8"-12	49270		1 3/16"-16	49375
1 1/4"-8	49220	1 1/4"-12	49275		7/16"-16	49380
1 3/8"-8	49225	1 3/8"-12	49280		1"-16	49385
1 1/2"-8	49230	1 1/2"-12	49285		1 1/8"-16	49390
1 5/8"-8	49235	1 5/8"-12	49290		1 1/4"-16	49395
1 3/4"-8	49240	N"-12	49295		1 3/8"-16	49400
1 7/16"-8	49245	1 5/16"-12	49300		1 1/2"-16	49405
2"-8	49250	1 1/2"-12	49310		1 5/8"-16	49410
2 1/8"-8	49255	1 3/4"-12	49315		1 3/4"-16	49415
2 1/4"-8	49260	1 7/8"-12	49320		1 7/8"-16	49420
2 1/2"-8	49265	1 7/8"-12	49325		1 1/2"-16	49425
-	-	1 5/8"-12	49330		1 9/16"-16	49430
-	-	1 3/4"-12	49335		1 5/8"-16	49435
-	-	1 1/2"-12	49340		1 11/16"-16	49440
-	-	2"-12	49345	49095	1 3/4"-16	49445
-	-	2 1/8"-12	49350		1 13/16"-16	49450
-	-	2 1/4"-12	49355		1 7/8"-16	49455
-	-	2 5/8"-12	49360		2"-16	49460
-	-	2 3/8"-12	70815	70825	2 1/16"-16	49465
-	-	2 7/8"-12	49365		2 1/8"-16	49470
-	-	2h/2"-12	49370		2 3/16"-16	49475
-	-	-	-		2h/4"-16	49480
-	-	-	-		2 5/8"-16	49485
-	-	-	-		2 3/4"-16	49490
-	-	-	-		2 7/8"-16	49495
-	-	-	-		2h/2"-16	49500

For use with 531, 541 and 500B 1/4"-1" Die Heads

For use with 532, 542 and 500B 1 1/8"-2" Die Heads

Use RIDGID Thread Cutting Oils

# RIDGID Dies

## Joint Dies for 500B, 531, 532, 541 and 542 Die Heads (Continued)

(UNC)				(UNF)			
Rod Size-TPI	RH Alloy	RH High-Speed	LH High-Speed	Rod Size-TPI	RH Alloy	RH High-Speed	LH High-Speed
1/4"-20	48455	48605	48910	1/2"-28	48535	48690	48995
1/2"-18	48460	48610	48915	3/8"-24	48540	48695	49000
	48465	48615	48920	1/2"-24	48545	48700	49005
3/8"-14	48470	48620	48925	7/16"-20	48550	48705	49010
1/2"-13	48475	48625	48930	1/2"-20	48555	48710	49015
3/10"-12	48480	48630	48935	5/8"-18	48560	48715	49020
1/4"-11	48485	48635	48940	5/16"-18	48565	48720	49025
N-10	48490	48640	48945	3/16"-16	48570	48725	49030
	48495	48645	48950	7/32"-14	48575	48730	49035
1"-8	48500	48650	48955	1"-12	48580	48735	49040
1 1/8"-7	48505	48655	48960	1"-14NS	49700	49305	49090
1 1/4"-7	48510	48660	48965	1 1/8"-12	48585	48740	49045
1 3/8"-6	48515	48665	48970	1 1/2"-12	48590	48745	49050
1 1/2"-6	48520	48670	48975	1 3/8"-12	48595	48750	49055
1 1/4"-5	48525	48675	48980	1 1/2"-12	48600	48755	49060
2"-4 1/2	48530	48680	48985				

For use with 531, 541 and 500B 1/4"-1" Die Heads

For use with 532, 542 and 500B 1 1/8"-2" Die Heads

(BSW)		(BSF)	
Rod Size-TPI	RH Alloy	RH High-Speed	RH High-Speed
1/4"-20	67365	67605	67695
5/16"-18	67370	67610	67700
3/8"-16	67375	67615	67705
7/16"-14	67380	67620	67710
1/2"-12	67385	67625	67715
5/8"-12	67390	67630	67720
3/8"-11	67395	67635	67725
1/4"-10	67400	67640	67730
7/8"-9	67405	67645	67735
1"-8	67410	67650	67740
1 1/8"-7	67415	67655	67745
1 1/4"-7	67420	67660	67750
1 3/8"-6	67425	67665	67755
1 1/2"-6	67430	67670	67760
1 3/4"-5	67435	67675	67765
1 1/2"-5	67440	67680	67770
1 7/8"-4 1/2	67445	67685	67775
2"-4 1/2	67450	67690	

Use RIDGID Thread Cutting  
For use with 531, 541 and 500B 1/4"-1" Die Heads

For use with 532, 542 and 500B 1 1/8"-2" Die Heads

Acme			(Si.) Series A Metric			Series B Metric (ISO) International Stands. Organ.					
Rod Size-TPI	RH High-Speed	LH High-Speed	Rod Size-Thread Pitch In. mm	RH Alloy	RH High-Speed	LH High-Speed	Rod Size-Thread Pitch In. mm	RH High-Speed	Rod Size-Thread Pitch In. mm	RH Alloy	RH High-Speed
3/8"-12	49660		M6-1.0	50215	49795	49845	M6-0.75 F	76335	M7-1.0	49960	50040
1/2"-12	49665		M7-1.0	50220	49800	49850	M7-0.75	85860	M8-1.25	49965	50045
3/4"-10	49655	49190	M8-1.25	50225	49805	49855	M8-1.0	50555	M9-1.25	49970	50050
1"-8	49640	49180	M9-1.25	50230	49810	49860	M9-1.0	76345	M10-1.5	49975	50055
1 1/8"-6		49200	M10-1.5	50235	49815	49865	M10-1.0	50560	M11-1.5	49980	50060
1 1/4"-5	49575		M11-1.5	50240	49820	49870	M11-1.0	50565	M12-1.75	49985	50065
1 3/8"-5	49610	49165	M12-1.75	50245	49825	49875	M12-1.5	86865	M12-2.5	49990	50070
1 1/2"-5	49580		M14-2.0	50250	49830	49880	M14-1.5	50570	M14-2.0	49995	50075
1 3/4"-4	49615	49170	M16-2.0	50255	49835	49885	M16-1.5	50575	M16-2.0	50000	50080
1 7/8"-4	49645	49185	M18-2.5	50260	49840	49890	M18-1.5	50580	M18-2.5	50005	50085
2"-4	49620	49175	M20-2.5	50265	50480	49895	M20-1.5	50585	M20-2.5	50010	50090
2 1/4"-3	49530		M22-2.5	50270	50485	49900	M22-1.5	50590	M22-2.5	50015	50095
2 3/8"-3	49595	49155	M24-3.0	50275	50490	49905	M24-2.0	85870	M24-3.0	50020	50100
2 1/2"-3	49625		M25-3.0	50280	50495		M25-2.0	76365	M27-3.0	50025	50105
2 3/4"-3	49590		M26-3.0	50285			M26-2.0	85875	M30-3.5	50030	50110
3"-3	49585		M27-3.0	50290	50500	49910	M27-2.0	70805	M33-3.5	50035	50115
3 1/4"-3	49535		M30-3.5	50295	50505	49915	M30-2.0	50595	M36-4.0		50120
3 1/2"-3	49600	49160	M33-3.5	50300	50510	49920			M39-4.0		50125
3 3/4"-3	49630		M36-4.0	50305	50515	49925			M42-4.5		50130
4"-3	49540		M39-4.0	50310	50520	49930			M45-4.5		50135
4 1/4"-3	49545	49140	M42-4.5	50315	50525	49935			M48-5.0		50140
4 1/2"-3	49605		M45-4.5	50320	50530	49940			M52-5.0		50145
4 3/4"-3	49635		M48-5.0	50330	50540	49945					
5"-3	49650		M50-5.0		50545	49950					
5 1/4"-3		49195	M52-5.0	50335	50550	49955					
5 1/2"-3	49550	49145									
5 3/4"-3	49555										
6"-3	49560	49150									

For use with 531, 541 and 500B 1/4"-1" Die Heads

For use with 532, 542 and 500B 1 1/8"-2" Die Heads

\* For metric high-speed rebar dies, Series B, ISO, see price list.



# RIDGID Authorized Service Centers

September 1991

## ALABAMA

**BIRMINGHAM**, Power Tool Service, Inc.  
1113 4th Ave. S., **35233**  
(205) 323-4311

## ALASKA

**ANCHORAGE**, Alaska Tool & Equipment Service  
3207 Arctic Blvd., **99503**  
(907) 562-6151

## ARIZONA

**PHOENIX**, Glenn's Tool Service  
4036 N. 13th Way, **85014**  
(602) 264-6203

**TUCSON**, Western Tool, Inc.  
1665 E. 18th, Suite 118, **85719**  
(602) 884-0504

## ARKANSAS

**LITTLE ROCK**, Clark Hydraulic Service  
2901 Confederate Blvd, **72206**  
(501) 375-1252

## CALIFORNIA

**FRESNO**, Kimmerle Brothers, Inc.  
337 M St., **93721**  
(209) 233-1278

**(LOS ANGELES) SANTA FE SPRINGS**,  
Kimmerle Brothers, Inc.  
12060 Florence Ave., **90670**  
(213) 946-6771 or  
(714) 523-1560

**(LOS ANGELES) N. HOLLYWOOD**,  
Bucknall Power Tool Service  
11910 Vose St., **91605**  
(818) 765-0228  
(213) 875-1574

**SACRAMENTO**, CISCO Air Systems, Inc.  
1211 "C" St., **95814**  
(916) 444-2525

**SAN DIEGO**, Best Impact Service  
980-B Buenos Ave., **92110**  
(619) 276-3887

**SO. SAN FRANCISCO**, C. H. Bull Company  
233 Utah Ave., **94080**  
(415) 871-8440

## COLORADO

**DENVER**, Bartell Tool Service, Inc.  
1448 W. Cedar Ave., **80223**  
(303) 777-5463

## CONNECTICUT

**EAST HARTFORD**, JJK Repair Inc.  
75 Charles St., **06108**  
(203) 289-2727

**STRATFORD**, Electric Enterprise  
1410 Stratford Ave., **06497**  
(203) 378-7311

## FLORIDA

**JACKSONVILLE**, Cameron & Barkley  
10200 Alton Box Rd.  
P. O. Box 26879, **32218**  
(904) 757-0211

**(MIAMI) HIALEAH**, Creation Tool Co.  
3865 E. Fourth Avenue, **33013**  
(305) 836-7488

**ORLANDO**, Florida Electric Motor Service  
1128 Atlanta Ave., **321306**  
(407) 425-8160

**PENNSACOLA**, Escambia Electric Motor Service  
1101 W. Main, **32501**  
(904) 432-1577

**TAMPA**, Mylee Tool Supply  
2905 W. Kennedy Blvd., **33609**  
(813) 877-0509

## GEORGIA

**ATLANTA**, Boggs Supply, Inc.  
1310 White St., S.W., **30310**  
(404) 758-6321

**ATLANTA**, Power Tool Service Co.  
249 Simpson St., N.W., **30313**  
(404) 524-0202

## IDAHO

**BOISE**, K.C. Supply Company  
5103 Irving St., **83704**  
(208) 375-1133

## ILLINOIS

**CHICAGO**, Allan J. Coleman Co.  
3747 N. Clark, **60613**  
(312) 929-0909

**(CHICAGO) BERWYN**, Jacks' Inc.  
6642 W. 26th St., **60402**  
(708) 788-4300

**(CHICAGO) ELK GROVE VILLAGE**  
Brock Tool Company  
1475 Louis St., **60007**  
(708) 956-7200

**(CHICAGO) McCOOK**, Rocco Tool  
8805 Joliet, **60525**  
(708) 442-7850

## INDIANA

**EAST CHICAGO**, Calumet Contractors Supply Co., Inc.  
2120 E. Columbus Dr., **46312**  
(219) 398-0017

**EVANSVILLE**, Tri State Repair Service  
1327 N. Fares Ave. (Bus., Hiway 41 N.), **47711**  
(812) 464-9341

**FORT WAYNE**, Wagner Electric of Fort Wayne, Inc.  
3610 N. Clinton St., **46805**  
,(219) 484-5532

**INDIANAPOLIS**, Anderson Brothers Tool Co.  
3531 Southeastern Ave., **46203**  
(317) 356-6381

## IOWA

**DAVENPORT**, Alter & Sons  
514 S. Howell Street, **52805**  
(319) 323-3601

**DAVENPORT**, Five Cities Tool Service  
921 S. Rolff St., **52802**  
(319) 322-7068

**DES MOINES**  
Iowa Industrial Products, Inc.  
2600 Delaware, **50317**  
(515) 265-4281

## KANSAS

**KANSAS CITY**, Acme Hydraulics, Inc.  
716 Kansas Ave., **66105**  
(913) 321-6385

## KENTUCKY

**LEXINGTON**, City Electric Motor Co.  
631 Kennedy Rd., **40505**  
(606) 254-5581

**LOUISVILLE**, Bailey Tools & Supply  
1418 S. Shelby, **40217**  
(502) 635-6348

## LOUISIANA

**BATON ROUGE**, Power Tool Repair Service, Inc.  
2025 Scenic Highway, **70802**  
(504) 356-2234

**NEW ORLEANS**, Beerman Precision, Inc.  
4206 Howard Ave., **70125**  
(504) 486-9391

## MARYLAND

**BALTIMORE**, Tool Repair Unlimited  
1200 66th St., **21237**  
(301) 483-4300

**GAITHERSBURG**, Standard Supplies, Inc.  
4 Meem Ave., **20877**  
(301) 590-1752

## MASSACHUSETTS

**EVERETT**, Panda Electrical Service, Inc.  
165 Main St., **02149**  
(617) 389-1442

**SPRINGFIELD**, Block Hydraulic, Inc.  
321 Albany St., **01105**  
(413) 734-3492

## MICHIGAN

**ANN ARBOR**, McCally Tool  
2455 S. Industrial, Suite "B", **48104**  
(313) 747-8332

**DETROIT**, City Wide Tool Service  
18539 W. 8 Mile Rd., **48219**  
(313) 538-7040

**(DETROIT) LIVONIA**, Brock Tool  
31090 Industrial Rd., **48151**  
(313) 261-9333

**(DETROIT) ROCHESTER HILLS**  
Quality Tool Supply and Repair, Inc.  
2248 Star Ct., Bldg. 6, **48057**  
(313) 652-8660

**ESCANABA, B & Tool Service & Supply, Inc.**  
1650 — 17.4 Rd., **49829**  
(906) 786-0512

**GRAND RAPIDS**, J. T. Hoeksema Tool Co.  
2499 28th St., S.W., **49509**  
(616) 538-1870

## MINNESOTA

**ST. PAUL**, Total Tool Supply Company  
315 N. Pierce St., **55104**  
(612) 646-4055

## MISSISSIPPI

**JACKSON**, Flannigan Electric Co., Inc.  
1820 S.W. St., Extension, **39204**  
(601) 354-2756

## MISSOURI

**KANSAS CITY**, Construction & Ind., Sup., Co. (CISCO)  
1821 McGee St., **64108**  
(816) 842-7777  
(800) 444-0453

**ST. LOUIS**, PM Electric Co., Inc.  
5280 Fyler Ave., **63139**  
(314) 351-4550

## MONTANA

**BILLINGS**, Ted's Electric Service  
133 Moore Lane, 59101  
(406) 259-6418

## NEBRASKA

**LINCOLN**, The Tool House of Henkle & Joyce  
800 Q Street, **68501**  
(402) 474-5322

**OMAHA**, Thacker Electric  
8507 I St., **68127-1615**  
(402) 592-9433

## NEVADA

**LAS VEGAS**, Tool Service, Inc.  
3239 Industrial Rd., **89109**  
(702) 734-9161

**(RENO) SPARKS**, Industrial Electric Co.  
340 Kresge Ln., #B, **89431**  
(702) 331-1032

## NEW JERSEY

**(NEWARK) CLIFTON**, The Tool Box  
119 Lakeview Ave., **07011**  
(201) 340-7652

**(ELIZABETH) KENILWORTH**, Air & Electric Tool Service  
215 N. 8th St., **07033**  
(201) 272-5567

## NEW MEXICO

**ALBUQUERQUE**, J-M Tool Repair Co.  
320 Florida S.F., **87108**  
(505) 255-2304

## NEW YORK

**(ALBANY) RENSSELAER**,  
Albany Hydraulic & Lube Service, inc.  
98A Columbia Turnpike, **12144**  
(518) 462-5425

**BRONX**, Modern Suppliers, Inc.  
1090 Leggett Ave., **10474**  
(212) 328-8000

**BUFFALO**, S.S. Electric Repair Shop, Inc.  
2470 Seneca St, **14210**  
(716) 823-1232

**(LONG ISLAND) AMITYVILLE**, Dependable Repair, Inc.  
18 Ranick Dr., W., **11701**  
(516) 842-0700

**(N.Y.C.) BROOKLYN**, J & A Repair Shop  
6213 20th Ave., **11204**  
(718) 232-5746  
(718) 232-8409

For further information, contact: RIDGE TOOL COMPANY, Technical Service Dept., 400 Clark St., Elyria, Ohio 44036-2023, U.S.A.  
Technical Service (216) 329-4800 FAX (216) 323-5204 Cable:RIDGETOOL

# RIDGID Authorized Service Centers (cont.)

**(N.Y.C.) BROOKLYN**, The White Tool & Supply, Inc.  
3047-51 Atlantic Ave., **11208**  
(718) 277-8844

**(N.Y.C.) PORT CHESTER**, Maid Tool & Equipment  
21 Abendroth Ave., **10573**  
(914) 937-1771

**SYRACUSE**, Syracuse Armature  
1622 Burnet Ave., **13206**  
(315) 476-2576/476-2596

## NORTH CAROLINA

**CHARLOTTE**, Portable Tool Service  
3209 Cullman Ave., **28206**  
(704) 332-3578

**GREENSBORO**, ENSCO  
827 Norwalk St., **27407**  
(919) 294-1544

## OHIO

**CINCINNATI**, Cincinnati Armature Works, Inc.  
6516 Wiehe Rd., **45237**  
(513) 631-3020

**CLEVELAND**, A & A Hydraulic Repair Co.  
2735 Scranton Rd., **44113**  
(800) 992-9898 (Ohio Only)  
(216) 621-1133

**(CLEVELAND) ELYRIA**, RIDGID Factory Service Ctr.  
321 Sumner St., **44036-2023**  
(216) 323-5581

**COLUMBUS**, Central Ohio Power Tool, Inc.  
532 W. Rich St., **43215**  
(614) 224-8665

**DAYTON**, M & R Electric Motor Service  
1516 East Fifth St., **45403**  
(513) 222-6282

## OKLAHOMA

**OKLAHOMA CITY**, Commercial Tool Repair, Inc.  
2114 W. Reno, **73107**  
(405) 232-2158

**TULSA**, Air & Electric Industrial Tool & Supply  
1515 South Utica, **74104**  
(918) 744-1515

## OREGON

**PORTLAND**, Karn Repair Service  
1215 S. W. 16th Ave., **97205**  
(503) 228-8313

## PENNSYLVANIA

**(HARRISBURG) MECHANICSBURG**,  
Power Tool Service Company  
34 West Allen St., **17055**  
(717) 697-8233

**(PHILADELPHIA) ABINGTON**, Repair Unlimited, Inc.  
1730 Rockwell Rd., 19001  
(215) 657-3335

**PITTSBURGH**, Construction Tool Service  
3500 Liberty Ave., **15201**  
(412) 681-6673

**(PITTSBURGH) MONROEVILLE**, Professional Tool Servi  
700 Seco Rd., Bldg. #1, **15146**  
(412) 373-7440

## PUERTO RICO

**CAPARRA HEIGHTS**, Isla Repair Services Corp.  
P. O. Box P, **00922**  
(809) 765-7225  
(809) 761-7355

## RHODE ISLAND

**(PROVIDENCE) WARWICK**, Electric Motor Service, Inc.  
3070 Post Rd., **02887**  
(401) 737-2534

## SOUTH CAROLINA

**COLUMBIA**, Mann Electric Repair Co.  
3600 Main St., **29203**  
(803) 252-7777

**GREENVILLE**, American Equipment Company  
2106 Anderson Road, **29602**  
(803) 282-5400

**GREENVILLE**, Service Repair Co., Inc.  
15 Hyde St., **29602**  
(803) 242-5893

## TENNESSEE

**KNOXVILLE**, Tennessee Armature & Electric Co., Inc.  
312 W. Jackson Ave., **37901**  
(615) 524-3681

**MEMPHIS**, Jones Tool Service  
1314 Madison Ave., **38104**  
(901) 726-0191/0195

**NASHVILLE**, Hermitage Tool, Inc.  
947 4th Ave., S., **37210**  
(615) 254-0820

## TEXAS

**AUSTIN**, Austin Tool, Inc.  
4303 Willow Springs Rd., **78745**  
(512) 447-4905

**CORPUS CHRISTI**, Bush Hydraulics  
2012 North Lexington Blvd., **78409**  
(512) 289-0441

**DALLAS**, Big D Tool Center, Inc.  
1225 N. Industrial Blvd., **75207**  
(214) 747-0056

**HOUSTON**, Hydraulic Equipment Service Co.  
1021 N. San Jacinto St., **77002**  
(713) 228-9601

**HOUSTON**, Tool Mart, Inc.  
2412 Texas Ave., **77003**  
(713) 222-8665

**LUBBOCK**, Lubbock Electric Company, Inc.  
1108 34th St., **79405**  
(806) 744-2336

**ODESSA**, Engine Service & Supply Company  
1902 N. Grant, **79760**  
(915) 337-2386

**SAN ANTONIO**, Electric Motor Service & Sales  
1514 E. Commerce, **78205**  
(512) 226-3462

## UTAH

**SALT LAKE CITY**, Diamond Electric Motor Repair  
1465 South 300 West, **84115**  
(801) 484-4325

## VIRGINIA

**NORFOLK**, Bryan Electric Company, Inc.  
424 W. 25th St., **23517**  
(804) 625-0378

**RICHMOND**, Roy's Electric Motor Service  
3201 Norfolk St., **23230**  
(804) 355-5713

## WASHINGTON

**SPOKANE**, Safway Repair Company  
1503 E. Riverside, **99202**  
(509) 535-9841

**TACOMA**, Center Electric Co.  
1212 S. 30th St., **98409**  
(206) 383-4416

**SEATTLE**, Poppleton Electric & Machinery Co., Inc.  
5201 1st Ave., S., **98108**  
(206) 762-9160

## WEST VIRGINIA

**HUNTINGTON**, Lawter Electric Motor Co.  
202 Adams Ave, 25701  
(304) 522-8297

## WISCONSIN

**GREEN BAY**, Power Tool Service  
310 N. Webster Ave., **54301**  
(414) 437-2594

**(MILWAUKEE) WEST ALLIS**, Harris Calorific Sales  
9030 W. Schlinger Ave., **53214**  
(414) 258-7915

**WAUKESHA**, Jensen Equipment Co., Inc.  
831 Philip Dr., **53186**  
(414) 547-5548

## WYOMING

**CASPER**, E & H Industrial Supplies, Inc.  
7072 Salt Creek Rd., Box 7, **82601**  
(307) 235-1589

## CANADA

### ALBERTA

**CALGARY**, K & M Saw Sharpening and Power Tool Repair  
Bay 7, 5508 1st St., S.E., **T2H 2W9**  
(403) 255-2282

**EDMONTON**, Century Sales & Service  
4810 - 92 Ave., **T6B 2L6**  
(403) 468-3366

### BRITISH COLUMBIA

**VANCOUVER**, Armature Electric Ltd.  
275 West 4th Ave., **V5Y 1G8**  
(604) 879-6141

### MANITOBA

**WINNIPEG**, Westburne Industrial Enterprises Ltd.  
1300 St. Matthews Ave., **R3G 3K4**  
(204) 786-7861

### NEW BRUNSWICK

**MONCTON**, Moncton Electric Motor Service Ltd.  
345 Collishaw St., **E1C 8H7**  
(506) 859-7505

### NEW FOUNDLAND

**ST. JOHN'S**, Heap-Nosworthy Ltd.  
87 O'Leary Ave., **A1B 4O2**  
(709) 722-1420

### NOVA SCOTIA

**(HALIFAX) DARTMOUTH**, Seaboard Industrial Supply  
81 Wright Ave., **B3B 1H4**  
(902) 849-4534

### ONTARIO

**LONDON**, A. C. Jenkins Electric Repair Ltd.  
1188 Frances St., **NSW 2M1**  
(519) 451-4020

**OTTAWA**, Mytek Power Tools Service  
101-2555 Blackwell St., **K1B 4E4**  
(613) 749-7294

**(HAMILTON) STONEY CREEK**,  
Charles Jones Industrial Ltd.,  
237 Arvin Ave., **LBE 2L9**  
(416) 561-5892

**SARNIA**, Serv-A-Tool & Repairs  
866 Philip St., Unit F, **NTT 1Z6**  
(519) 344-8837

**SUDBURY**, Northern Power Tool Centre Ltd.  
878 Newgate Ave., **P3A 5J9**  
(705) 566-2001

### (TORONTO) WESTON

Pipe Tools Repair & Service Centre Ltd.  
114 Rivalda Rd., Unit **M9M 2M8**  
(416) 749-5830

### QUEBEC

**QUEBEC CITY**, Clinique D'Outilage MP, Inc.  
1550 Du Grand Tronc, **GIN 4E9**  
(418) 682-0841

**MONTREAL**, Leger Hoist Equipment, Inc.  
7995 17th Ave., **H1Z 3R2**  
(514) 376-3050

**(MONTREAL) LAVAL**,  
Centre de Reparations Hydrauliques Uptown Ltee  
464 St. Hubert, **H7G 2Y9**  
(514) 387-6143 or 387-7566

**SHERBROOKE**, Do-Mar Electric Inc.  
1136 rue King Est, **J1G 1E4**  
(819) 563-2234



## **RIDGID Lifetime Warranty**

The RIDGE REPUTATION is the result of consistent product quality and years of pride in workmanship. Rigorous checks and controls from raw materials to packaged products insure product confidence widely accepted as the mark of the professional trades. Therefore, RIDGID covers its products with a LIFETIME WARRANTY against defects in material or workmanship. Pipe or drain cleaning tools, rods and cable, are not covered by this warranty and are considered expendable material. To take advantage of this warranty, the complete product must be delivered prepaid to RIDGE TOOL COMPANY or any RIDGID AUTHORIZED SERVICE CENTER. Pipe wrenches and other hand tools should be returned to place of purchase. Obviously, failures due to misuse, abuse, or normal wear and tear are not covered by this warranty. NO OTHER WARRANTY, WRITTEN OR ORAL, APPLIES. No employee, agent, dealer, or other person is authorized to give any warranty on behalf of Ridge Tool Company. Warranted products will be repaired or replaced, at our option, at no charge to you and returned to you via pre-paid transportation. Such replacement or repair is the exclusive remedy available from Ridge. Ridge is not liable for damage of any sort, including incidental and consequential damages. Some U.S.A. states do not allow the exclusion or limitation of incidental or consequential damages, so the above limitation or exclusion may not apply. This warranty gives you specific legal rights, and you may have other rights which vary from state to state

**I**<sup>111</sup><sub>23</sub> Ridge Tool Subsidiary  
Emerson Electric Co.

**I:MIER517N**®